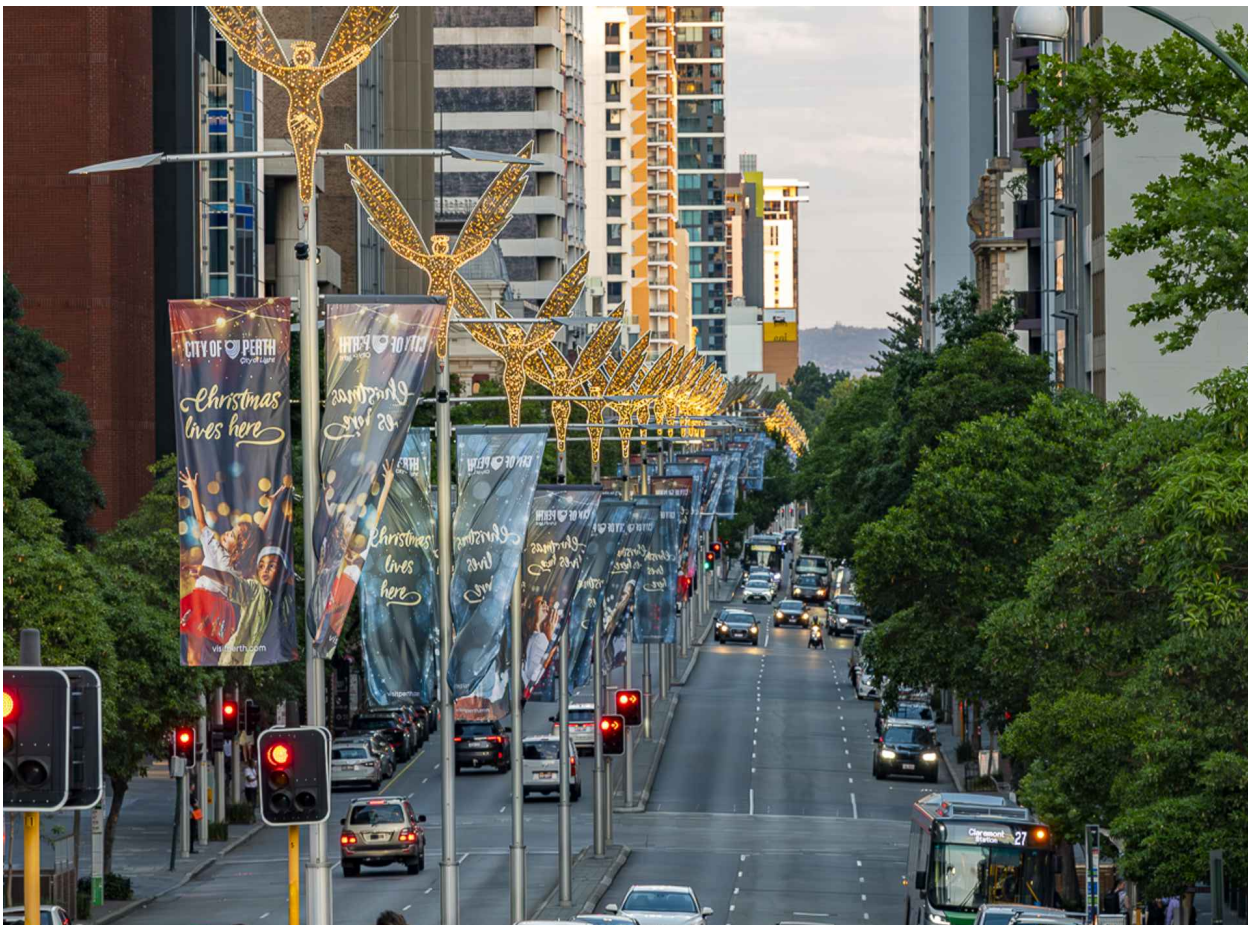


CITY OF PERTH

DESIGN & CONSTRUCTION NOTES

BOOK 900

BANNERS AND FLAGS SPECIFICATIONS



REV	DATE	AMENDMENT
3.5	09/05/2025	REVIEWED, UPDATED AND RE-ISSUED FOR USE
3.6	15/08/2025	REVIEWED, UPDATED AND RE-ISSUED FOR USE
3.7	04/11/2025	PAGE 901.04 REVIEWED, UPDATED AND RE-ISSUED FOR USE

DISCLAIMER:

THIS DOCUMENT HAS BEEN PREPARED BY THE CITY OF PERTH AND IS SUBJECT TO CHANGE. IT IS THE RESPONSIBILITY OF THE USER TO ENSURE THAT DESIGN AND CONSTRUCTION NOTE HAS NO FURTHER REVISIONS BY CHECKING <https://perth.wa.gov.au/en/building-and-planning/building-and-works/building-and-construction-notes>

INDEX

900.00	COVER PAGE
900.01	INDEX
900.02	GENERAL NOTES
901.01	LARGE FABRIC BANNER - TYPE 1
901.02	LARGE FABRIC BANNER - TYPE 2
901.03	LARGE FABRIC BANNER - TYPE 3
901.04	MEDIUM FABRIC BANNER
901.05	SMALL FABRIC BANNER - TYPE 1
901.06	SMALL FABRIC BANNER - TYPE 2 (a) (b)
901.07	FABRIC FLAG
901.08	SMALL DOUBLE SIDED VINYL BANNER
901.09	DOUBLE SIDED VINYL BANNER - TYPE 1
901.10	DOUBLE SIDED VINYL BANNER - TYPE 2
901.11	TRIANGULAR VINYL BANNER
901.12	STREET-WIDE VINYL BANNER

1. Fabric Banners and Flags: we recommend using a heavy weight trilobal cloth. Printing on trilobal, ink may need to be tested and set to penetrate the cloth material.
2. Vinyl Banners: must use a heavy duty vinyl material, to guard against strong winds.
3. All banners and flags: must be produced to withstand wind speeds of a minimum 110 km/h.
4. Printing should be run at a high pass.
5. **All banners and flags must include a Design Reference/Site Key, including the relevant site code and design number (where 2 or more designs are in use), in the top left corner of the each banner and flag.**
6. It is recommended to produce 1-3 spares per site, excluding S1: 901.09 Street-Wide Vinyl Banner.
7. Fabric Banners and Flags: folded in groups of 4, with the Design Reference/Site Key at the top.
8. Vinyl Banners: rolled individually or up-to 4 per roll, with the Design Reference/Site Key at the top.
9. For banner site changing, refer to the City of Perth Banner and Flag Hire - Guidelines.
10. Refer to the City of Perth Banner and Flag Hire - Guidelines for further information.

LARGE FABRIC BANNER - TYPE 1

901.01

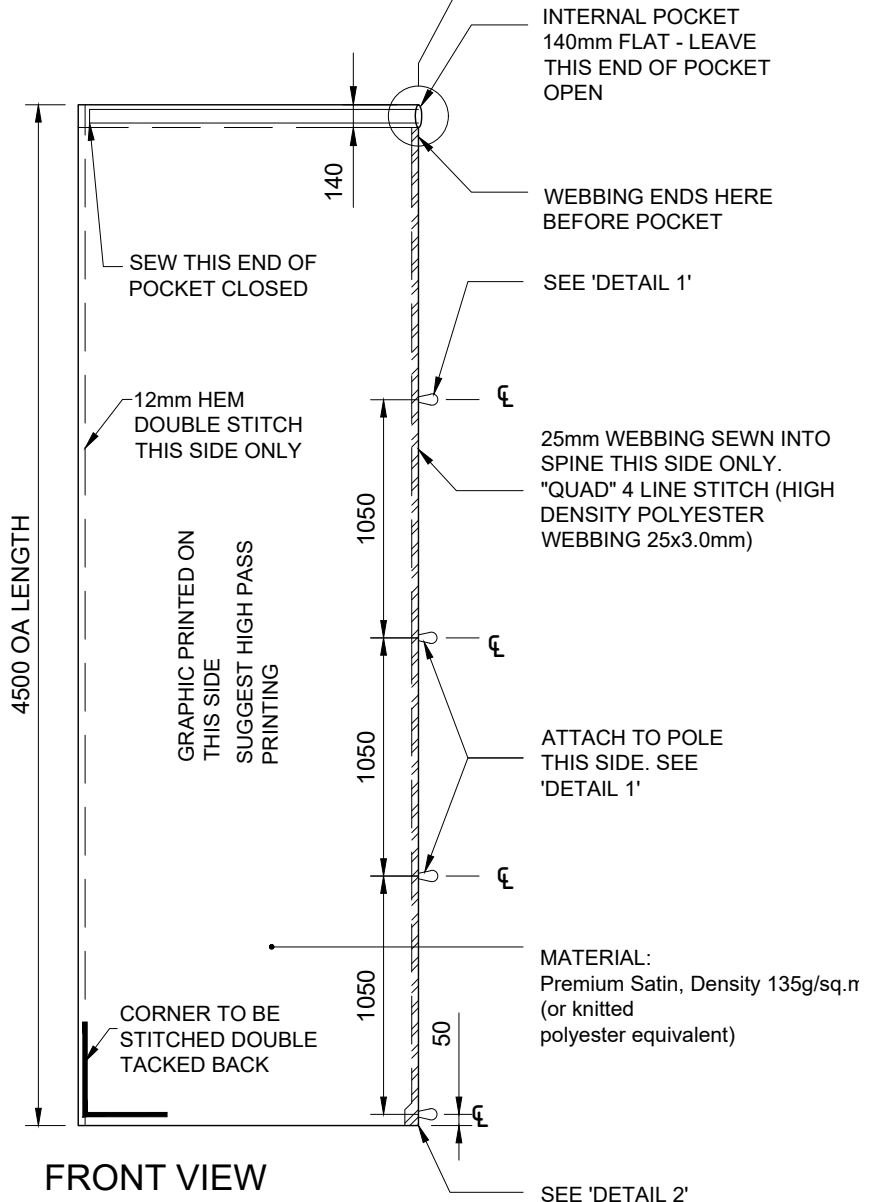
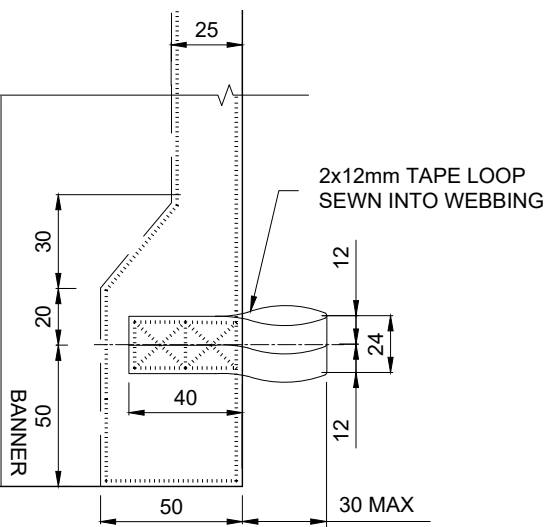
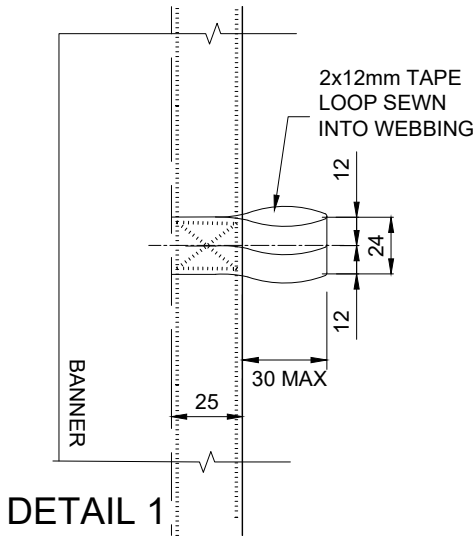
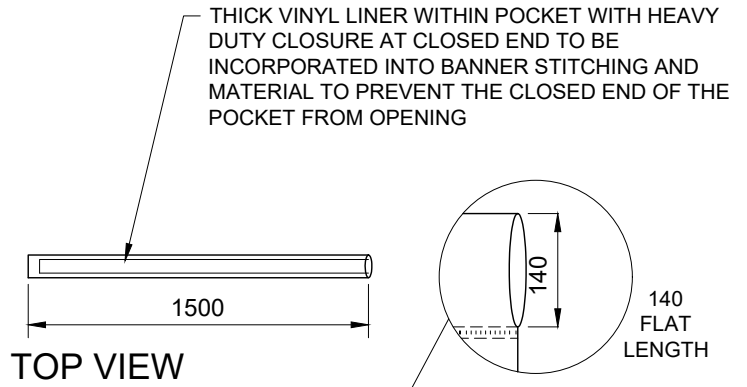
BANNERS & FLAGS

REVIEWED: 15.08.2025

THESE BANNERS ARE USED IN THE FOLLOWING LOCATIONS:

- T2 - 26 BANNERS ON ST GEORGES TCE*
- T3 - 16 BANNERS ON ST GEORGES TCE*
- T4 - 28 BANNERS ON ST GEORGES TCE*
- T5 - 16 BANNERS ON ADELAIDE TCE*
- T6 - 20 BANNERS ON ADELAIDE TCE*
- T7 - 16 BANNERS ON ADELAIDE TCE*
- T9 - 10 BANNERS ON ADELAIDE TCE*
- M3 - 12 BANNERS IN FORREST PLACE
- W1 - 10 BANNERS ON WELLINGTON ST
- W2 - 22 BANNERS ON WELLINGTON ST
- R2.5 - 8 BANNERS ON ROE ST

*CHANGES TO T SITES, REFER TO BANNER & FLAG HIRE GUIDELINES FOR MORE INFORMATION.



Notes:

1. Tape loops must be attached to resist tensile loads of 50kg ea.
2. Webbing material to be high density polyester webbing 25x3.0mm
3. All dimensions to tape loops are to the centre of tape loop attachment.
4. For General Notes refer *Design and Construction Note 900.02*.

LARGE FABRIC BANNER - TYPE 2

901.02

BANNERS & FLAGS

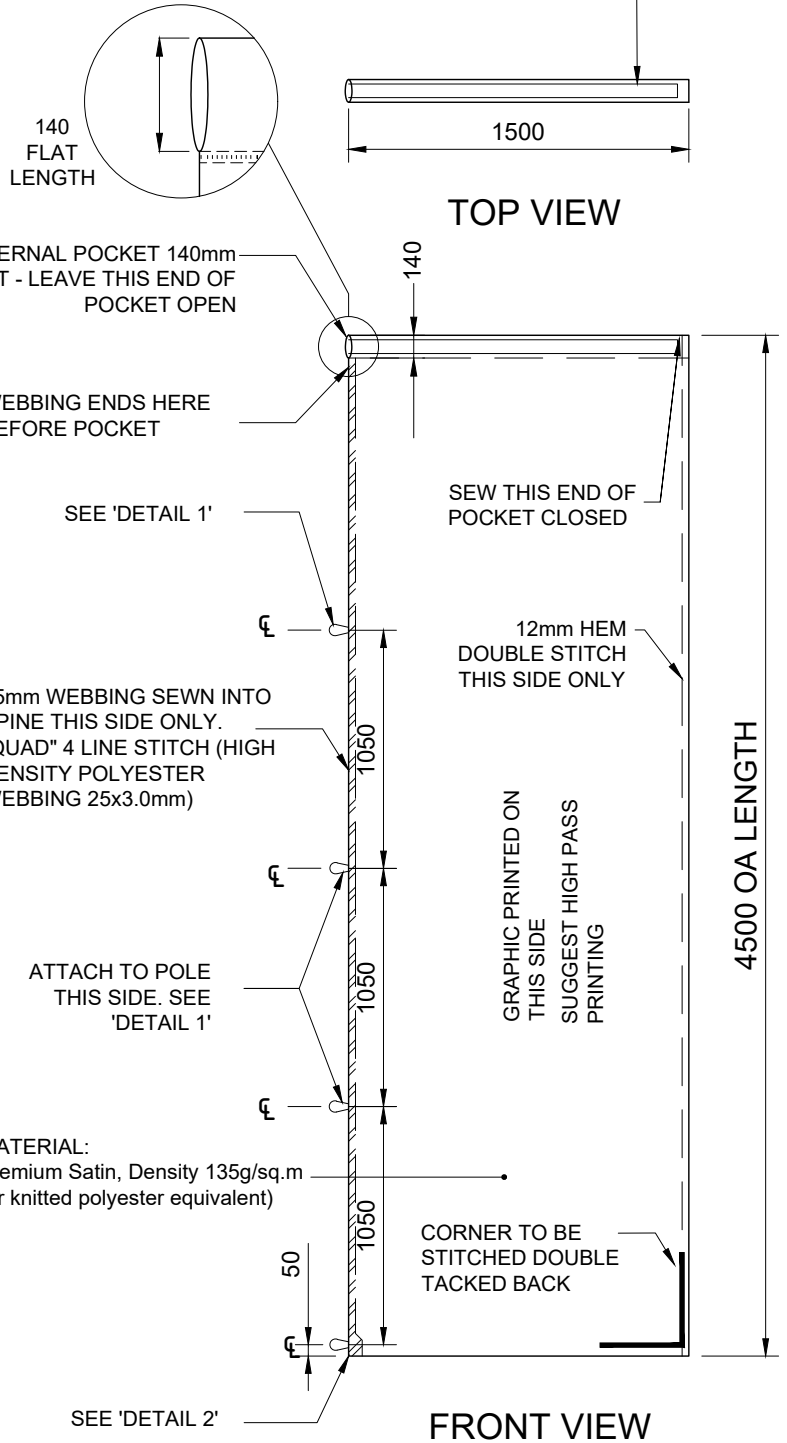
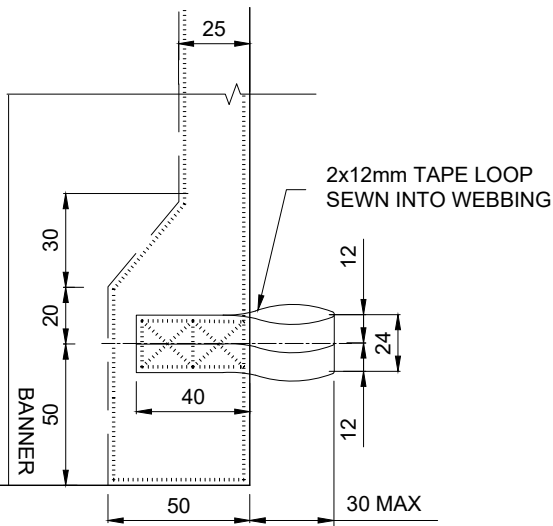
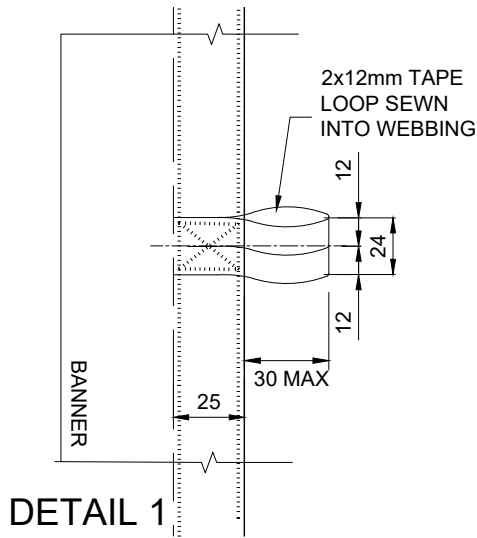
REVIEWED: 15.08.2025

THESE BANNERS ARE USED IN THE FOLLOWING LOCATIONS:

- T1 - 8 BANNERS ON ST GEORGES TCE*
- T8 - 9 BANNERS ON ADELAIDE TCE*
- W3 - 5 BANNERS ON WELLINGTON ST

*CHANGES TO T SITES, REFER TO BANNER & FLAG HIRE GUIDELINES FOR MORE INFORMATION.

THICK VINYL LINER WITHIN POCKET WITH HEAVY DUTY CLOSURE AT CLOSED END TO BE INCORPORATED INTO BANNER STITCHING AND MATERIAL TO PREVENT THE CLOSED END OF THE POCKET FROM OPENING



Notes:

1. Tape loops must be attached to resist tensile loads of 50kg ea.
2. Webbing material to be high density polyester webbing 25x3.0mm
3. All dimensions to tape loops are to the centre of tape loop attachment.
4. For General Notes refer *Design and Construction Note 900.02*.

LARGE FABRIC BANNER - TYPE 3

901.03

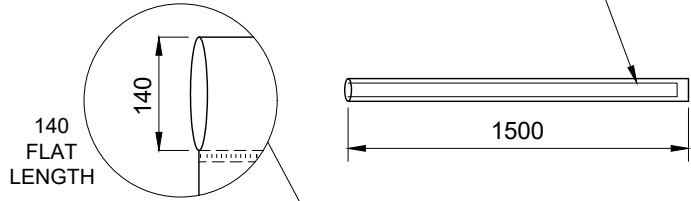
BANNERS & FLAGS

REVIEWED: 15.08.2025

THESE BANNERS ARE USED IN THE FOLLOWING LOCATIONS:

- E1 - 4 BANNERS ON THE ESPLANADE
- E5 - 8 BANNERS ON BARRACK ST

THICK VINYL LINER WITHIN POCKET WITH HEAVY DUTY CLOSURE AT CLOSED END TO BE INCORPORATED INTO BANNER STITCHING AND MATERIAL TO PREVENT THE CLOSED END OF THE POCKET FROM OPENING



INTERNAL POCKET 140mm FLAT - LEAVE THIS END OF POCKET OPEN

RECOMMENDED: EXTEND WEBBING TO REINFORCE POCKET STITCH.

SEE 'DETAIL 1'

25mm WEBBING SEWN INTO SPINE THIS SIDE ONLY. "QUAD" 4 LINE STITCH (HIGH DENSITY POLYESTER WEBBING 25x3.0mm)

ATTACH TO POLE THIS SIDE. SEE 'DETAIL 1'

MATERIAL: Premium Satin, Density 135g/sq.m (or knitted polyester equivalent)

SEE 'DETAIL 2'

RECOMMENDED: EXTEND WEBBING TO ALL EDGES WITHIN THE HEMS

TOP VIEW

SEW THIS END OF POCKET CLOSED

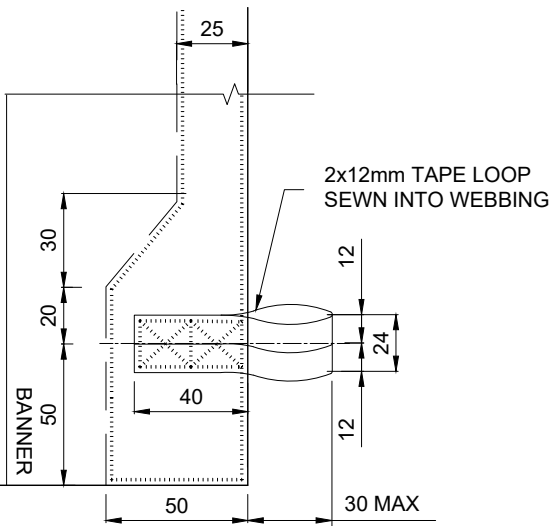
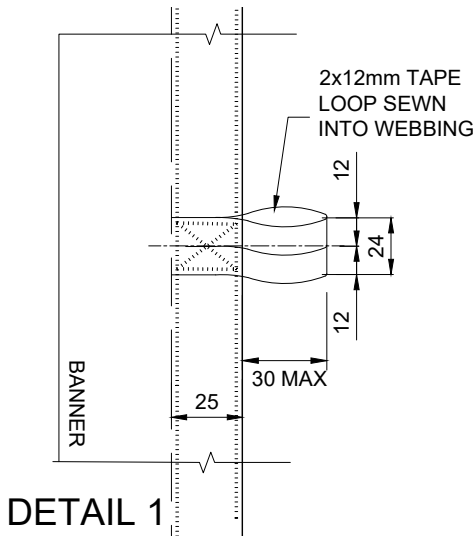
12mm HEM DOUBLE STITCH THIS SIDE ONLY

GRAPHIC PRINTED ON THIS SIDE SUGGEST HIGH PASS PRINTING

4500 OA LENGTH

CORNER TO BE STITCHED DOUBLE TACKED BACK

FRONT VIEW



DETAIL 2

Notes:

1. Tape loops must be attached to resist tensile loads of 50kg ea.
2. Webbing material to be high density polyester webbing 25x3.0mm
3. All dimensions to tape loops are to the centre of tape loop attachment.
4. Recommended: Extend Webbing to reinforce pocket stitch. Extend webbing to all edges within the hems
5. For General Notes refer *Design and Construction Note 900.02*.

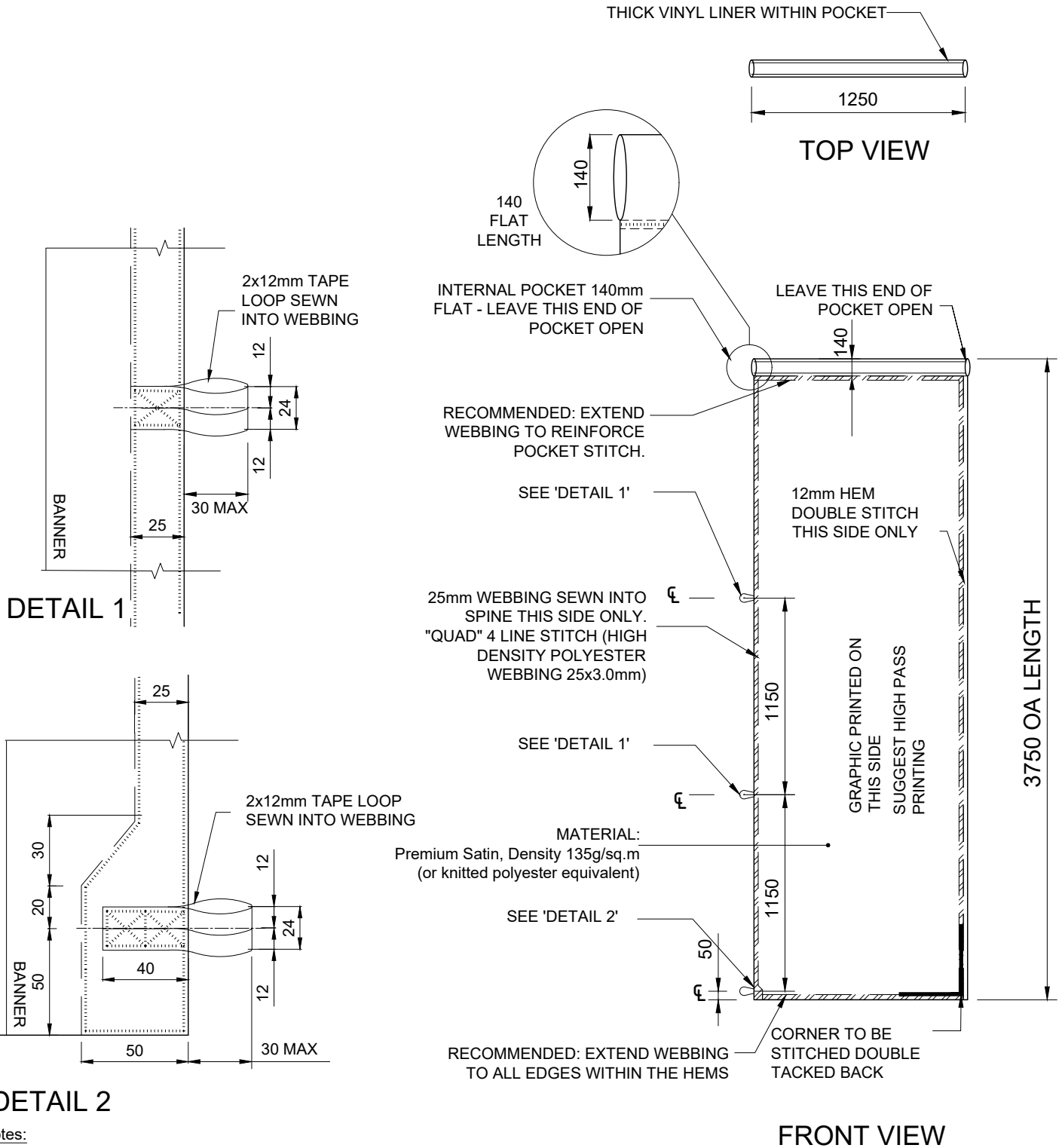
MEDIUM FABRIC BANNER

901.04

BANNERS & FLAGS

REVISED: 04.11.2025

THESE BANNERS ARE USED IN THE FOLLOWING LOCATIONS:
E3 - 18 BANNERS ON GEOFFREY BOLTON AVE



Notes:

1. Tape loops must be attached to resist tensile loads of 50kg ea.
2. Webbing material to be high density polyester webbing 25x3.0mm
3. All dimensions to tape loops are to the centre of tape loop attachment.
4. Recommended: Extend Webbing to reinforce pocket stitch. Extend webbing to all edges within the hems.
5. For General Notes refer *Design and Construction Note 900.02*.

SMALL FABRIC BANNER - TYPE 1

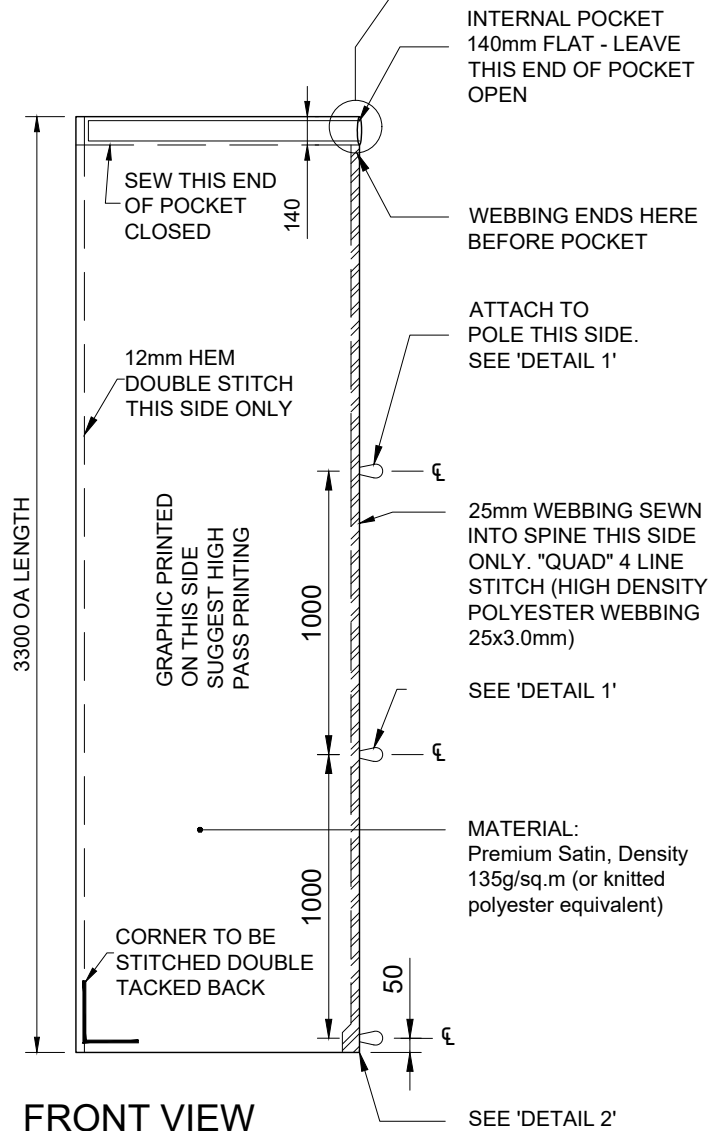
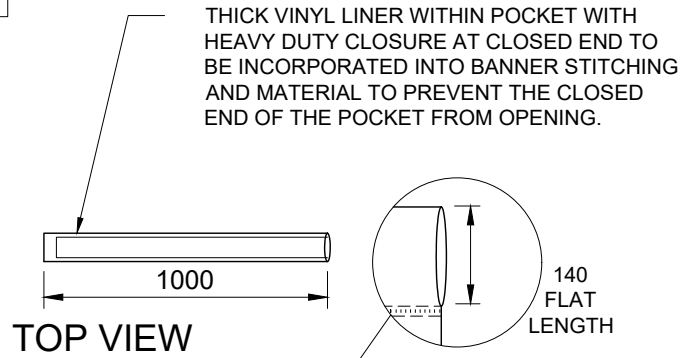
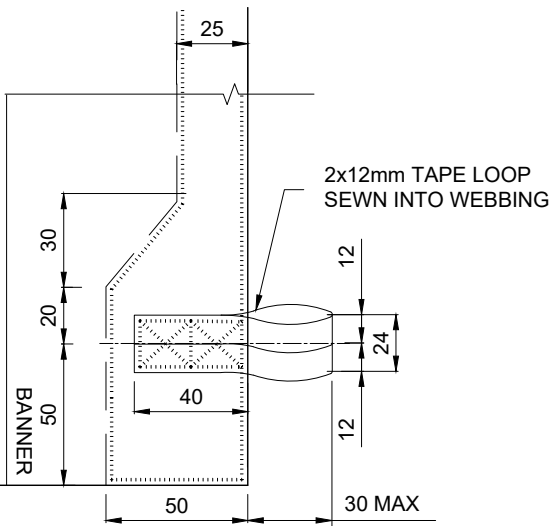
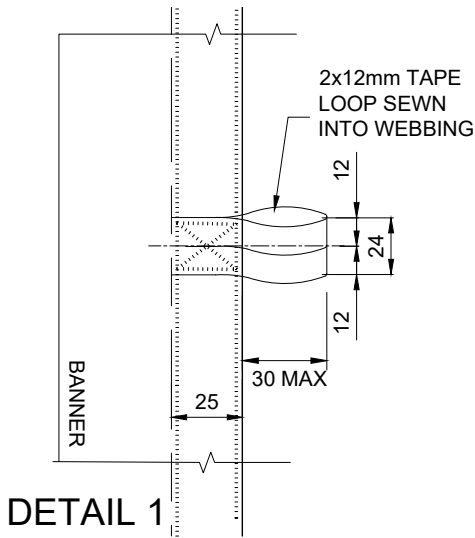
901.05

BANNERS & FLAGS

REVIEWED: 15.08.2025

THESE BANNERS ARE USED IN THE FOLLOWING LOCATIONS:

K1 - 44 BANNERS ON KINGS PARK RD



Notes:

1. Tape loops must be attached to resist tensile loads of 50kg ea.
2. Webbing material to be high density polyester webbing 25x3.0mm
3. All dimensions to tape loops are to the centre of tape loop attachment.
4. For General Notes refer *Design and Construction Note 900.02*.

SMALL FABRIC BANNER - TYPE 2 (a) (b)

901.06

BANNERS & FLAGS

REVIEWED: 15.08.2025

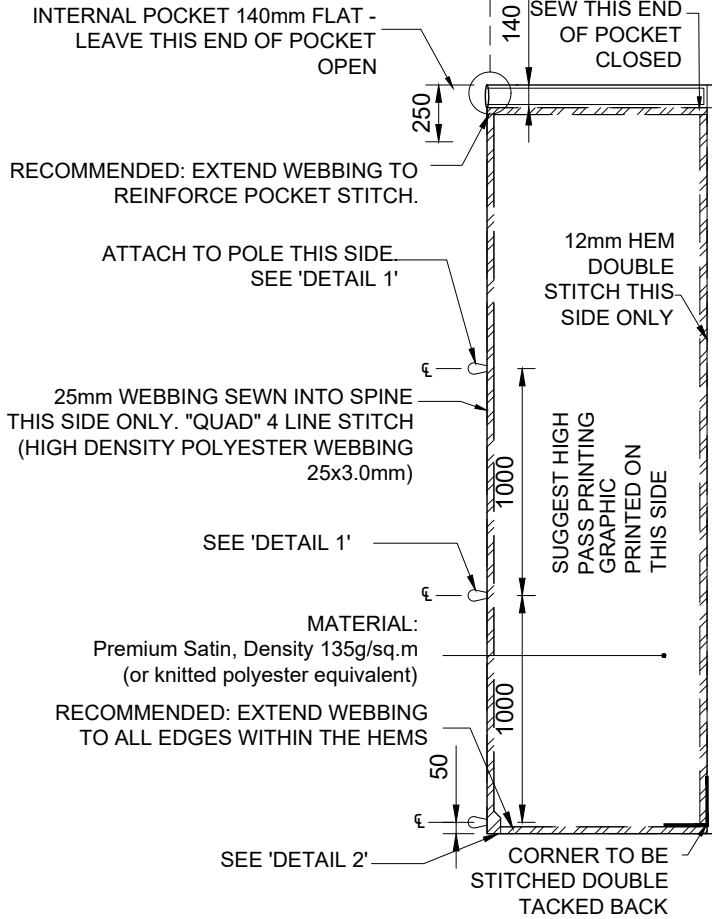
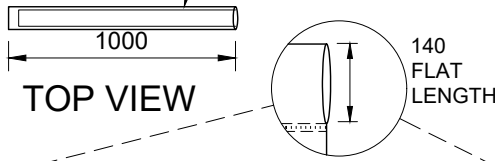
THESE BANNERS ARE USED IN THE FOLLOWING LOCATIONS:

TYPE 2 (a) - LOOPS ON LEFT
E2 - 5 BANNERS AT ELIZABETH QUAY
E4 - 5 BANNERS AT ELIZABETH QUAY

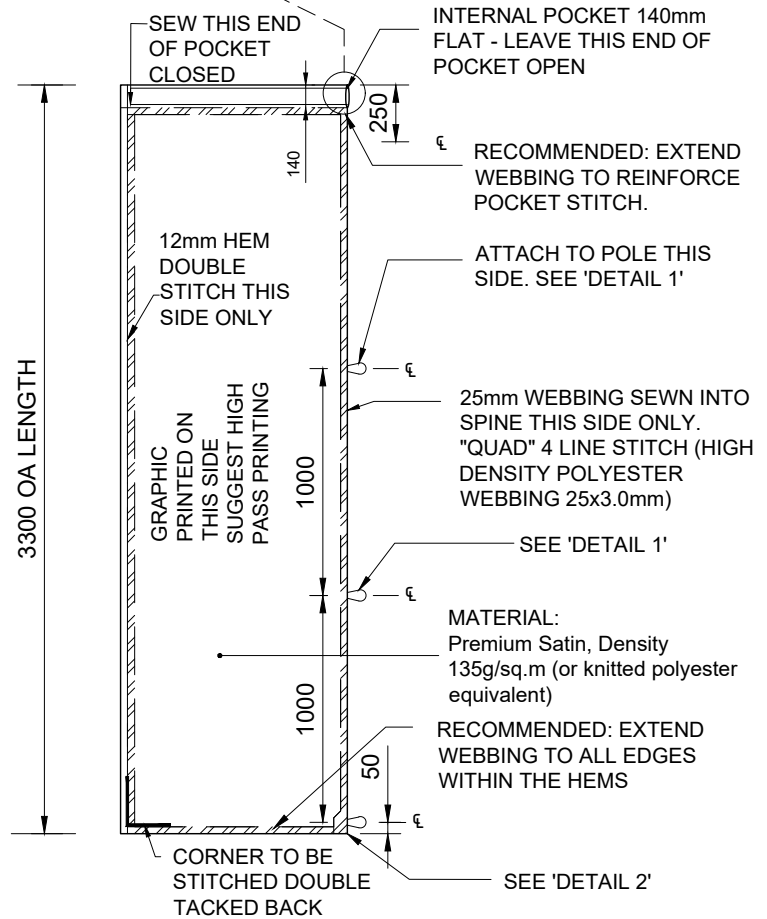
AND

TYPE 2 (b) - LOOPS ON RIGHT
E2 - 4 BANNERS AT ELIZABETH QUAY
E4 - 5 BANNERS AT ELIZABETH QUAY

THICK VINYL LINER WITHIN POCKET WITH HEAVY DUTY CLOSURE AT CLOSED END TO BE INCORPORATED INTO BANNER STITCHING AND MATERIAL TO PREVENT THE CLOSED END OF THE POCKET FROM OPENING.



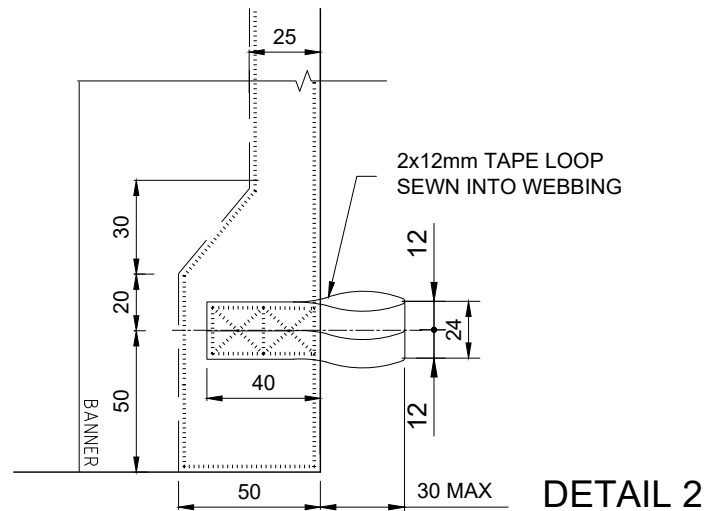
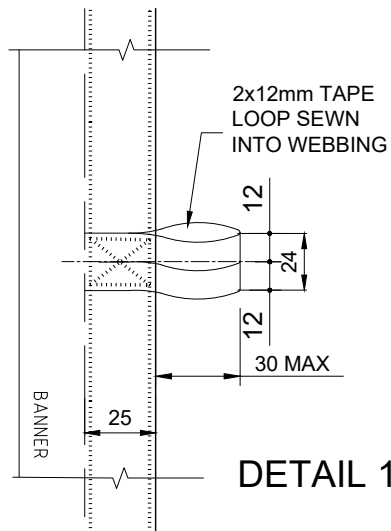
TYPE 2 (a) - LOOPS ON LEFT
FRONT VIEW



TYPE 2 (b) - LOOPS ON RIGHT
FRONT VIEW

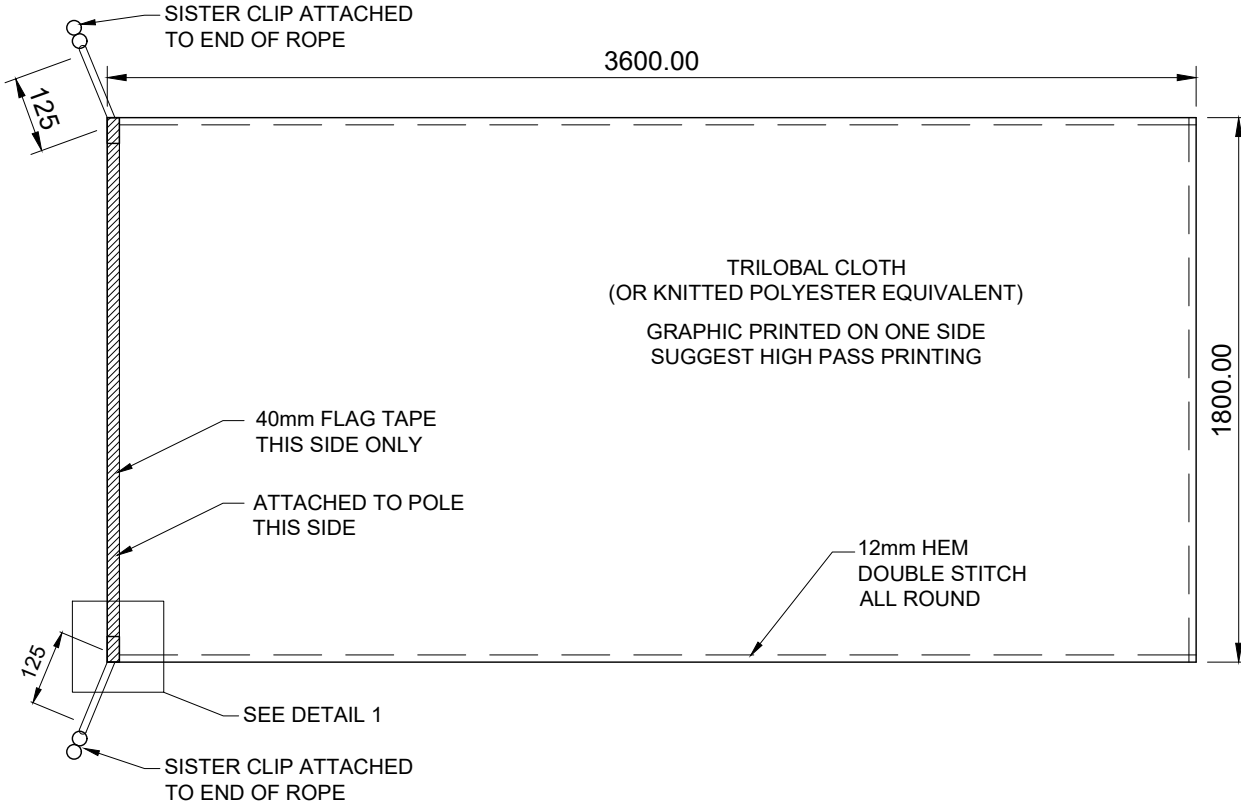
Notes:

1. Tape loops must be attached to resist tensile loads of 50kg ea.
2. Webbing material to be high density polyester webbing 25x3.0mm
3. All dimensions to tape loops are to the centre of tape loop attachment.
4. Recommended: Extend Webbing to reinforce pocket stitch. Extend webbing to all edges within the hems.
5. For General Notes refer *Design and Construction Note 900.02*.

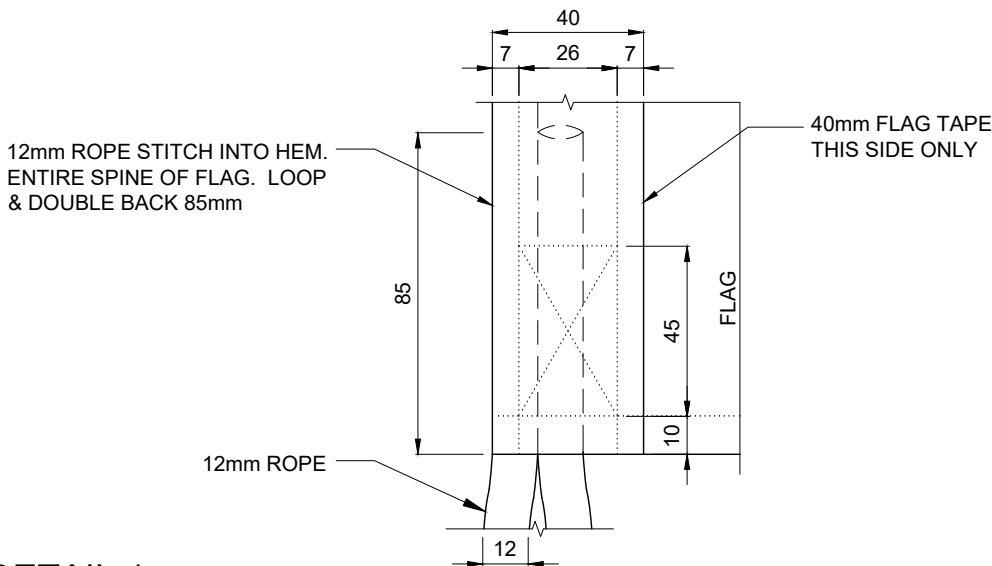


THESE FLAGS ARE USED IN THE FOLLOWING LOCATIONS:

- F1 - 13 FLAGS ON KINGS PARK RD
- F2 - 14 FLAGS ON MOUNTS BAY RD
- F3 - 7 FLAGS ON CAUSEWAY



FLAG FRONT VIEW



DETAIL 1

Notes:

1. Provide 2x sister clips for mounting flags on to poles.
2. For General Notes refer *Design and Construction Note 900.02*.

SMALL DOUBLE SIDED VINYL BANNER

901.08

BANNERS & FLAGS

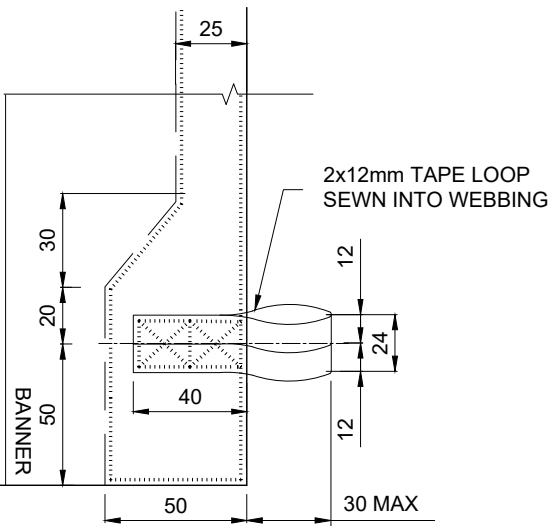
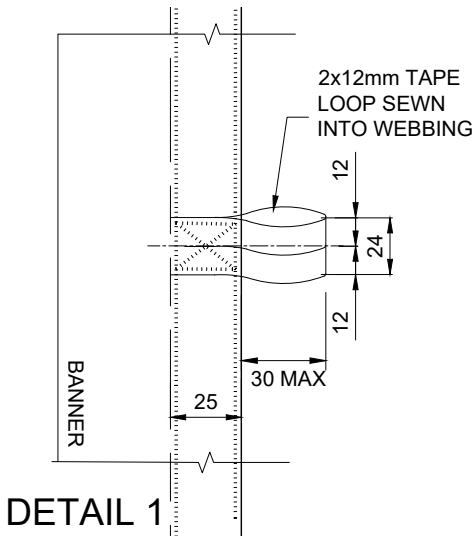
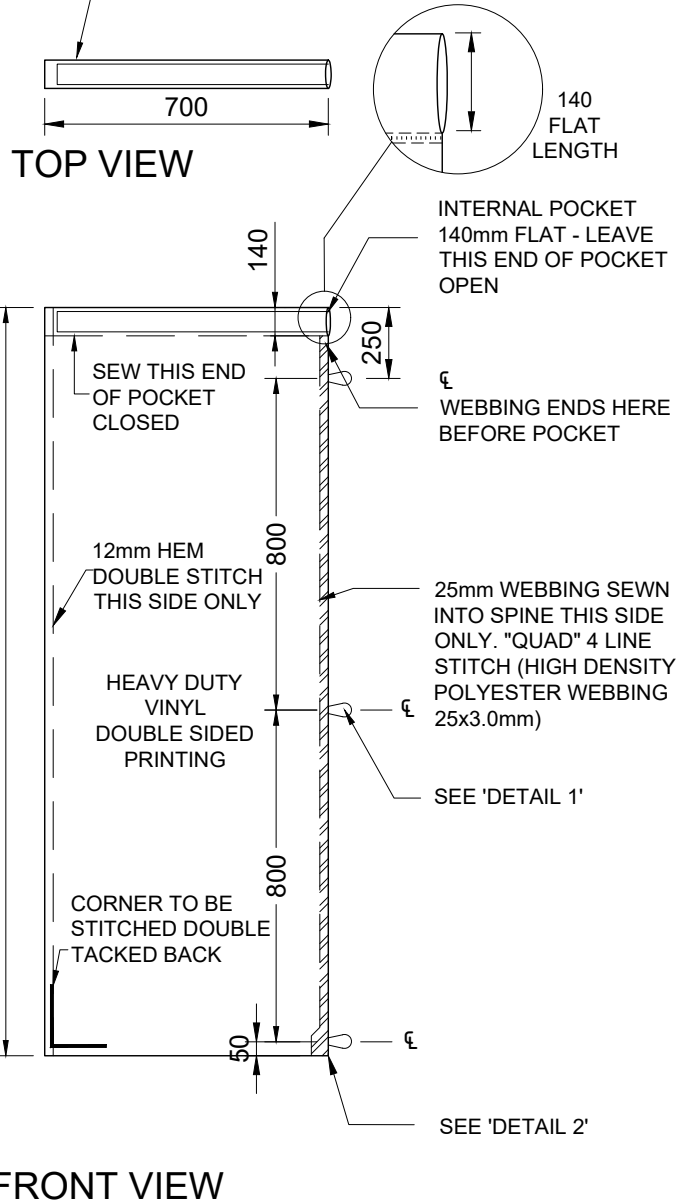
REVIEWED: 15.08.2025

THESE BANNERS ARE USED ON FOOTPATHS IN THE FOLLOWING LOCATIONS:

H1 - 10 BANNERS ON HAY ST
 T3.5 - 10 BANNERS ON ST GEORGES TCE*
 R1 - 17 BANNERS ON ROE ST
 R2 - 6 BANNERS ON ROE ST
 R3 - 24 BANNERS ON ROE ST

*CHANGES TO T SITES, REFER TO BANNER & FLAG HIRE GUIDELINES FOR MORE INFORMATION.

THICK VINYL LINER WITHIN POCKET WITH HEAVY DUTY CLOSURE AT CLOSED END TO BE INCORPORATED INTO BANNER STITCHING AND MATERIAL TO PREVENT THE CLOSED END OF THE POCKET FROM OPENING.



DETAIL 2

Notes:

1. Tape loops must be attached to resist tensile loads of 50kg ea.
2. Webbing material to be high density polyester webbing 25x3.0mm
3. All dimensions to tape loops are to the centre of tape loop attachment.
4. H1 banners are not available for public hire.
5. For General Notes refer *Design and Construction Note 900.02*.

DOUBLE SIDED VINYL BANNER - TYPE 1

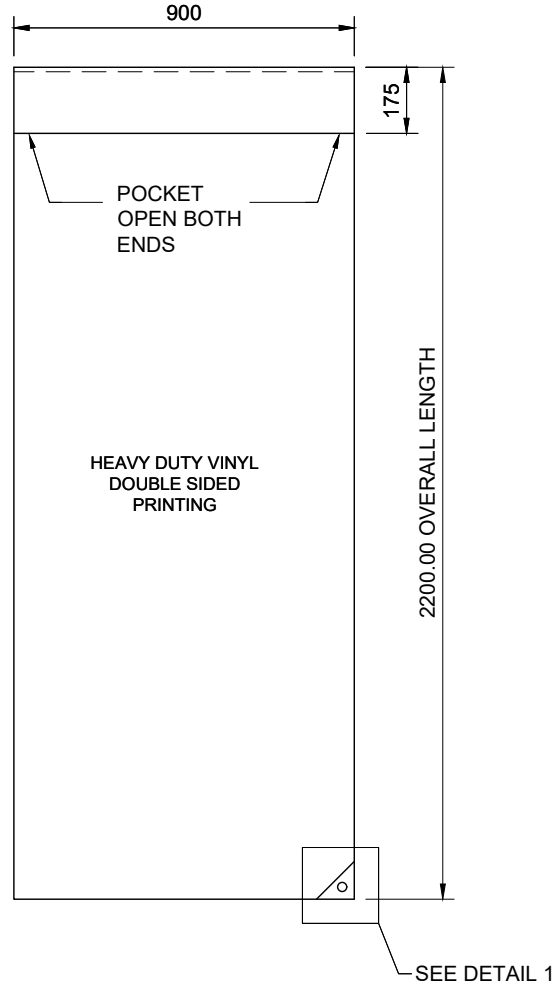
901.09

BANNERS & FLAGS

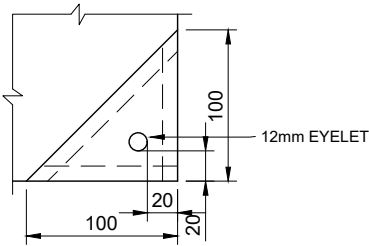
REVIEWED: 15.08.2025

THESE BANNERS ARE USED IN THE FOLLOWING LOCATIONS:

- M1 - 32 BANNERS ON HAY ST MALL
- M2 - 16 BANNERS ON MURRAY ST MALL
- M4 - 12 BANNERS ON WILLIAM ST
- A1 - 4 BANNERS ON ABERDEEN ST



FRONT VIEW



DETAIL 1
REINFORCED CORNER

Notes:

1. Anchor bolt rope tape must be 10mm to fit banner attachment.
2. For General Notes refer *Design and Construction Note 900.02*.

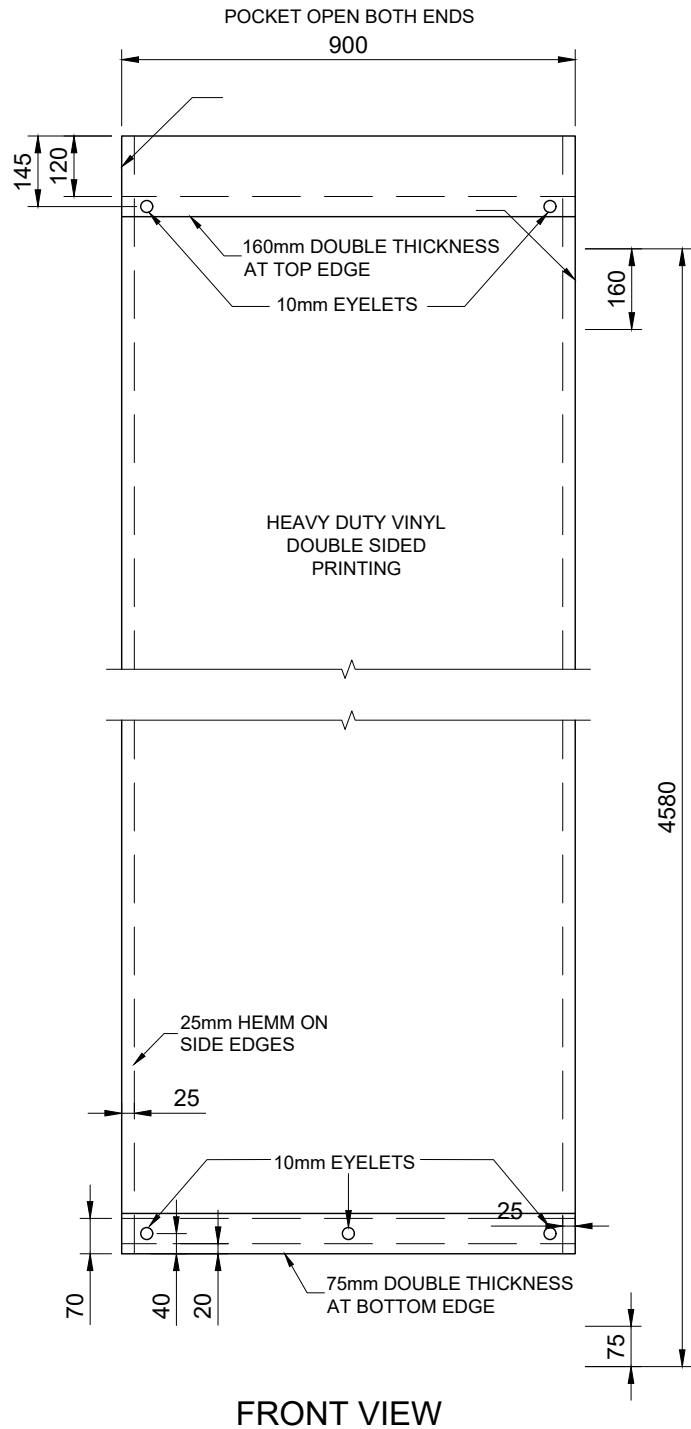
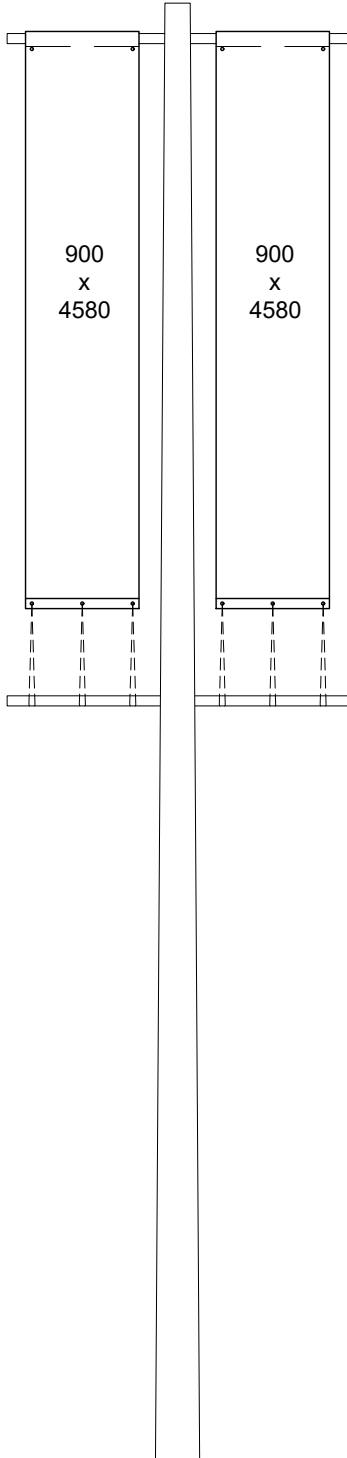
DOUBLE SIDED VINYL BANNER - TYPE 2

901.10

BANNERS & FLAGS

REVIEWED: 15.08.2025

THESE BANNERS ARE USED IN THE FOLLOWING LOCATIONS:
H2 - 12 BANNERS ON HAMPDEN ROAD



Notes:

1. H2 banners are not available for public hire.
2. For General Notes refer *Design and Construction Note 900.02*.

HAMPDEN ROAD
BANNER POLE

TRIANGULAR VINYL BANNER

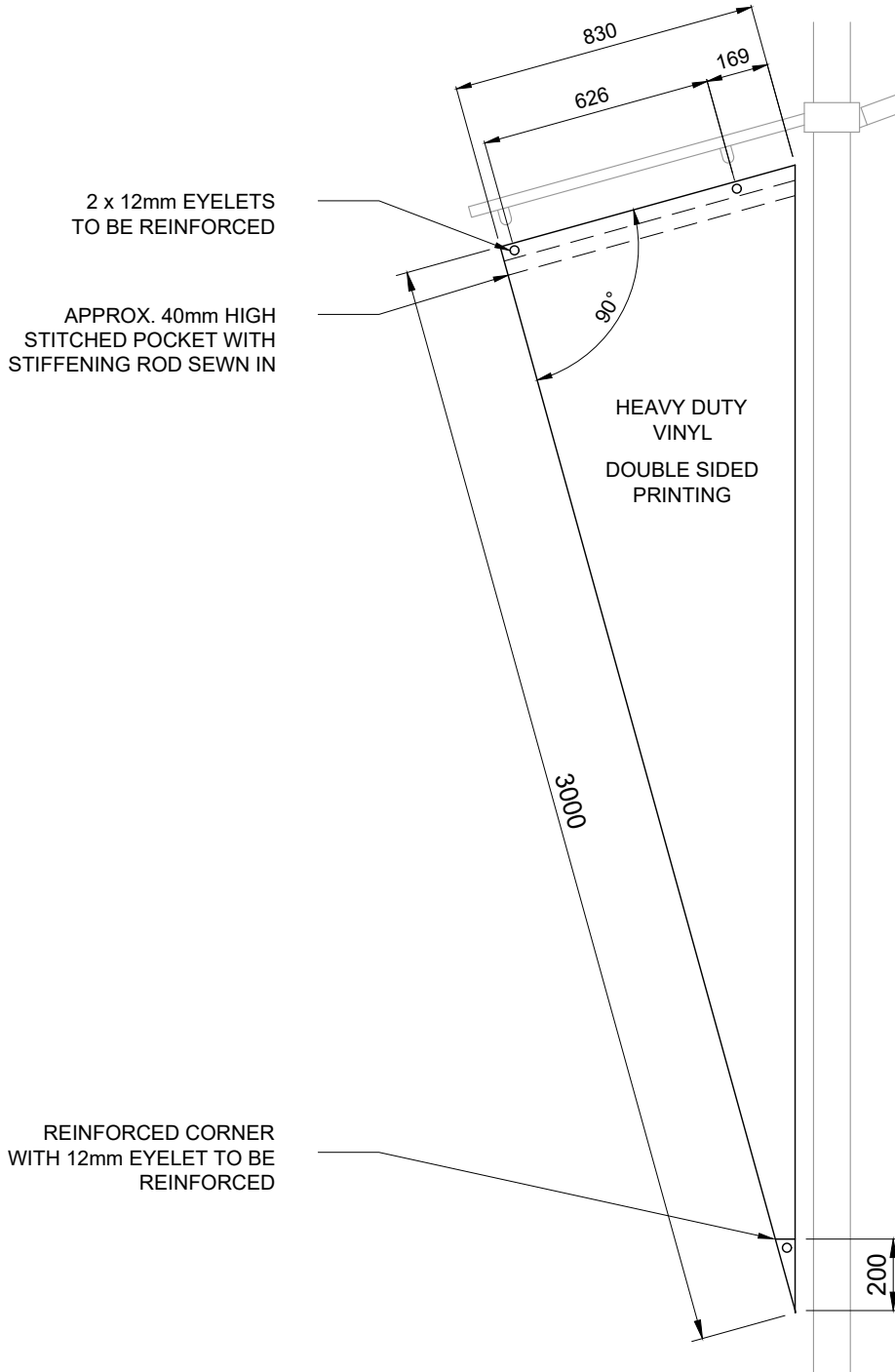
901.11

BANNERS & FLAGS

REVIEWED: 15.08.2025

THESE BANNERS ARE USED IN THE FOLLOWING LOCATIONS:

N1 - 7 BANNERS ON JAMES ST



FRONT VIEW

Notes:

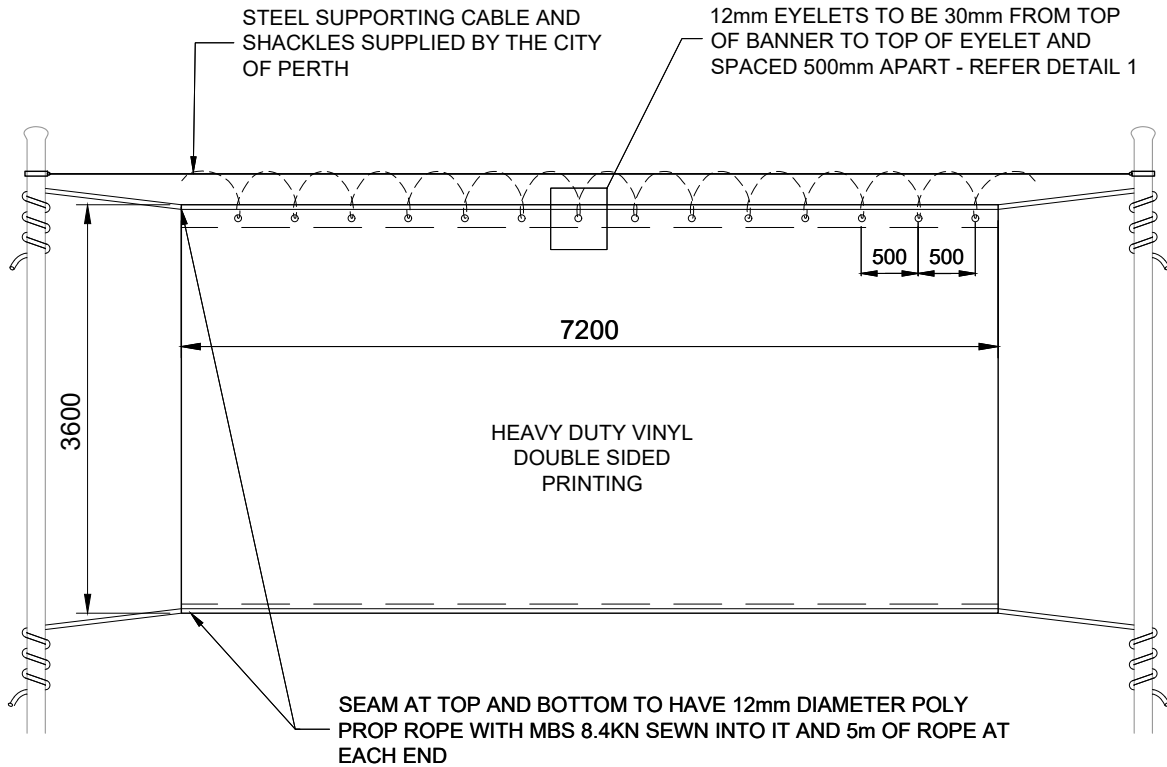
1. The poles at the existing locations are 10.2m high.
2. For General Notes refer *Design and Construction Note 900.02*.

STREET-WIDE VINYL BANNER

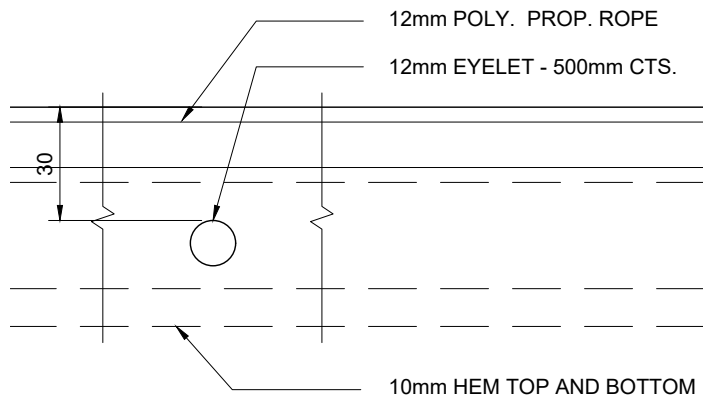
901.12

THESE BANNERS ARE USED IN THE FOLLOWING LOCATIONS:

S1 - 1 BANNER ON JAMES ST



FRONT VIEW



DETAIL 1

Notes:

1. Distance between poles at S2=13.25m
2. For General Notes refer *Design and Construction Note 900.02*.