

# STREET-WIDE VINYL BANNER

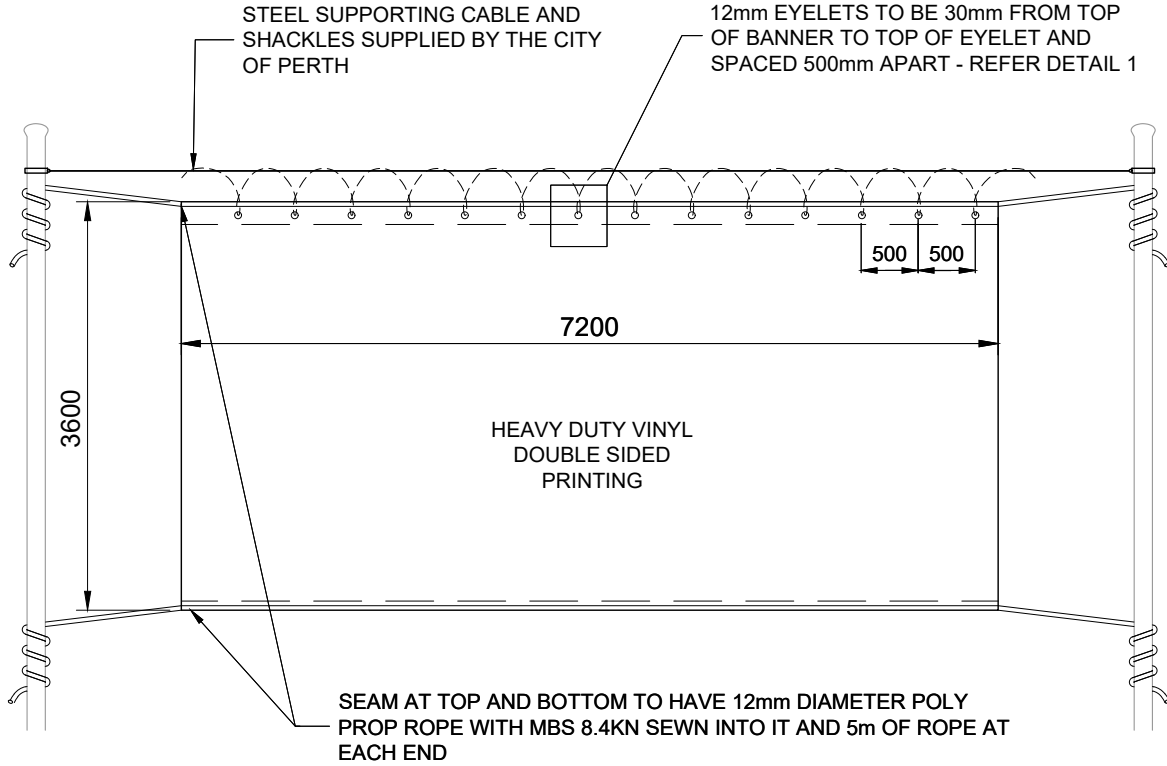
# 901.09

BANNERS & FLAGS

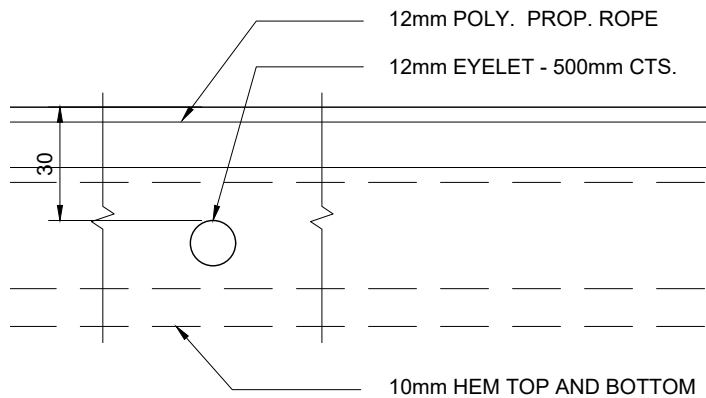
REVIEWED: 23.10.2024

THESE BANNERS ARE USED IN THE FOLLOWING LOCATIONS:

S1 - 1 BANNER ON JAMES ST



FRONT VIEW



DETAIL 1

Notes:

1. Distance between poles at S2=13.25m
2. For General Notes refer *Design and Construction Note 900.02*.