

SMALL DOUBLE SIDED VINYL BANNER

901.08

BANNERS & FLAGS

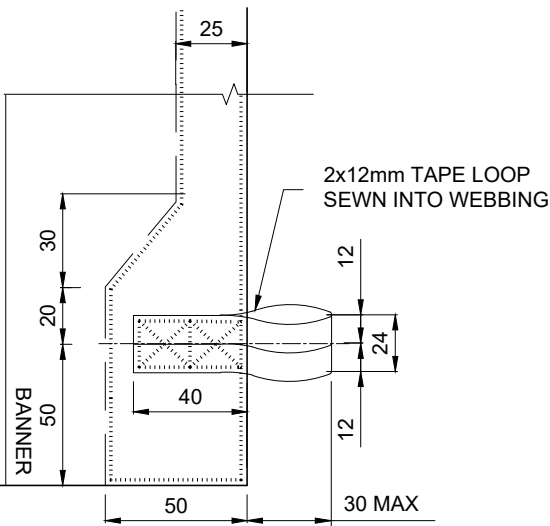
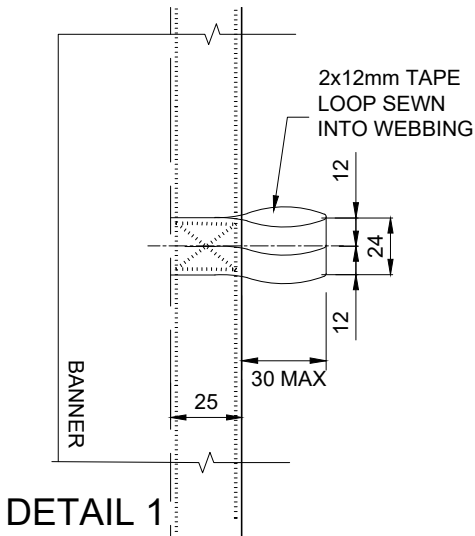
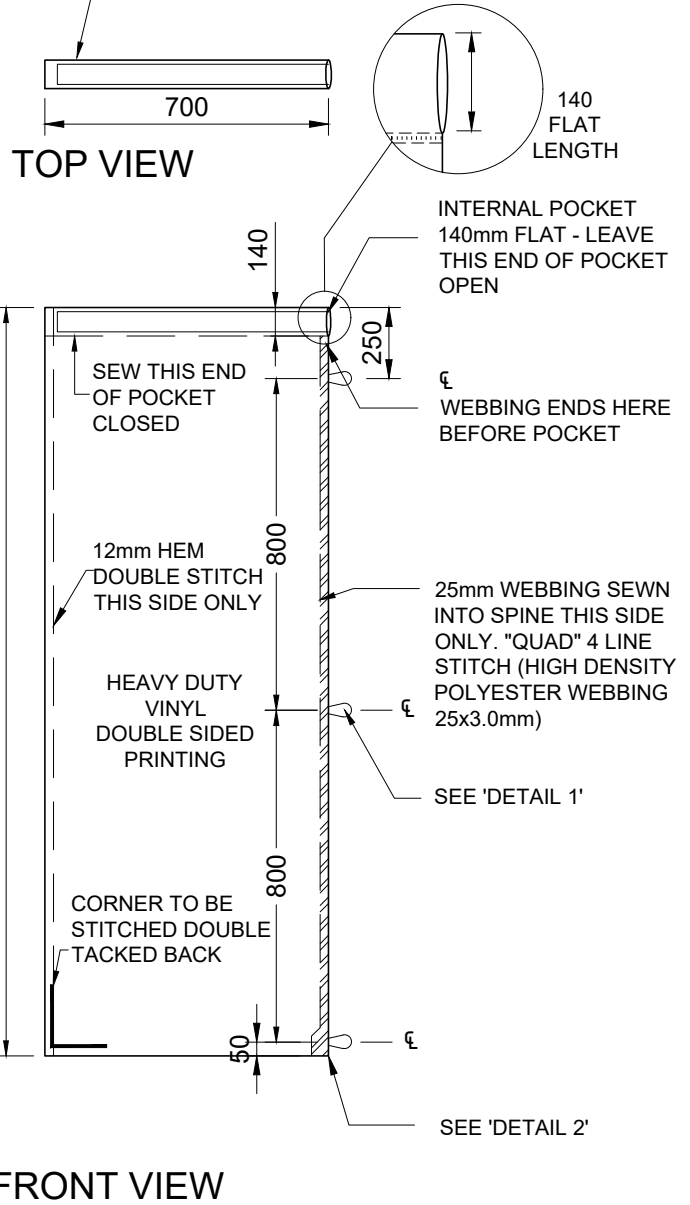
REVIEWED: 15.08.2025

THESE BANNERS ARE USED ON FOOTPATHS IN THE FOLLOWING LOCATIONS:

H1 - 10 BANNERS ON HAY ST
 T3.5 - 10 BANNERS ON ST GEORGES TCE*
 R1 - 17 BANNERS ON ROE ST
 R2 - 6 BANNERS ON ROE ST
 R3 - 24 BANNERS ON ROE ST

*CHANGES TO T SITES, REFER TO BANNER & FLAG HIRE GUIDELINES FOR MORE INFORMATION.

THICK VINYL LINER WITHIN POCKET WITH HEAVY DUTY CLOSURE AT CLOSED END TO BE INCORPORATED INTO BANNER STITCHING AND MATERIAL TO PREVENT THE CLOSED END OF THE POCKET FROM OPENING.



DETAIL 2

Notes:

1. Tape loops must be attached to resist tensile loads of 50kg ea.
2. Webbing material to be high density polyester webbing 25x3.0mm
3. All dimensions to tape loops are to the centre of tape loop attachment.
4. H1 banners are not available for public hire.
5. For General Notes refer *Design and Construction Note 900.02*.