

# SMALL DOUBLE SIDED VINYL BANNER

# 901.05

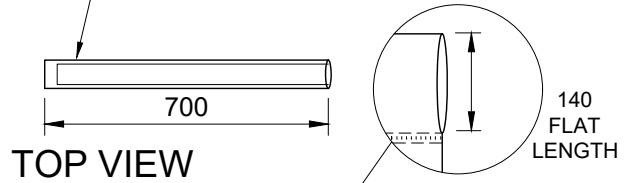
BANNERS & FLAGS

REVIEWED: 23.10.2024

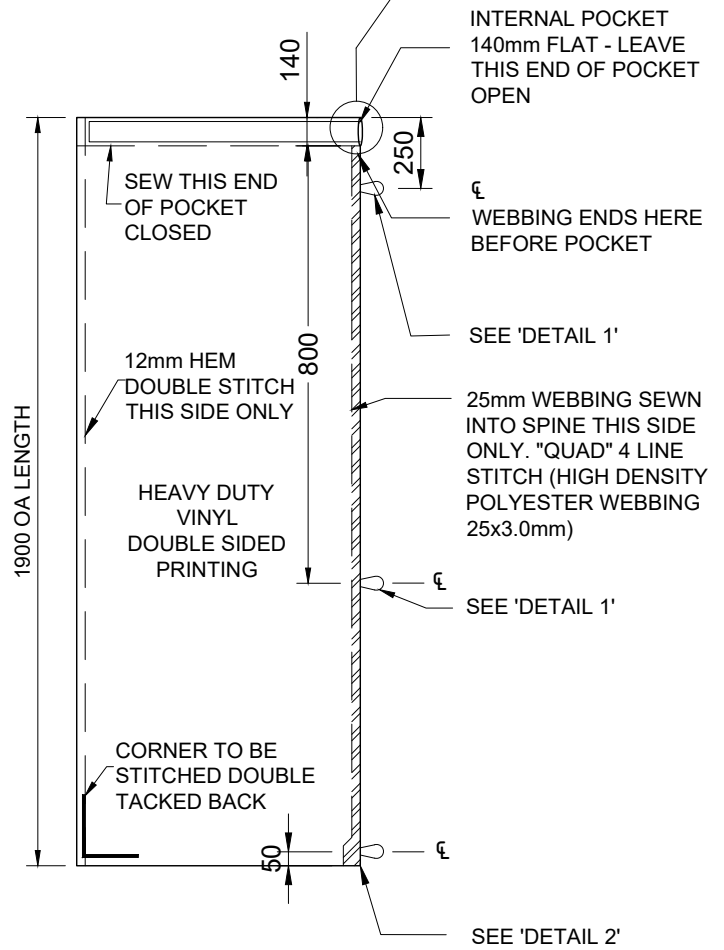
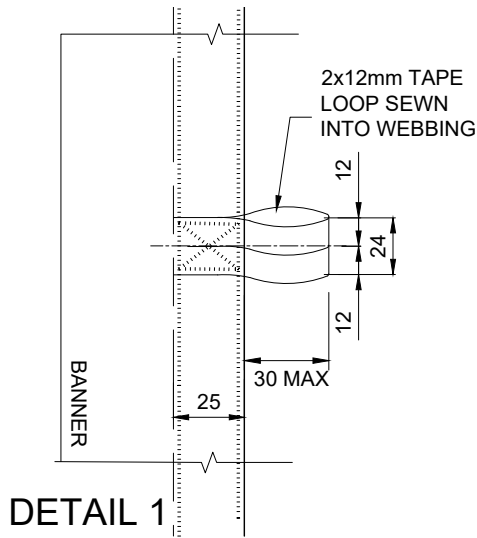
THESE BANNERS ARE USED ON FOOTPATHS IN THE FOLLOWING LOCATIONS:

H1 - 10 BANNERS ON HAY ST  
 T2.5 - 10 BANNERS ON ADELAIDE TCE  
 R1 - 17 BANNERS ON ROE ST  
 R2 - 6 BANNERS ON ROE ST  
 R3 - 24 BANNERS ON ROE ST

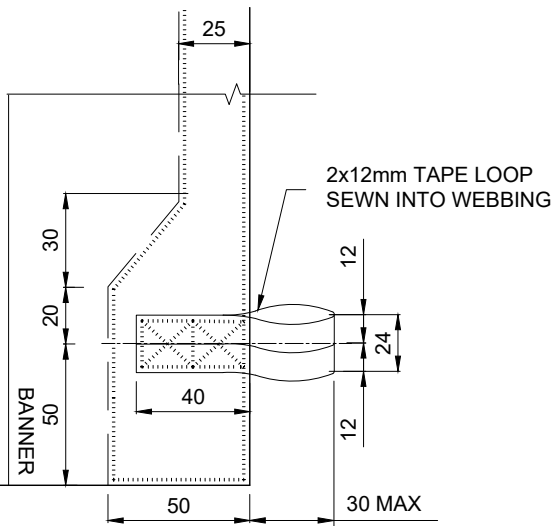
THICK VINYL LINER WITHIN POCKET WITH HEAVY DUTY CLOSURE AT CLOSED END TO BE INCORPORATED INTO BANNER STITCHING AND MATERIAL TO PREVENT THE CLOSED END OF THE POCKET FROM OPENING.



TOP VIEW



FRONT VIEW



DETAIL 2

Notes:

1. Tape loops must be attached to resist tensile loads of 50kg ea.
2. Webbing material to be high density polyester webbing 25x3.0mm
3. All dimensions to tape loops are to the centre of tape loop attachment.
4. For General Notes refer *Design and Construction Note 900.01*.