

LARGE FABRIC BANNER - TYPE 3

901.03

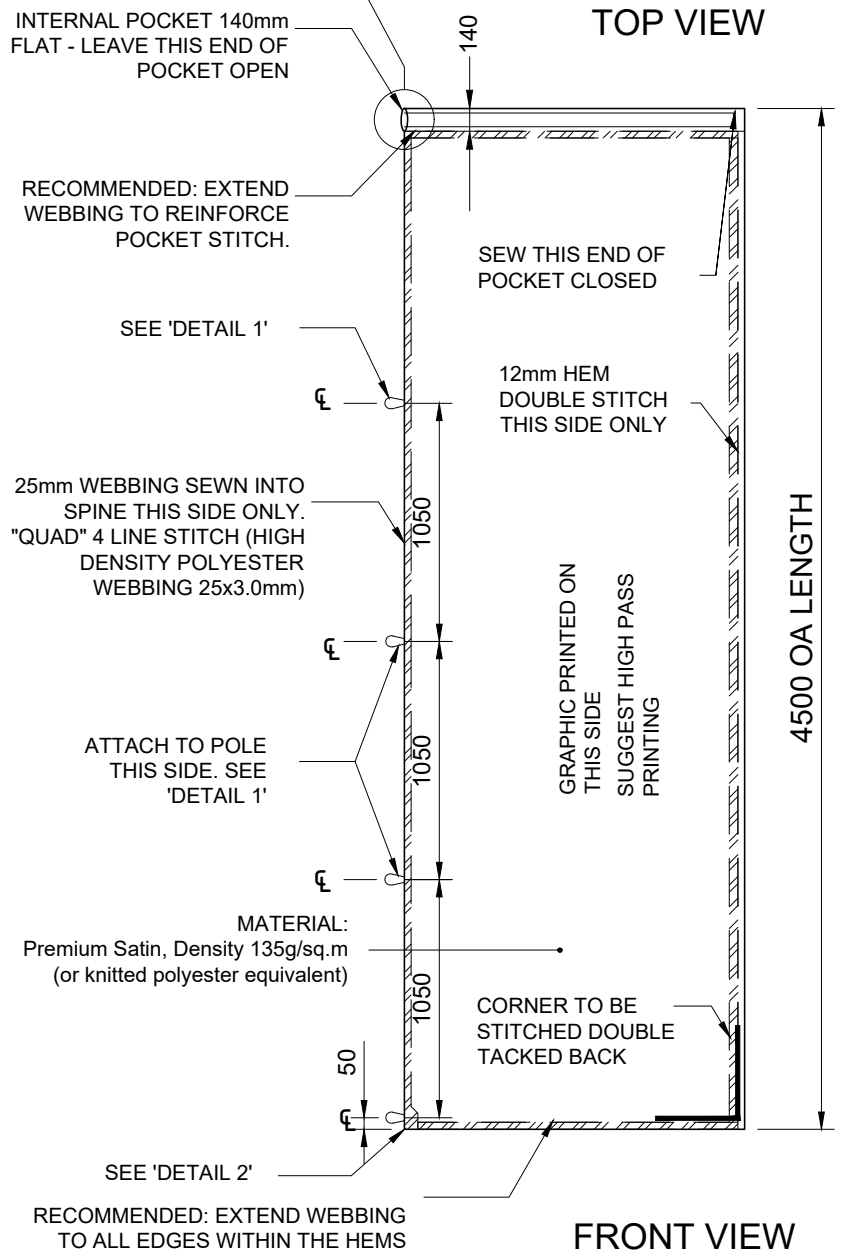
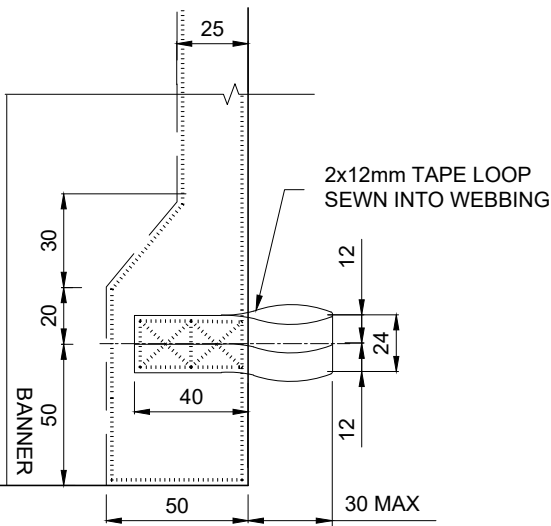
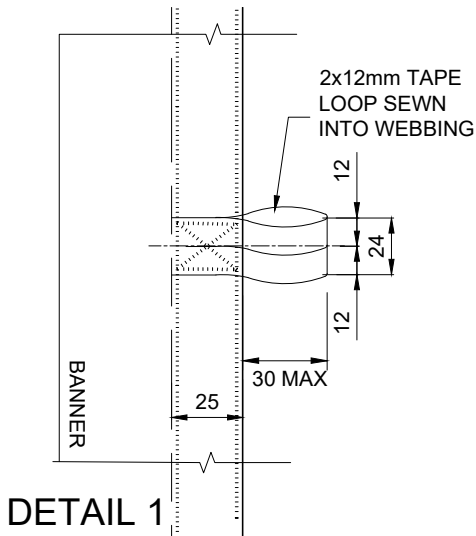
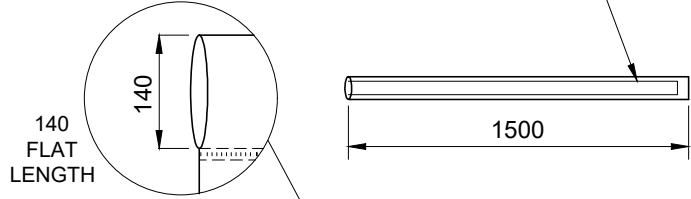
BANNERS & FLAGS

REVIEWED: 15.08.2025

THESE BANNERS ARE USED IN THE FOLLOWING LOCATIONS:

- E1 - 4 BANNERS ON THE ESPLANADE
- E5 - 8 BANNERS ON BARRACK ST

THICK VINYL LINER WITHIN POCKET WITH HEAVY DUTY CLOSURE AT CLOSED END TO BE INCORPORATED INTO BANNER STITCHING AND MATERIAL TO PREVENT THE CLOSED END OF THE POCKET FROM OPENING



Notes:

1. Tape loops must be attached to resist tensile loads of 50kg ea.
2. Webbing material to be high density polyester webbing 25x3.0mm
3. All dimensions to tape loops are to the centre of tape loop attachment.
4. Recommended: Extend Webbing to reinforce pocket stitch. Extend webbing to all edges within the hems
5. For General Notes refer *Design and Construction Note 900.02*.