

LARGE FABRIC BANNER - TYPE 1

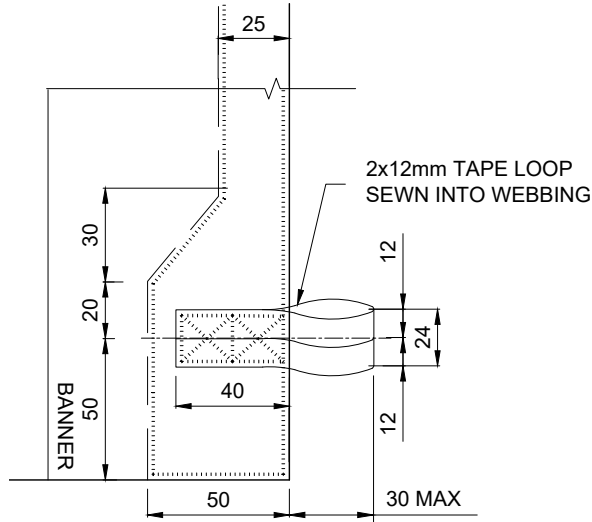
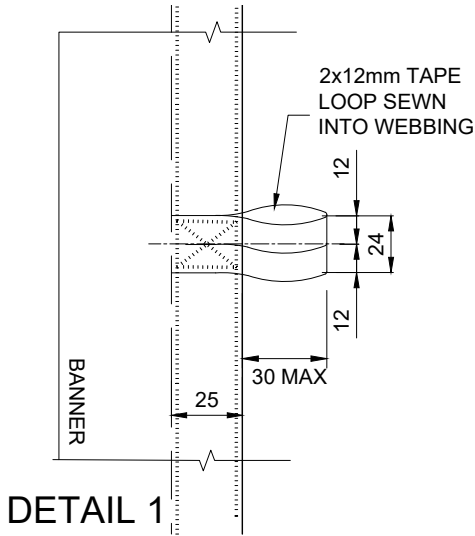
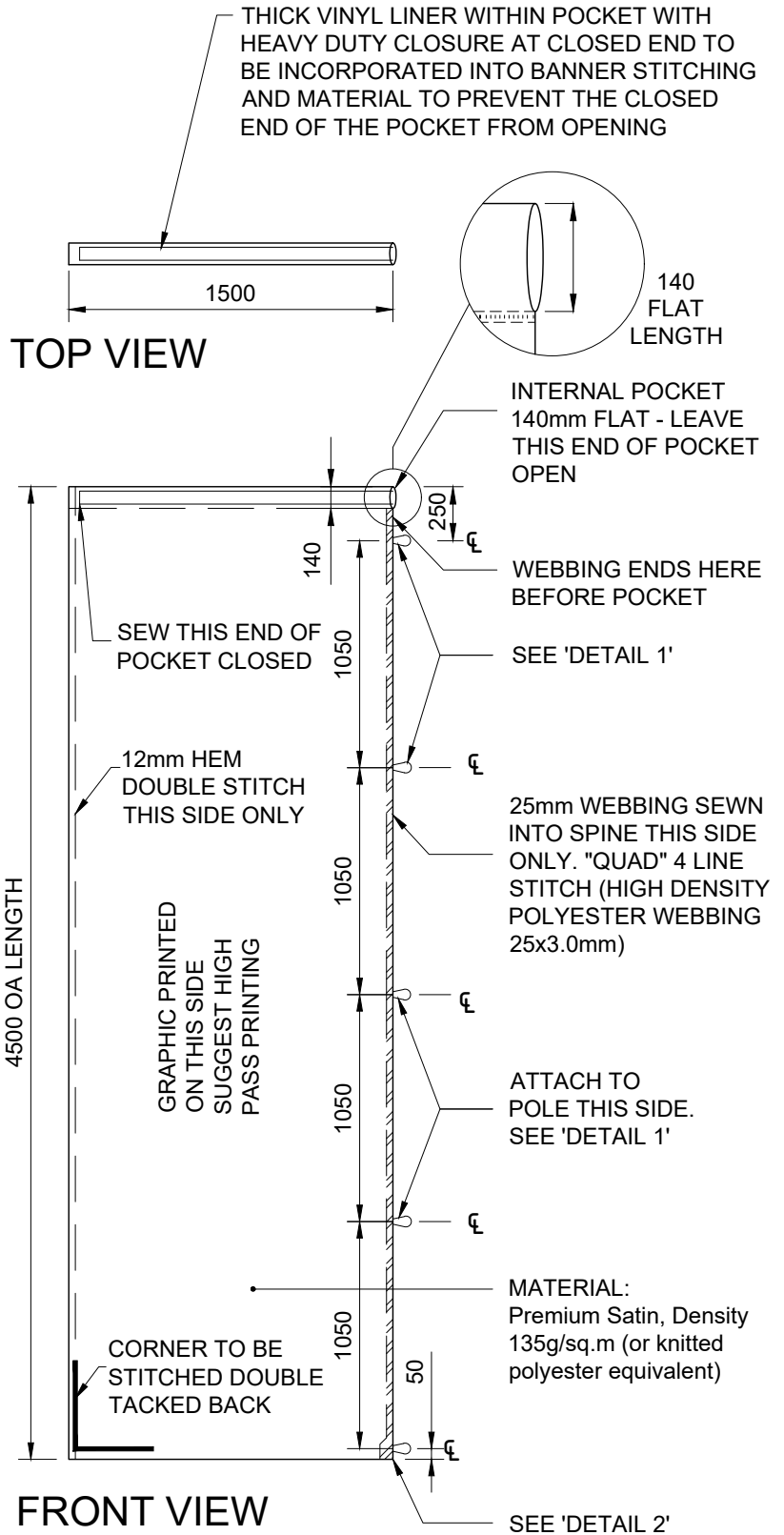
901.01

BANNERS & FLAGS

REVIEWED: 23.10.2024

THESE BANNERS ARE USED IN THE FOLLOWING LOCATIONS:

- T1 - 26 BANNERS ON ST GEORGES TCE
- T2 - 16 BANNERS ON ST GEORGES TCE
- T3 - 28 BANNERS ON ST GEORGES TCE
- T4 - 38 BANNERS ON ADELAIDE TCE
- T5 - 16 BANNERS ON ADELAIDE TCE
- T7 - 10 BANNERS ON ADELAIDE TCE
- M3 - 12 BANNERS IN FORREST PLACE
- W1 - 10 BANNERS ON WELLINGTON ST
- W2 - 22 BANNERS ON WELLINGTON ST
- R2.5 - 8 BANNERS ON ROE ST



Notes:

1. Tape loops must be attached to resist tensile loads of 50kg ea.
2. Webbing material to be high density polyester webbing 25x3.0mm
3. All dimensions to tape loops are to the centre of tape loop attachment.
4. For General Notes refer *Design and Construction Note 900.01*.