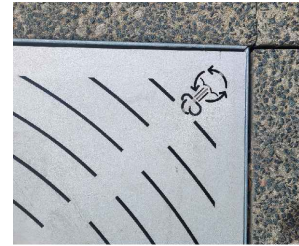
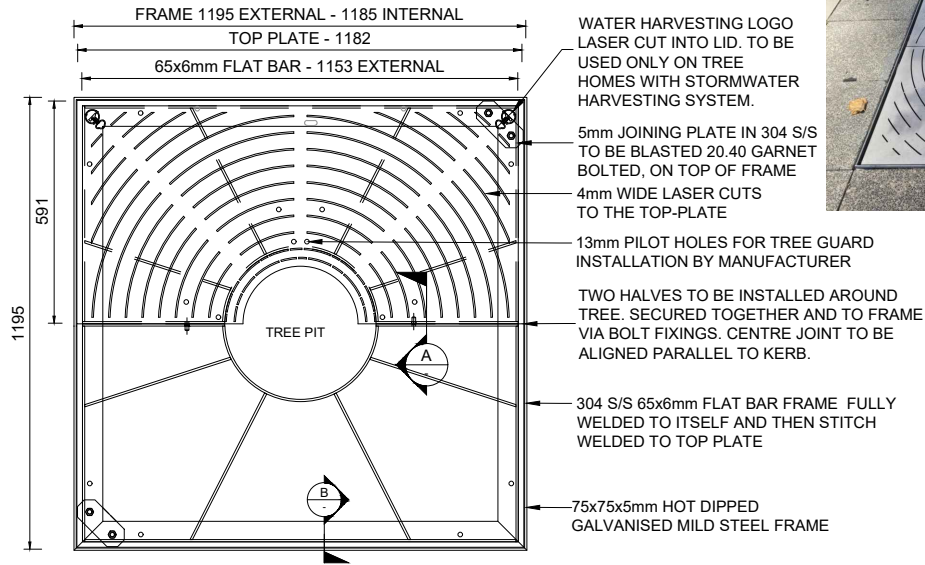


STANDARD CITY TREE GRATE ASSEMBLY

705.01

STREET TREE AND IRRIGATION DESIGN

REVIEWED: 15.03.2024

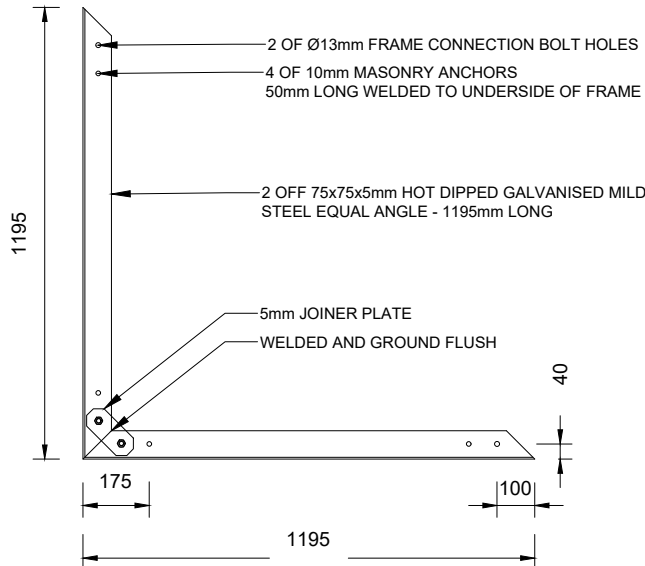


WATER HARVESTING LOGO LASER CUT INTO LID BY MANUFACTURER FOR TREE HOMES WITH STORMWATER HARVESTING SYSTEM ONLY.

STANDARD TREE GRATE PLAN

NOTES

1. ALL FLAT BARS, FIXINGS AND SURFACES TO BE 304 STAINLESS STEEL WITH MILL FINISH.
2. ALL FLAT BARS TO BE TIG WELDED.
3. MANUFACTURE AND INSTALLATION TO COMPLY WITH ALL APPROPRIATE AUSTRALIAN STANDARDS - INCLUDING SLIP RESISTANCE AND LOAD BEARING.
4. FOR MANUFACTURING DETAILS & SPECIFICATIONS, CONTACT CITY REPRESENTATIVE.
5. WATER RETENTION (REINFORCED) TREE-GRATE WITH LOGO IS TO BE USED AT ALL WATER HARVESTING TREE-PITS.
6. REFER TO SPECIFICATION FOR GUIDANCE ON WHERE TREE GRATES ARE REQUIRED.
7. FRAME AND TOP PLATE TO BE INSTALLED WITH 2 HALVES AND CENTRE LINE PARALLEL WITH KERB, ALLOWING A GUARD TO BE INSTALLED PARALLEL TO KERB.



STANDARD TREE GRATE FRAME ASSEMBLY

NOTES:

1. TREE-GRATE FRAME TO COME IN TWO SEPARATE 'L' SHAPED PIECES AND INSTALLED SNUG TOGETHER. CHECK SQUARE AND FLUSH (1690mm ACROSS CORNERS) BEFORE SETTING IN CONCRETE FOOTING.
2. 5mm JOINER PLATES TO BE FIXED TO TOP OF FRAME