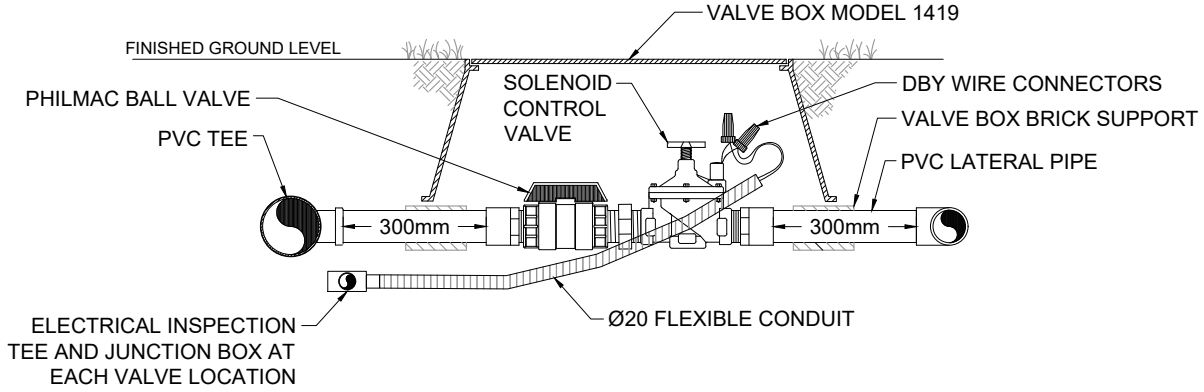


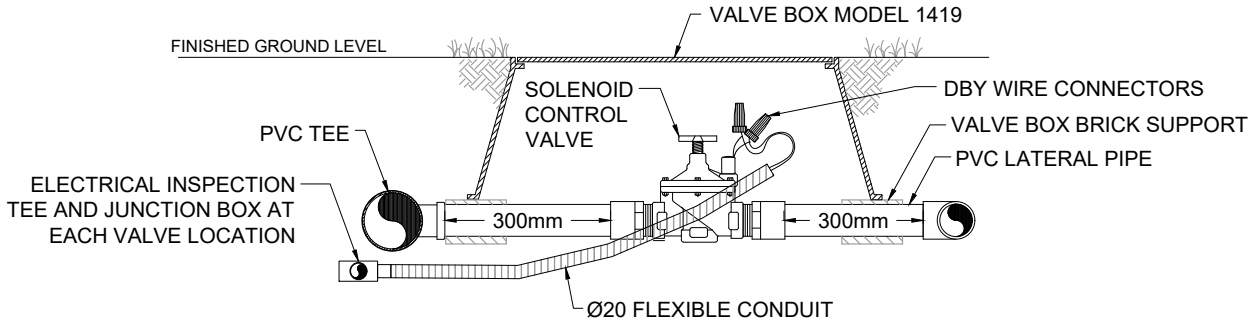
16) Solenoid Control Valves

Solenoid control valves shall be glass reinforced nylon of the type specified on the project drawing. All control valves are to be fitted with flow control stem and a manual bleed facility. Only one make of 24-volt AC valve is to be installed for each project.

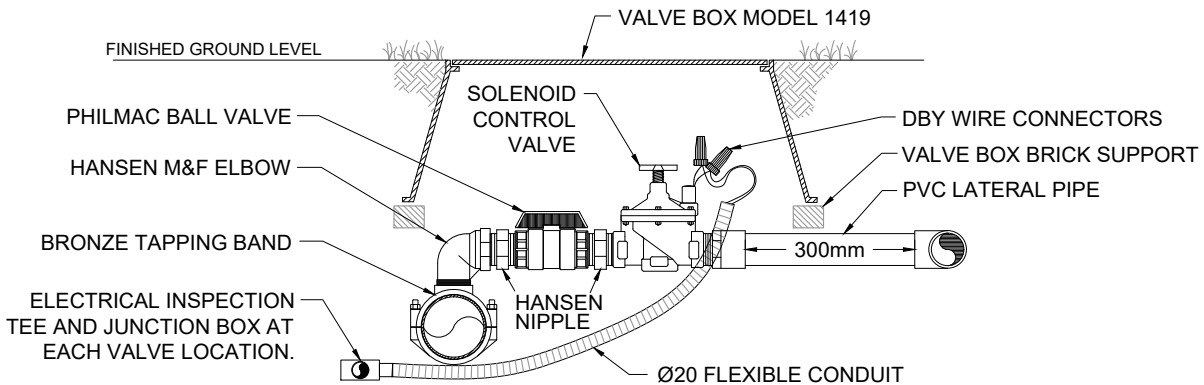
All solenoid valves to have ball valve. All mainlines 80mm and above to have tapping saddle facing upwards with poly elbow, nipple and ball valve



SOLENOID VALVE ON SWJ MAINLINE WITH BALL VALVE



SOLENOID VALVE ON SWJ MAINLINE



SOLENOID VALVE ON RRJ MAINLINE