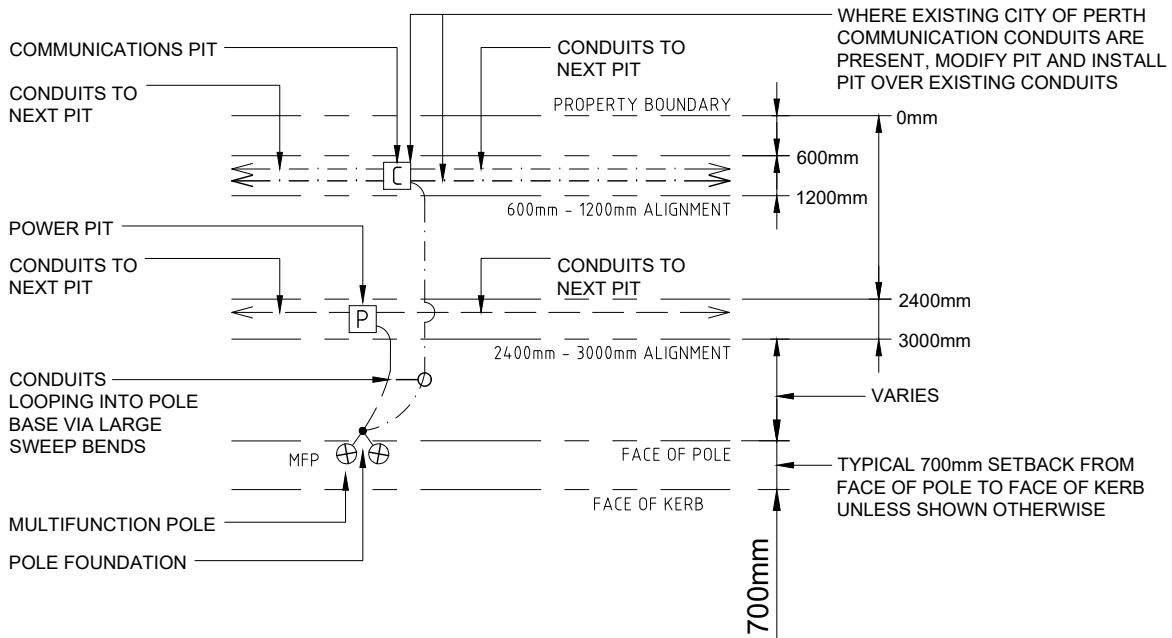


TYPICAL SERVICE ALIGNMENT  
NOT TO SCALE

NOTE: VERIFY AND CONFIRM FINAL SERVICE ALIGNMENT ONSITE WITH THE CITY OF PERTH PRIOR TO COMMENCEMENT OF WORK



TYPICAL PIT AND CONDUIT DETAIL  
NOT TO SCALE

NOTE: CONFIRM FINAL SERVICE ALIGNMENT ONSITE WITH THE CITY OF PERTH PRIOR TO COMMENCEMENT OF WORK