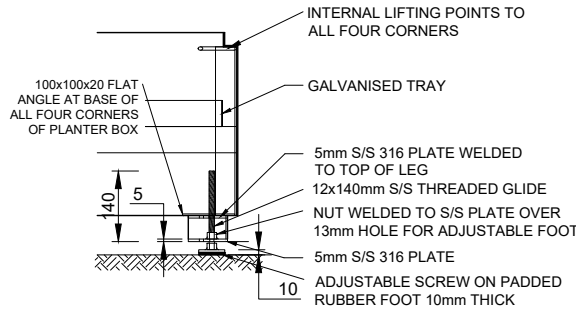
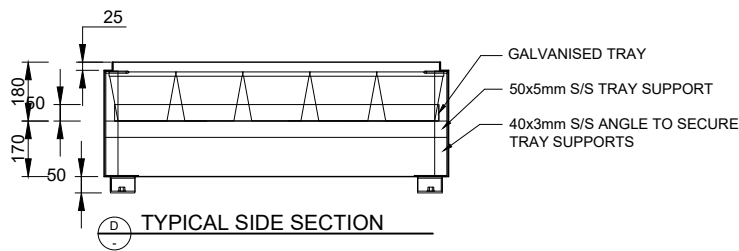
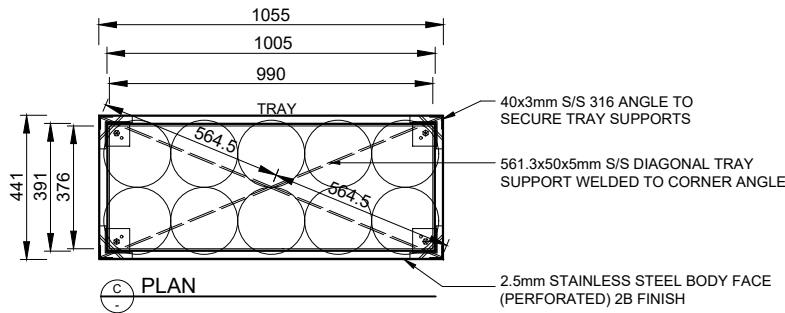
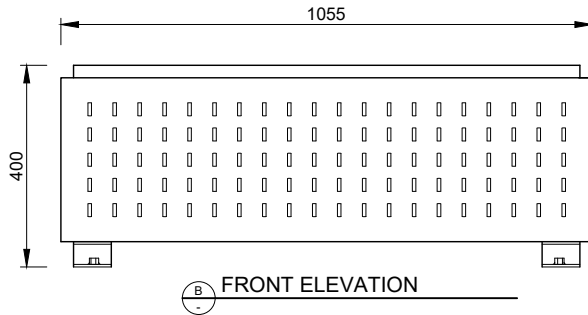
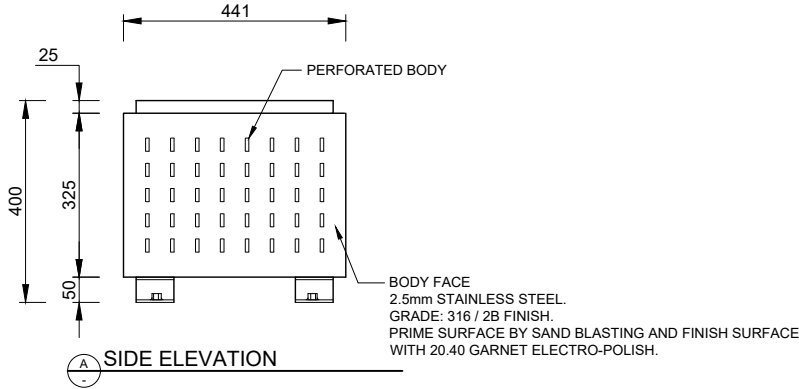


STAINLESS STEEL RECTANGULAR PLANTER

506.03

STREET FURNITURE AND INSTALLATION DETAILS

REVIEWED: 23.06.2024



ADJUSTABLE FOOTING ATTACHMENT DETAIL



PLANTERS SHOULD BE LOCATED:

- * WHERE THEY ARE NEEDED;
- * WHERE THEY NOT ACT AS BARRIERS;
- * WHERE THEY DO NOT BECOME OBSTRUCTIVE;
- * IN URBAN AREAS SUCH AS MALLS AND STREETS.

SINCE THE AVERAGE WEIGHT OF A PLANTER WILL NOT EXCEED THAT OF NORMAL PEDESTRIAN TRAFFIC, PLACING ON THE PAVEMENT WILL NOT CAUSE FOOTING ISSUES.

CITY OF PERTH SUPPLIER	
NAME/ COMPANY	DRAFFIN STREET FURNITURE
CONTACT DETAILS	EMAIL: info@draffin.com.au
	TEL: +61 3 9720 1033