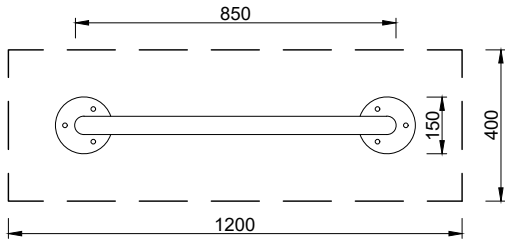


STAINLESS STEEL BIKE RACK

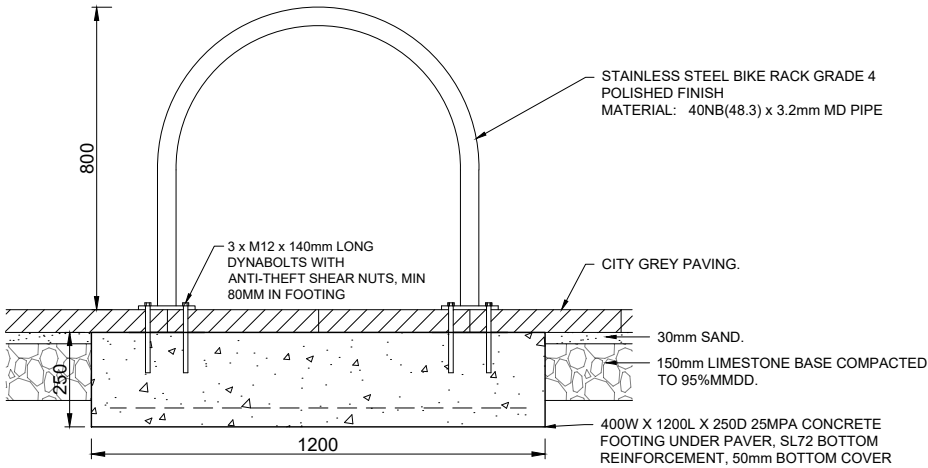
505.01

STREET FURNITURE AND INSTALLATION DETAILS

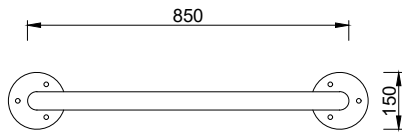
REVIEWED: 23.06.2024



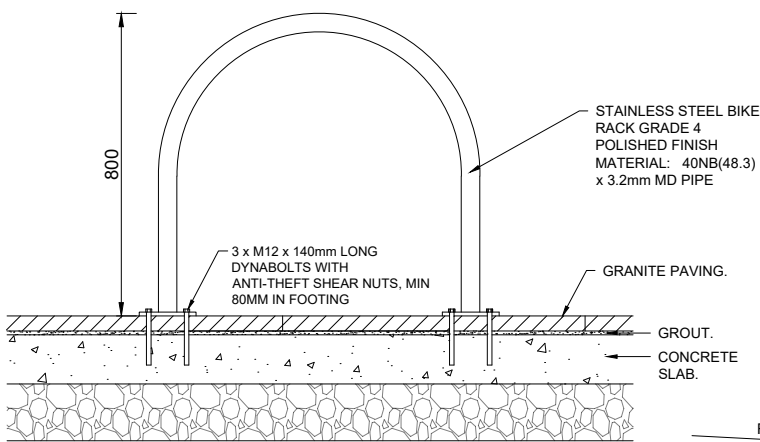
(A) PLAN - BIKE RACK AT CITY GREY PAVING



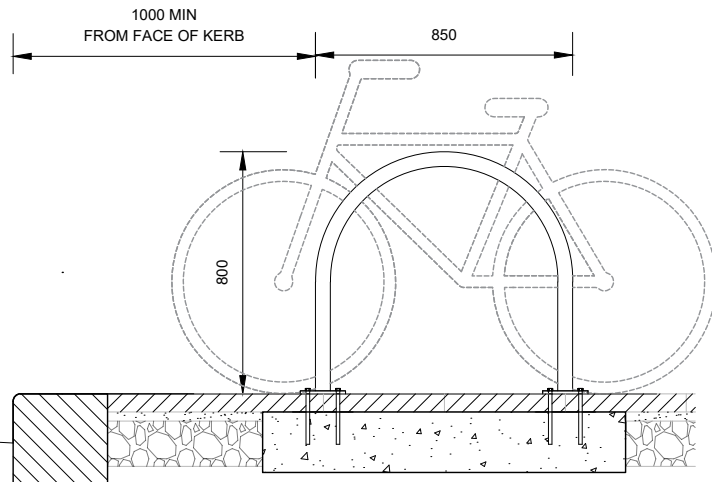
(B) ELEVATION



(C) PLAN - BIKE RACK AT GRANITE PAVING



(D) ELEVATION



KERB SIDE PLACEMENT



GENERAL NOTES:

- BIKE RACKS ARE PROVIDED TO:
- * MAXIMISE SECURITY FOR BICYCLES IN CONVENIENT LOCATIONS;
 - * MINIMISE NUISANCE FROM BICYCLES LEFT IN UNDESIRABLE LOCATIONS; AND
 - * ENCOURAGE PEOPLE TO USE BICYCLES AS AN ALTERNATIVE MODE OF TRANSPORT.

THE FOOTING DESIGN IS ADEQUATE FOR ANY SITUATION WITH SUBGRADE SOIL THAT HAS A BEARING CAPACITY OF 50 KPA OR GREATER. SUBGRADE PREFERABLY IS A COMPACTED NATURAL MATERIAL OR COMPACTED SAND OR CRUSHED ROCK FILLING.

CITY OF PERTH SUPPLIER	
NAME/ COMPANY	DRAFFIN STREET FURNITURE
CONTACT DETAILS	EMAIL: info@draffin.com.au
	TEL: +61 3 9720 1033