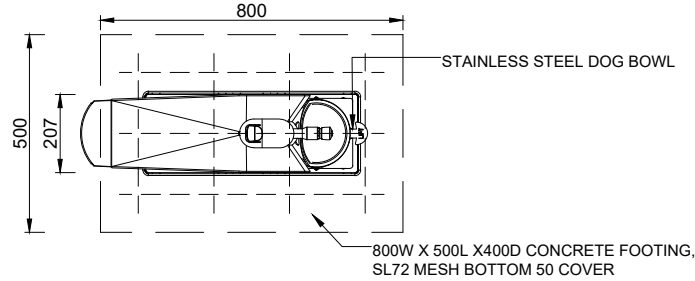


DRINK FOUNTAIN WITH BOTTLE FILL AND DOG BOWL

503.02

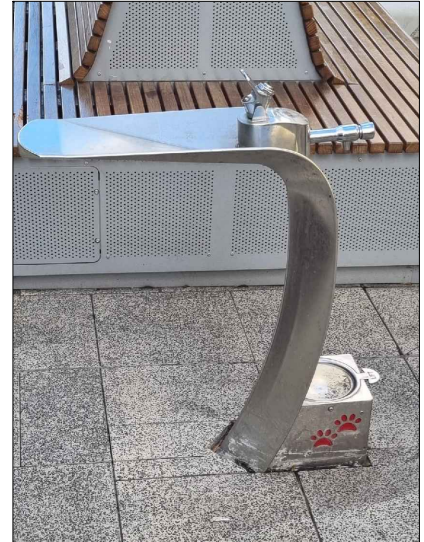
STREET FURNITURE AND INSTALLATION DETAILS

REVIEWED: 23.06.2024



A PLAN

NOTE: REFER TO PROJECT LAYOUT PLANS FOR SPECIFIC PLACEMENT OF FURNITURE.

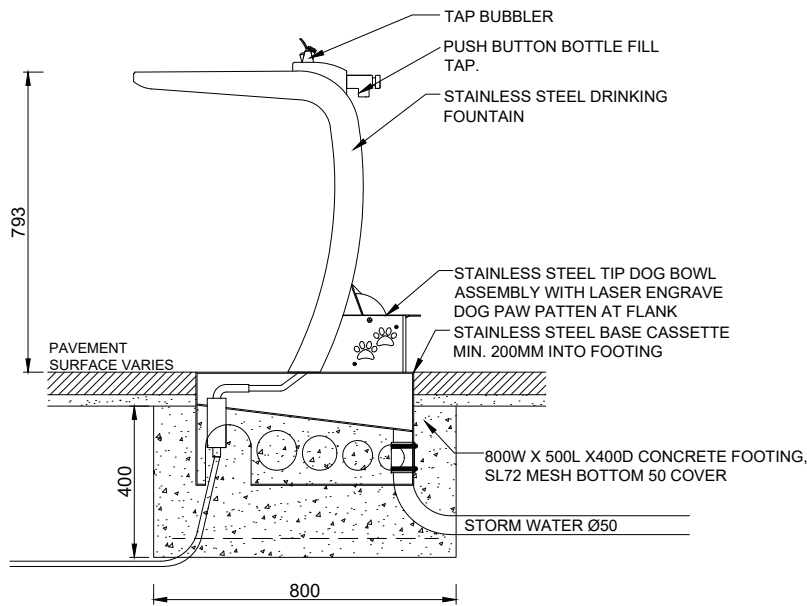


GENERAL NOTES:

DRINKING FOUNTAINS SHOULD BE LOCATED:

- * IN PARKS AND STREETS WHERE THEY ARE NEEDED;
- * WHERE THEY DO NOT BECOME OBSTRUCTIVE;

THE FOOTING DESIGN IS ADEQUATE FOR ANY SITUATION WITH SUBGRADE SOIL THAT HAS A BEARING CAPACITY OF 50 KPA OR GREATER. SUBGRADE PREFERABLY IS A COMPACTED NATURAL MATERIAL OR COMPACTED SAND OR CRUSHED ROCK FILLING.



B SECTIONAL ELEVATION

CITY OF PERTH SUPPLIER	
NAME/ COMPANY	DRAFFIN STREET FURNITURE
CONTACT DETAILS	EMAIL: info@draffin.com.au
	TEL: +61 3 9720 1033