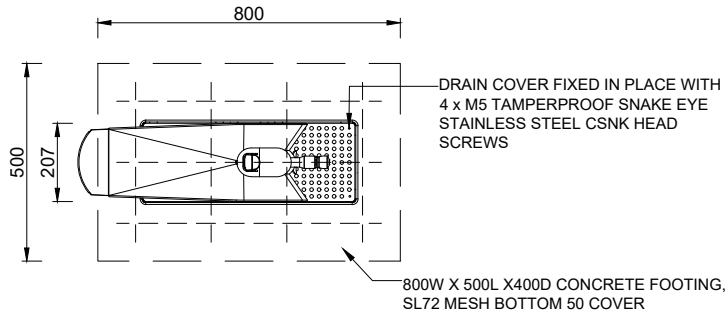


# DRINK FOUNTAIN WITH BOTTLE FILL

# 503.01

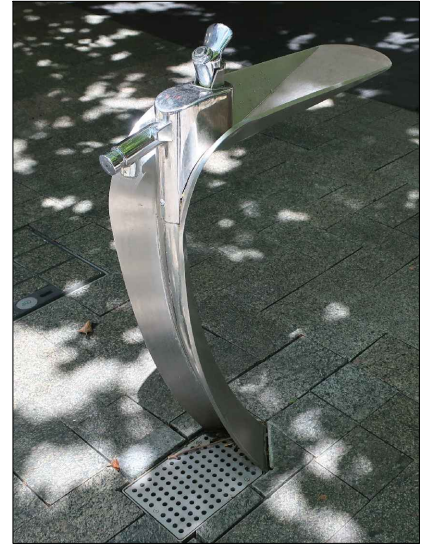
STREET FURNITURE AND INSTALLATION DETAILS

REVIEWED: 23.06.2024



**A** PLAN

NOTE: REFER TO PROJECT LAYOUT PLANS FOR SPECIFIC PLACEMENT OF FURNITURE.



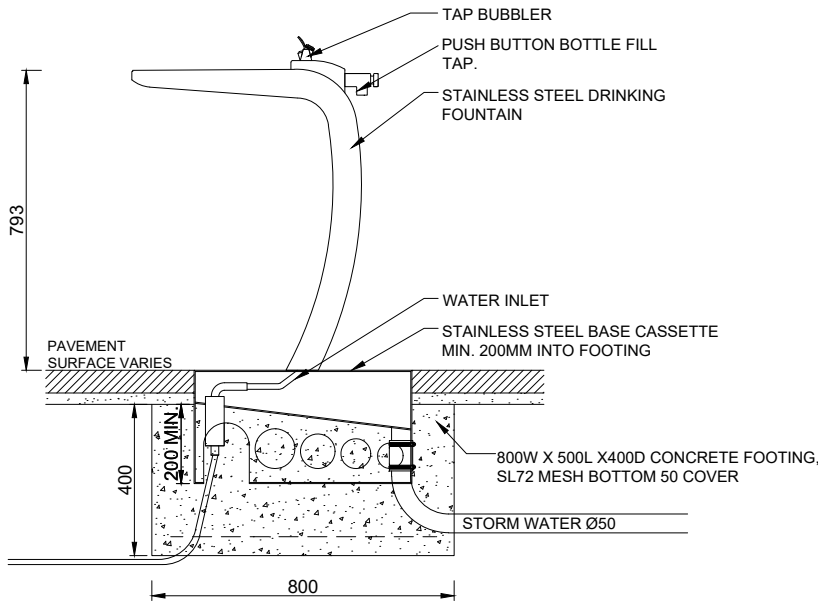
GENERAL NOTES:

DRINKING FOUNTAINS SHOULD BE LOCATED:

- \* IN PARKS AND STREETS WHERE THEY ARE NEEDED;
- \* WHERE THEY DO NOT BECOME OBSTRUCTIVE;

THE FOOTING DESIGN IS ADEQUATE FOR ANY SITUATION WITH SUBGRADE SOIL THAT HAS A BEARING CAPACITY OF 50 KPA OR GREATER. SUBGRADE PREFERABLY IS A COMPACTED NATURAL MATERIAL OR COMPACTED SAND OR CRUSHED ROCK FILLING.

CITY OF PERTH SUPPLIER	
NAME/ COMPANY	DRAFFIN STREET FURNITURE
CONTACT DETAILS	EMAIL: info@draffin.com.au
	TEL: +61 3 9720 1033



**B** SECTIONAL ELEVATION