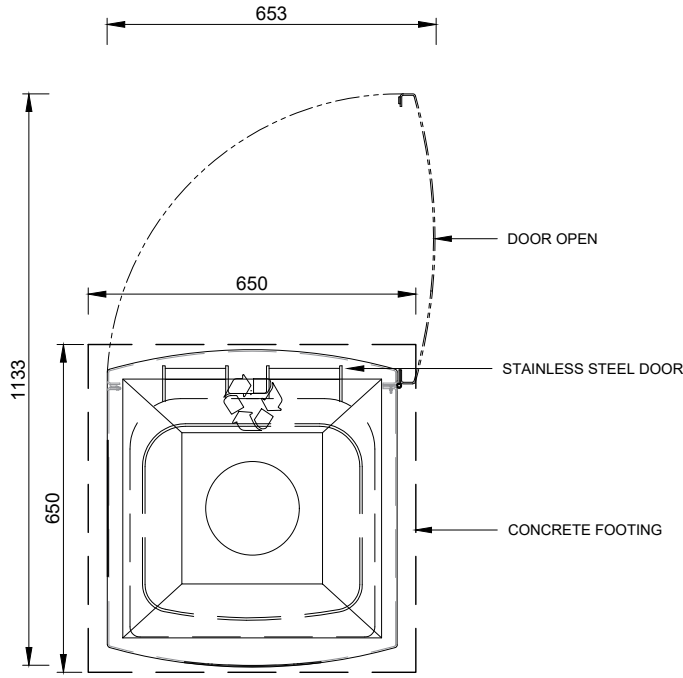


# 120L RECYCLE BIN ENCLOSURE

# 502.07

STREET FURNITURE AND INSTALLATION DETAILS

REVIEWED: 23.06.2024



(A) PLAN



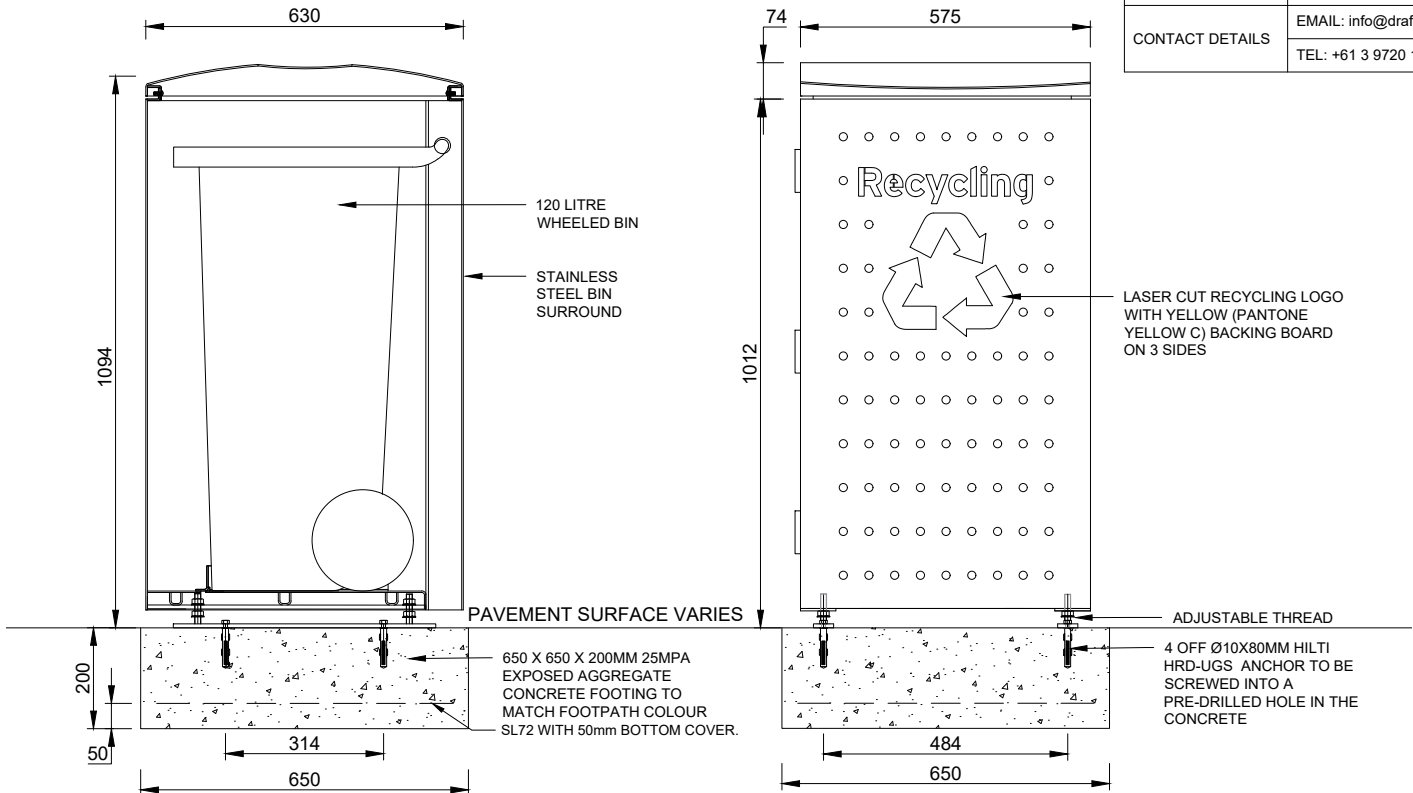
GENERAL NOTES:

BINS SHOULD BE POSITIONED EITHER PARALLEL OR AT RIGHT ANGLES TO THE STREET AXIS. IN ADDITION, RECYCLE BINS SHOULD BE LOCATED:

- \* IN MALLS AND HIGH PEDESTRIAN AREAS;
- \* WHERE THEY ARE NEEDED;
- \* WHERE THEY DO NOT BECOME OBSTRUCTIVE;
- \* A MINIMUM OF 700MM FROM BIN ENCLOSURE TO THE FACE OF KERB.

THE FOOTING DESIGN IS ADEQUATE FOR ANY SITUATION WITH SUBGRADE SOIL THAT HAS A BEARING CAPACITY OF 50 KPA OR GREATER. SUBGRADE PREFERABLY IS A COMPACTED NATURAL MATERIAL OR COMPACTED SAND OR CRUSHED ROCK FILLING.

CITY OF PERTH SUPPLIER	
NAME/ COMPANY	DRAFFIN STREET FURNITURE
CONTACT DETAILS	EMAIL: info@draffin.com.au TEL: +61 3 9720 1033



(B) SECTION

(C) ELEVATION