

# 120L WASTE BIN

# 502.05

STREET FURNITURE AND INSTALLATION DETAILS

REVIEWED: 23.06.2024



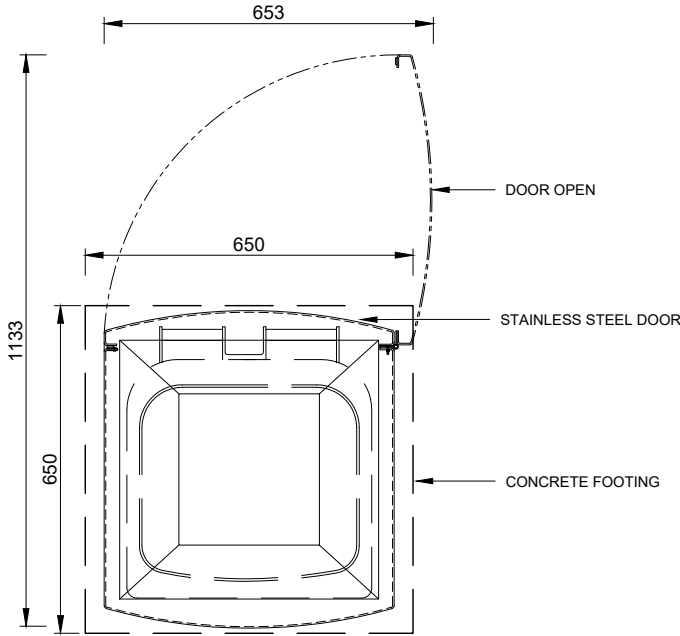
GENERAL NOTES:

BINS SHOULD BE POSITIONED EITHER PARALLEL OR AT RIGHT ANGLES TO THE STREET AXIS. IN ADDITION, BINS SHOULD BE LOCATED:

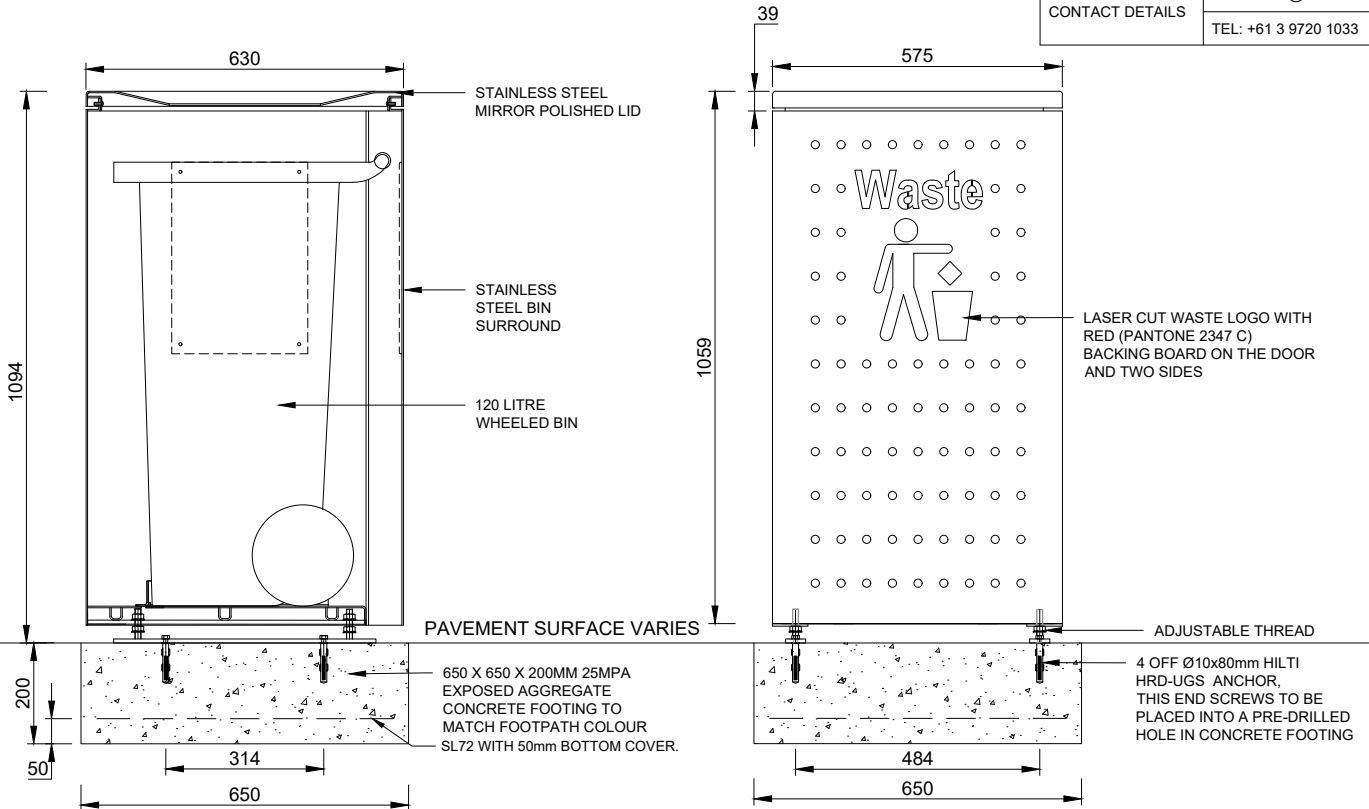
- \* IN NON SMOKING AREAS SUCH AS MALLS;
- \* WHERE THEY ARE NEEDED;
- \* WHERE THEY DO NOT BECOME OBSTRUCTIVE;
- \* A MINIMUM OF 700MM FROM BIN ENCLOSURE TO THE FACE OF KERB.

THE FOOTING DESIGN IS ADEQUATE FOR ANY SITUATION WITH SUBGRADE SOIL THAT HAS A BEARING CAPACITY OF 50 KPA OR GREATER. SUBGRADE PREFERABLY IS A COMPACTED NATURAL MATERIAL OR COMPACTED SAND OR CRUSHED ROCK FILLING.

| CITY OF PERTH SUPPLIER |                            |
|------------------------|----------------------------|
| NAME/ COMPANY          | DRAFFIN STREET FURNITURE   |
| CONTACT DETAILS        | EMAIL: info@draffin.com.au |
|                        | TEL: +61 3 9720 1033       |



**A** PLAN



**B** SECTION

**C** ELEVATION