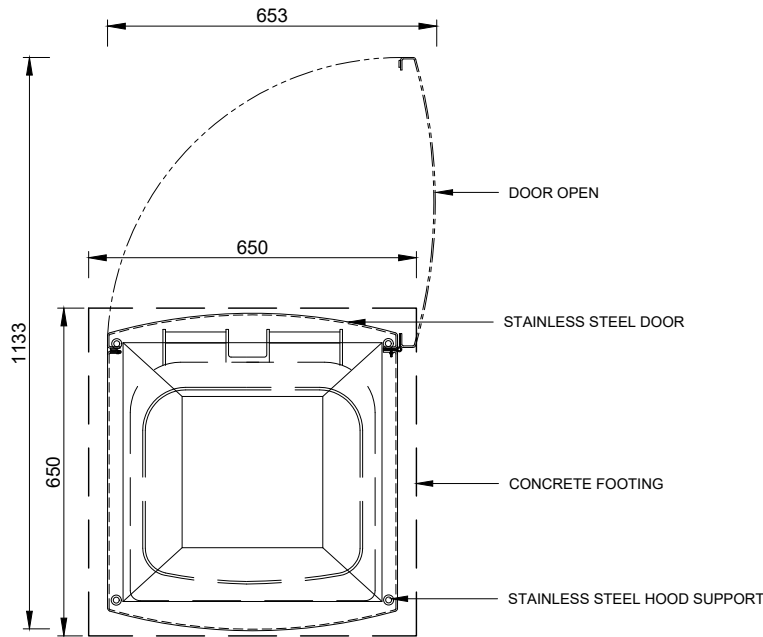


120L WASTE BIN WITH HOOD

502.04

STREET FURNITURE AND INSTALLATION DETAILS

REVIEWED: 23.06.2024



(A) PLAN



GENERAL NOTES:

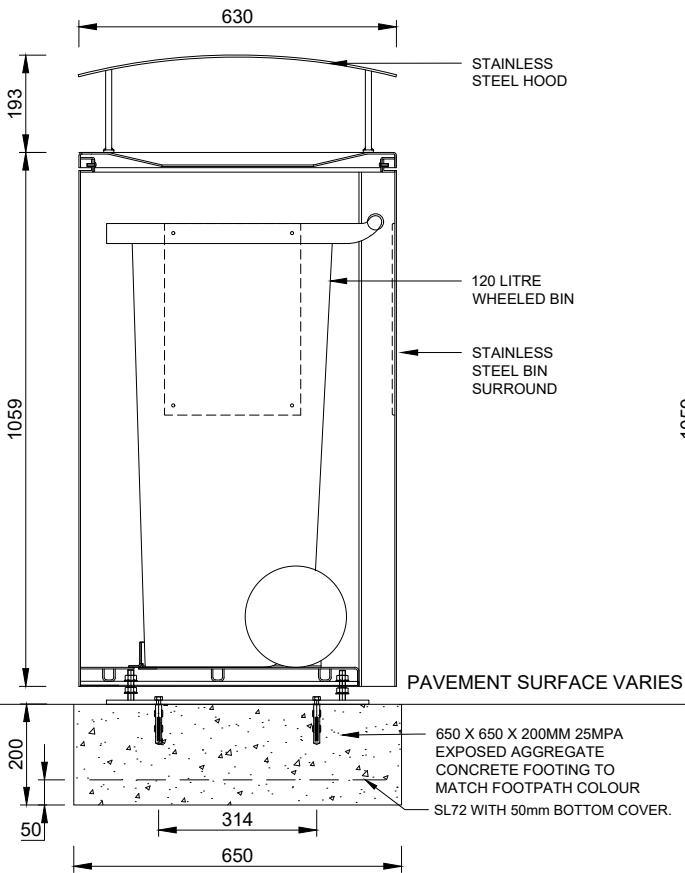
BINS SHOULD BE POSITIONED EITHER PARALLEL OR AT RIGHT ANGLES TO THE STREET AXIS. IN ADDITION, BINS SHOULD BE LOCATED:

- * IN PARKS OR FORESHORE AREA;
- * WHERE THEY ARE NEEDED;
- * WHERE THEY DO NOT BECOME OBSTRUCTIVE;
- * A MINIMUM OF 700MM FROM BIN ENCLOSURE TO THE FACE OF KERB.

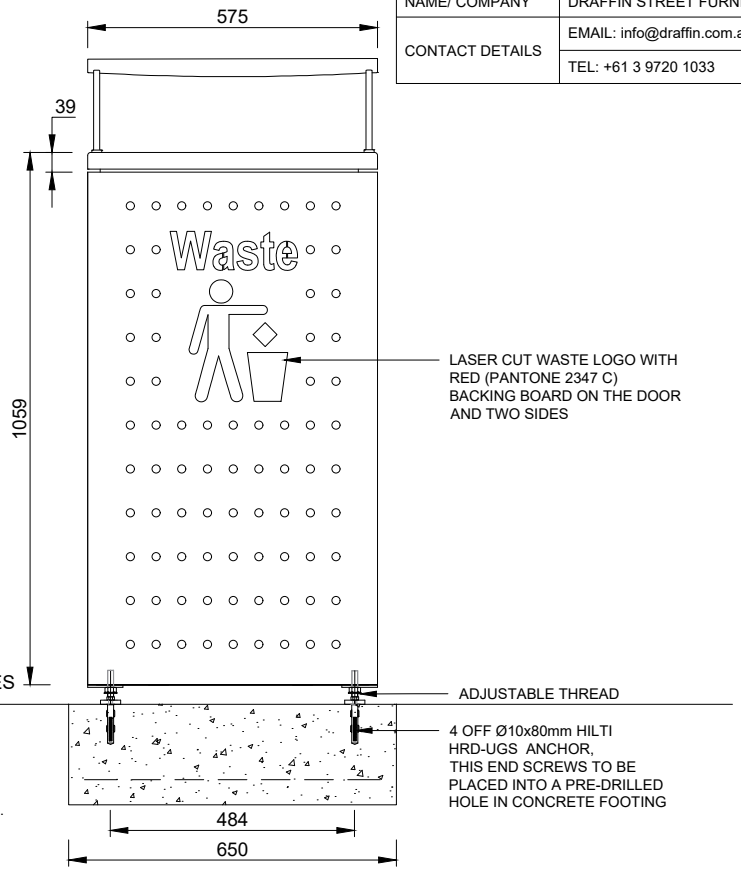
THE FOOTING DESIGN IS ADEQUATE FOR ANY SITUATION WITH SUBGRADE SOIL THAT HAS A BEARING CAPACITY OF 50 KPA OR GREATER. SUBGRADE PREFERABLY IS A COMPACTED NATURAL MATERIAL OR COMPACTED SAND OR CRUSHED ROCK FILLING.

CITY OF PERTH SUPPLIER

NAME/ COMPANY	DRAFFIN STREET FURNITURE
CONTACT DETAILS	EMAIL: info@draffin.com.au TEL: +61 3 9720 1033



(B) SECTION



(C) ELEVATION