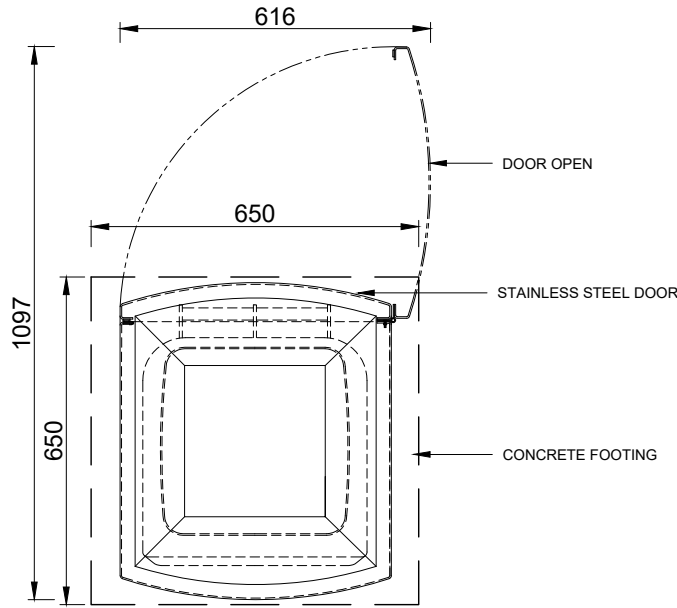


# 80L WASTE BIN

# 502.02

STREET FURNITURE AND INSTALLATION DETAILS

REVIEWED: 23.06.2024



A PLAN

INTENTIONALLY BLANK

GENERAL NOTES:

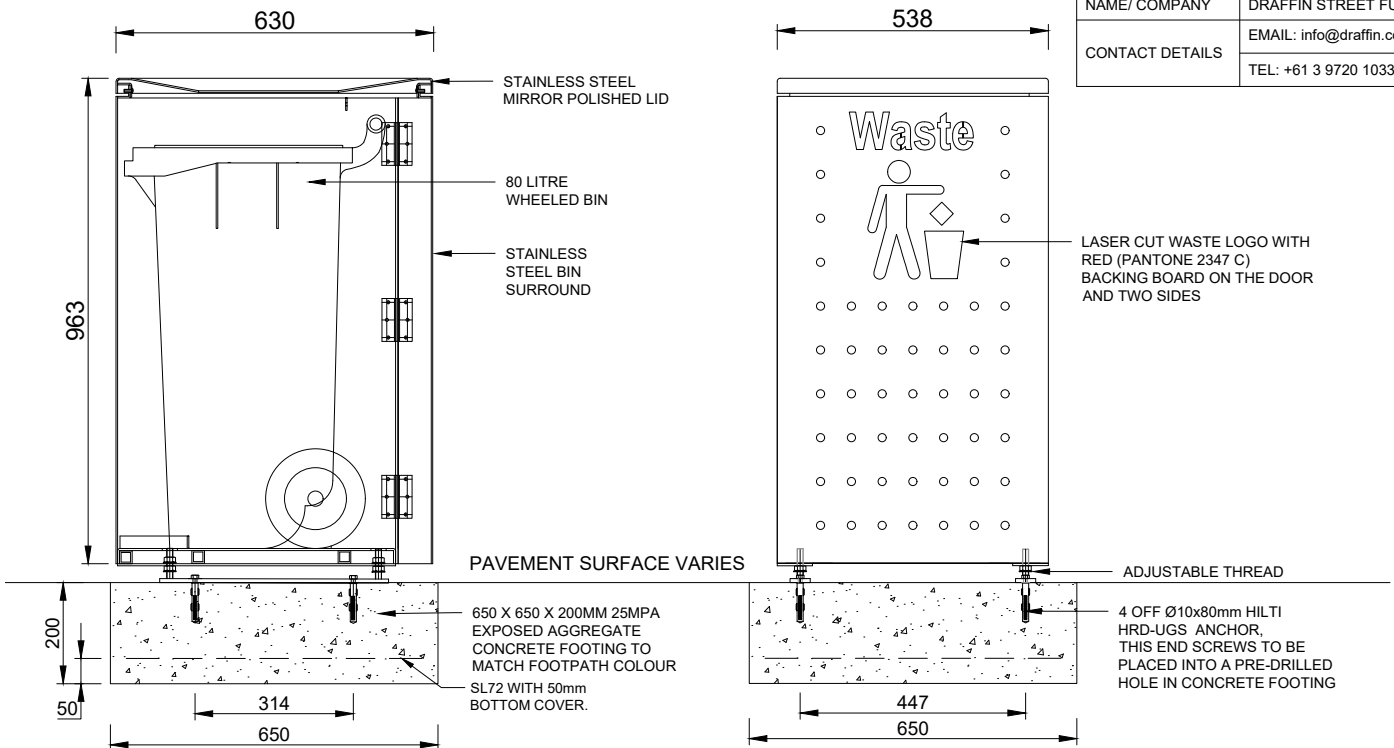
BINS SHOULD BE POSITIONED EITHER PARALLEL OR AT RIGHT ANGLES TO THE STREET AXIS. IN ADDITION, BINS SHOULD BE LOCATED:

- \* IN MALLS AND HIGH PEDESTRIAN AREAS;
- \* WHERE THEY ARE NEEDED;
- \* WHERE THEY DO NOT BECOME OBSTRUCTIVE;
- \* A MINIMUM OF 700MM FROM BIN ENCLOSURE TO THE FACE OF KERB.

THE FOOTING DESIGN IS ADEQUATE FOR ANY SITUATION WITH SUBGRADE SOIL THAT HAS A BEARING CAPACITY OF 50 KPA OR GREATER. SUBGRADE PREFERABLY IS A COMPACTED NATURAL MATERIAL OR COMPACTED SAND OR CRUSHED ROCK FILLING.

CITY OF PERTH SUPPLIER

NAME/ COMPANY	DRAFFIN STREET FURNITURE
CONTACT DETAILS	EMAIL: info@draffin.com.au TEL: +61 3 9720 1033



B SECTION

C ELEVATION