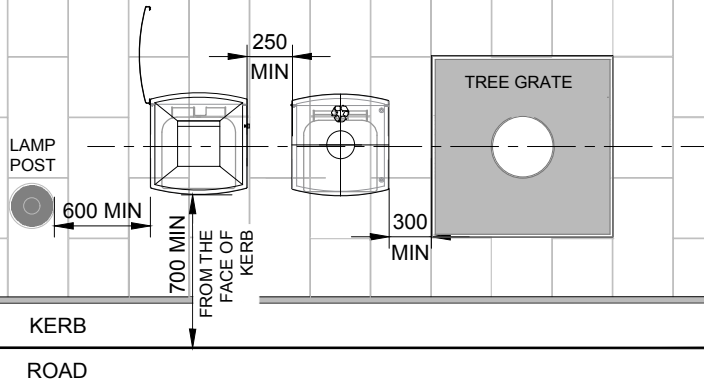


BUILDING LINE/ PROPERTY BOUNDARY



KERB SIDE PLACEMENT



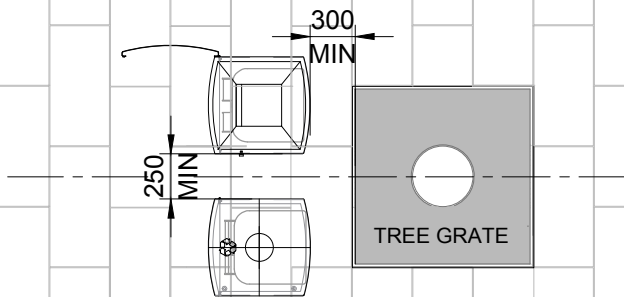
GENERAL NOTES:

BINS SHOULD BE POSITIONED EITHER PARALLEL OR AT RIGHT ANGLES TO THE STREET AXIS. IN ADDITION, BINS SHOULD BE LOCATED:

- * IN MALLS AND HIGH PEDESTRIAN AREAS;
- * WHERE THEY ARE NEEDED;
- * WHERE THEY DO NOT BECOME OBSTRUCTIVE;
- * A MINIMUM OF 700MM FROM BIN ENCLOSURE TO THE FACE OF KERB.

CITY OF PERTH SUPPLIER	
NAME/ COMPANY	DRAFFIN STREET FURNITURE
CONTACT DETAILS	EMAIL: info@draffin.com.au
	TEL: +61 3 9720 1033

BUILDING LINE/ PROPERTY BOUNDARY



PLACEMENT IN PEDESTRIAN MALLS