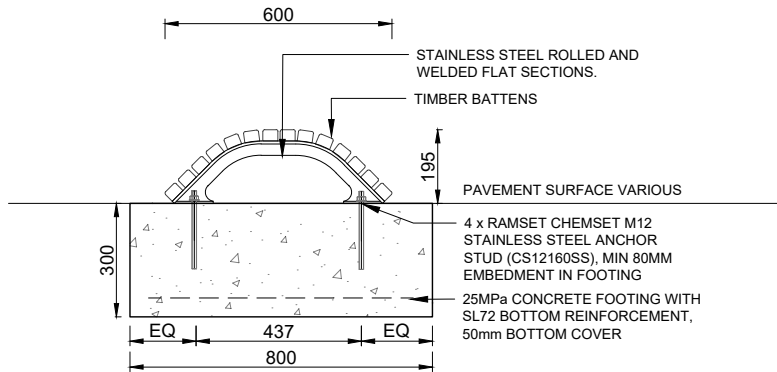


# SUN FOOT REST

# 501.17

STREET FURNITURE AND INSTALLATION DETAILS

REVIEWED: 23.06.2024



**A** SIDE ELEVATION

INTENTIONALLY  
BLANK

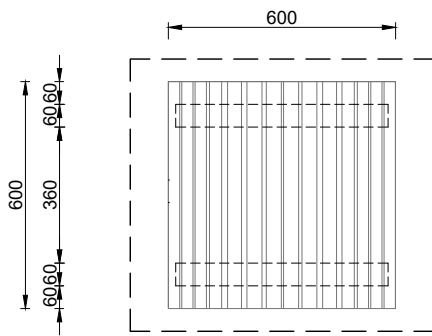
**GENERAL NOTES:**

SUN FOOT REST SHOULD BE LOCATED:

- \* IN PARKS OR ALONG FORESHORE;
- \* ON HARDSTAND;
- \* WHERE THEY ARE NEEDED;
- \* WHERE THEY DO NOT BECOME OBSTRUCTIVE;
- \* IN THE SHADE;
- \* TO CREATE A SENSE OF SAFETY;
- \* TO PROVIDE A VIEW TOWARDS ACTIVITIES.

THE FOOTING DESIGN IS ADEQUATE FOR ANY SITUATION WITH SUBGRADE SOIL THAT HAS A BEARING CAPACITY OF 50 KPA OR GREATER. SUBGRADE PREFERABLY IS A COMPACTED NATURAL MATERIAL OR COMPACTED SAND OR CRUSHED ROCK FILLING.

CITY OF PERTH SUPPLIER	
NAME/ COMPANY	DRAFFIN STREET FURNITURE
CONTACT DETAILS	EMAIL: info@draffin.com.au
	TEL: +61 3 9720 1033



**B** PLAN