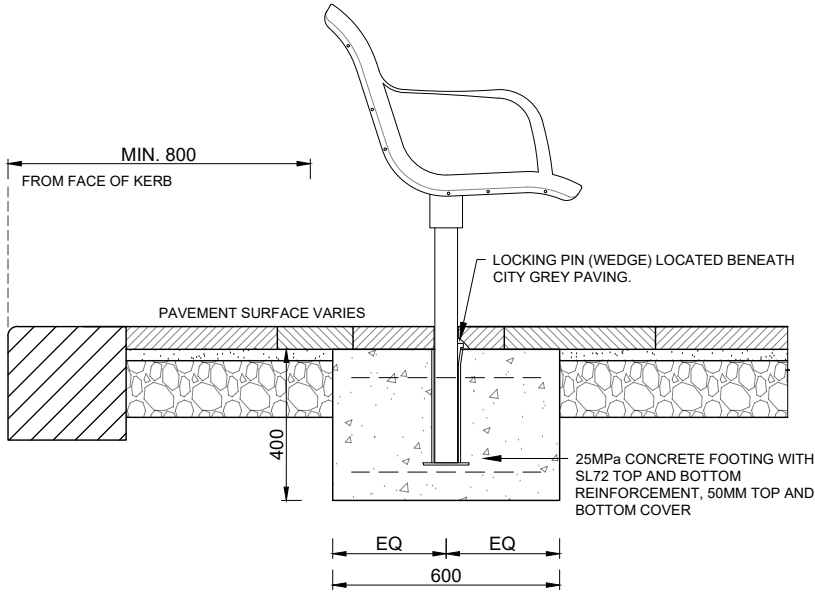


SWIVEL CHAIR - RIGHT ARM

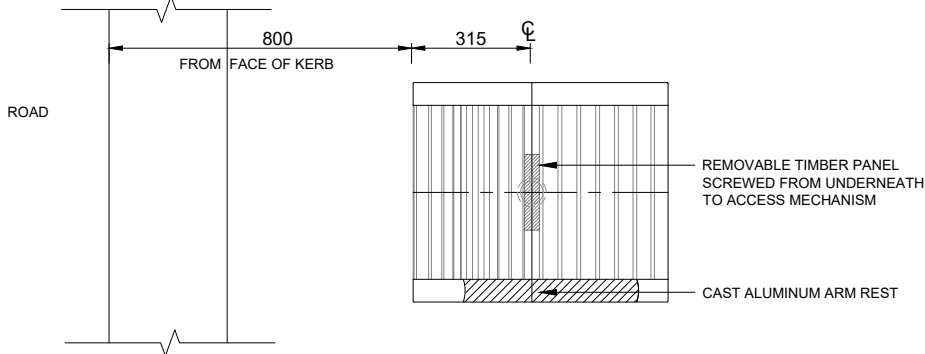
501.04

STREET FURNITURE AND INSTALLATION DETAILS

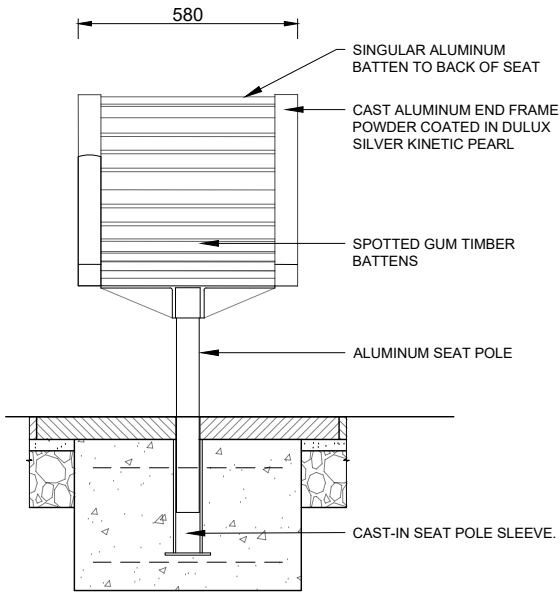
REVIEWED: 23.06.2024



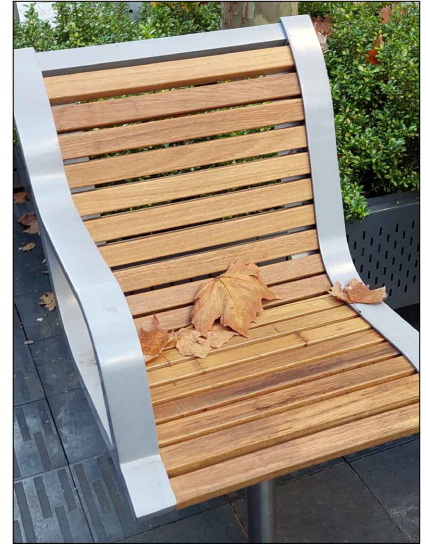
(A) SIDE ELEVATION



(B) PLAN



(C) FRONT ELEVATION



GENERAL NOTES:

SWIVEL CHAIR SHOULD BE POSITIONED EITHER PARALLEL OR AT RIGHT ANGLES TO THE STREET AXIS. IN ADDITION, SEATS SHOULD BE LOCATED:

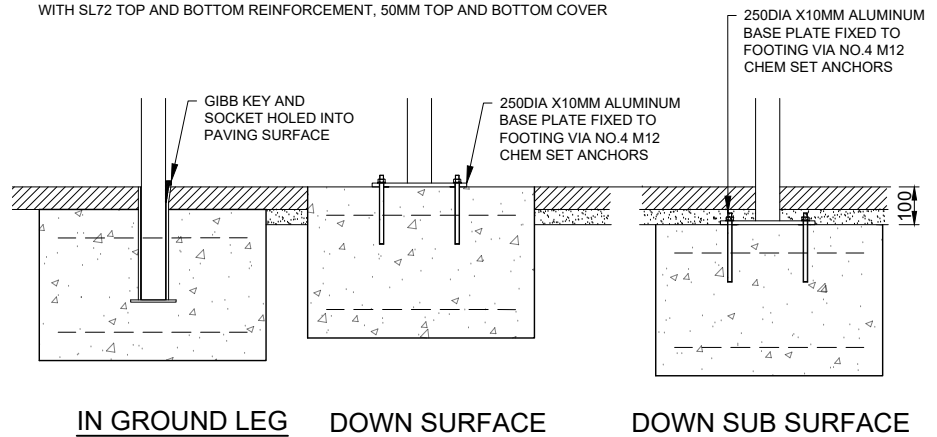
- * IN PARKS, ALONG FORESHORE OR IN URBAN AREAS SUCH AS MALLS;
- * WHERE THEY ARE NEEDED;
- * WHERE THEY DO NOT BECOME OBSTRUCTIVE;
- * IN THE SHADE;
- * TO CREATE A SENSE OF SAFETY;
- * TO PROVIDE A VIEW TOWARDS ACTIVITIES;
- * A MINIMUM OF 800MM FROM THE FACE OF KERB.

THE FOOTING DESIGN IS ADEQUATE FOR ANY SITUATION WITH SUBGRADE SOIL THAT HAS A BEARING CAPACITY OF 50 KPA OR GREATER. SUBGRADE PREFERABLY IS A COMPACTED NATURAL MATERIAL OR COMPACTED SAND OR CRUSHED ROCK FILLING.

| CITY OF PERTH SUPPLIER | |
|------------------------|----------------------------|
| NAME/ COMPANY | DRAFFIN STREET FURNITURE |
| CONTACT DETAILS | EMAIL: info@draffin.com.au |
| | TEL: +61 3 9720 1033 |

FIXING OPTIONS

NOTE: SWIVEL CHAIRS TO BE LOCATED TO ENSURE THAT THE FIXING DOWN BOLTS ARE 50MM MINIMUM FROM JOINTS IN THE PAVING.
FOOTING SIZE FOR ALL FIX OPTIONS: 600X600X400MM 25MPa CONCRETE FOOTING WITH SL72 TOP AND BOTTOM REINFORCEMENT, 50MM TOP AND BOTTOM COVER



NOTE: DIFFERENT FIXING METHODS FOR BENCH SEATING SHALL AFFECT THE LENGTH OF THE SEAT LEGS. THE RELATIVE HEIGHT FROM GROUND LEVEL TO THE SEAT SHALL REMAIN CONSTANT.