

City of Perth

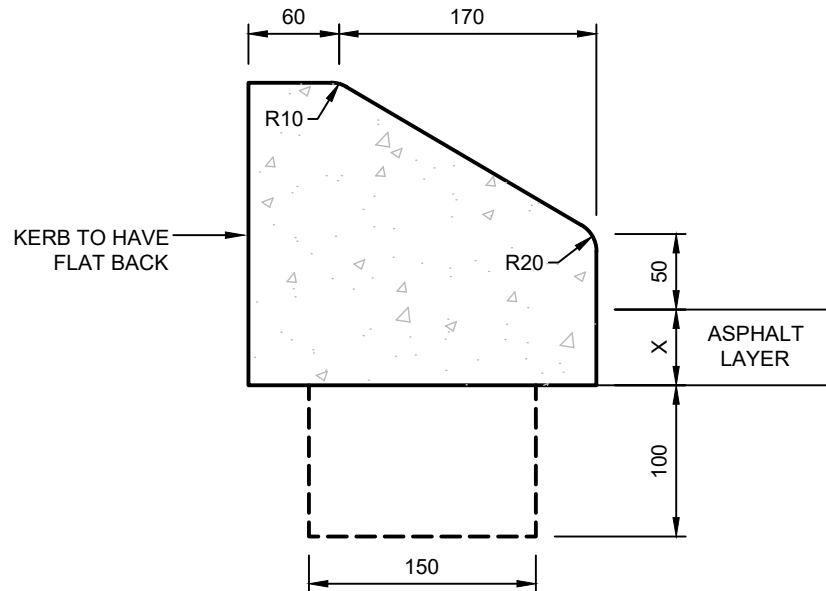
# Design and Construction Note

# 403.04

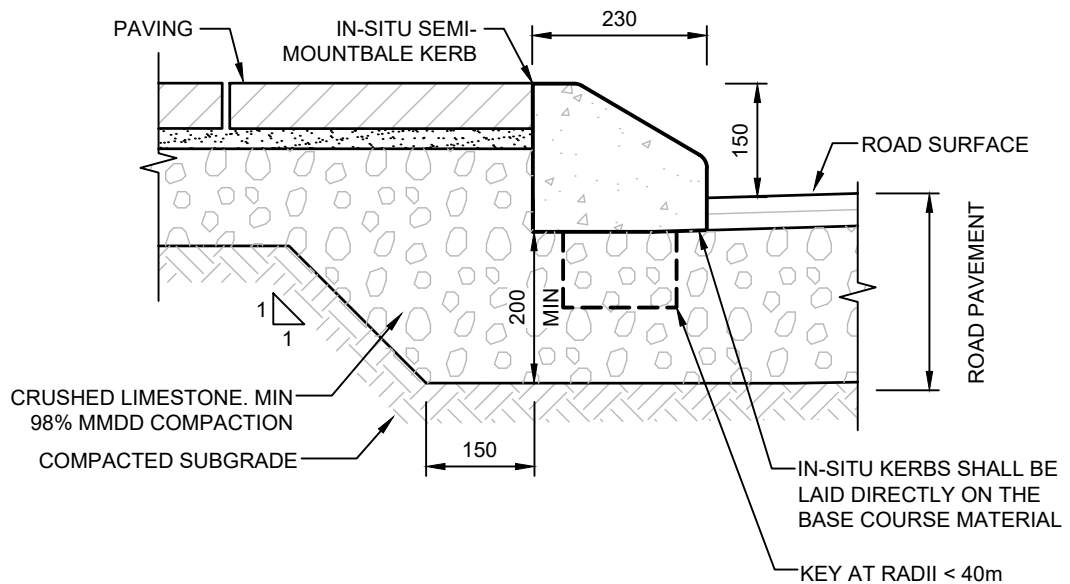
Standard Kerb Types and Installation Details

## In-situ Concrete Semi-Mountable Kerb

Reviewed: 09/06/2021



KERB DIMENSIONS



## IN-SITU CONCRETE SEMI-MOUNTABLE KERB

### General Note:

1. For more information on concrete, mixing and tolerances of precast concrete kerbs refer *Design and Construction Note 403.00 - In-situ Concrete Kerbs General Specification*.