



City of Perth

Design and Construction Note

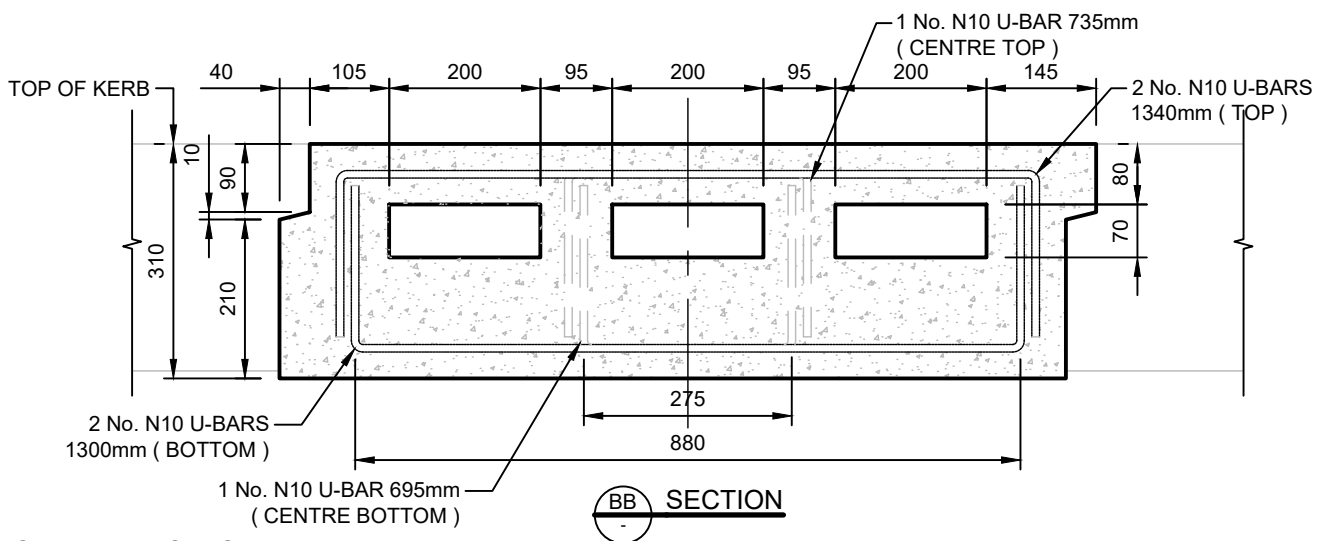
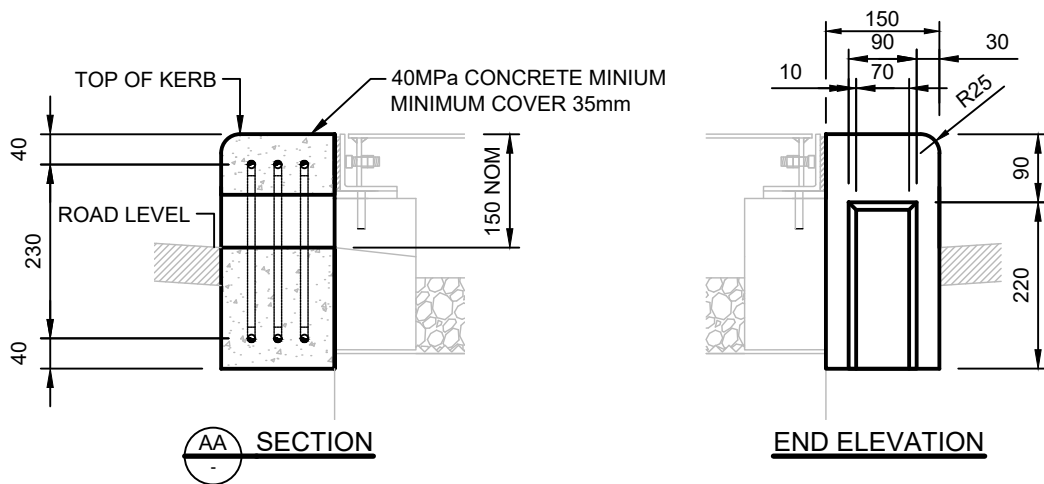
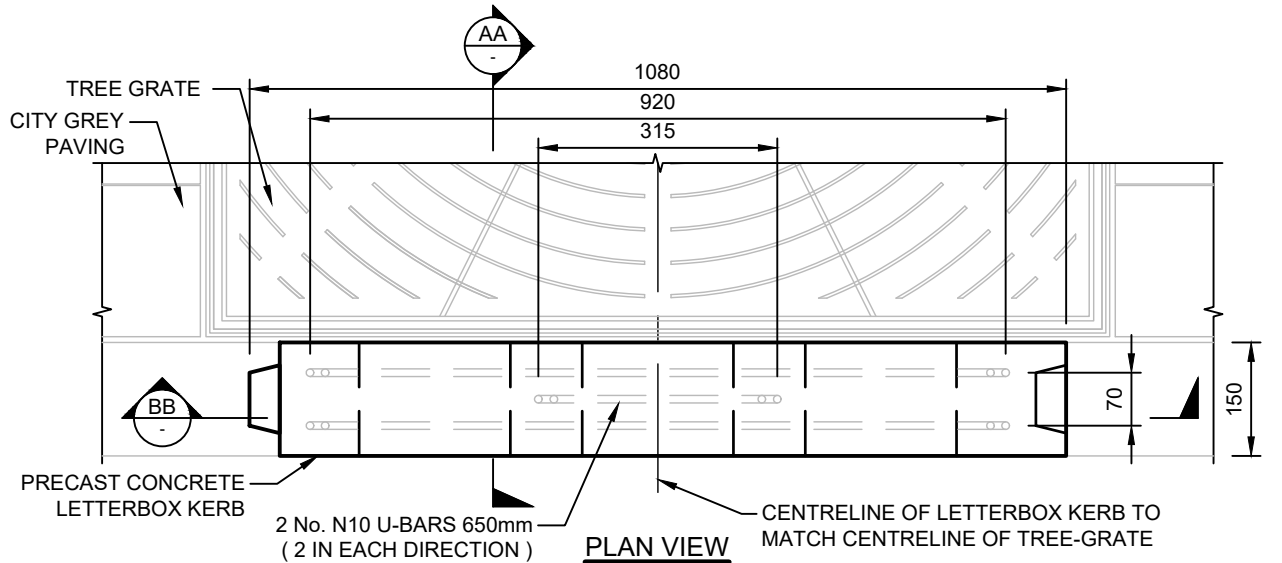
402.09

Standard Kerb Types and Installation Details

Concrete Pre-Cast Kerb

Water Harvesting - Concrete Kerb

Reviewed: 17/10/2018



GENERAL NOTES

1. 40MPa Concrete minimum.
2. 35mm Minimum cover.
3. 200mm Minimum lap.