

City of Perth

Design and Construction Note

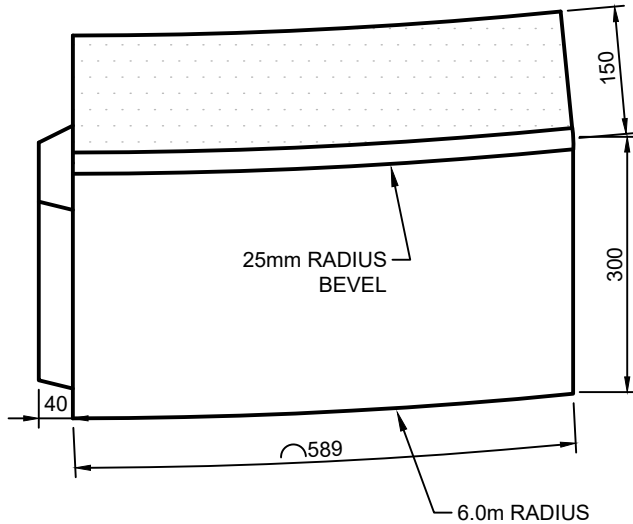
402.08

Standard Kerb Types and Installation Details

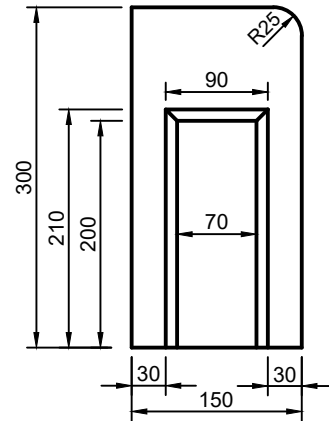
Precast Concrete Radius Kerb

6.0m Radius

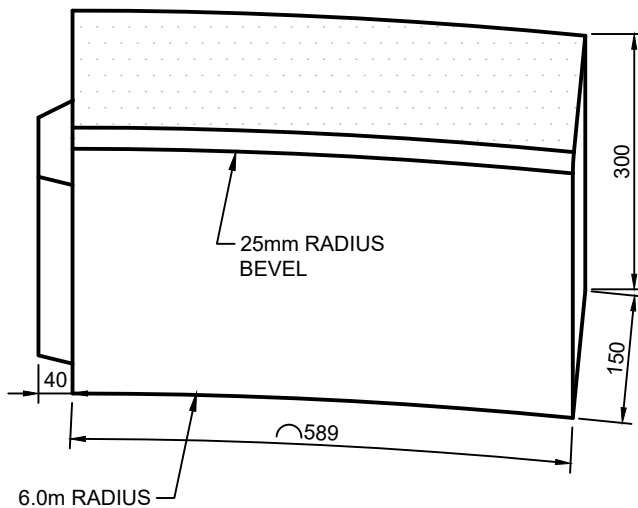
Reviewed: 17/10/2018



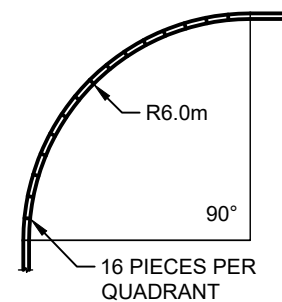
CONVEX KERB



END ELEVATION



CONCAVE KERB



QUADRANT

PRECAST CONCRETE RADIUS KERB - 6.0m RADIUS

ARC LENGTH: 589mm
QTY PER QUADRANT: 16
CONVEX & CONCAVE

General Note:

1. For more information on concrete, mixing and tolerances of precast concrete kerbs refer *Design and Construction Note 402.00 - Precast Concrete Kerbs General Specification*.