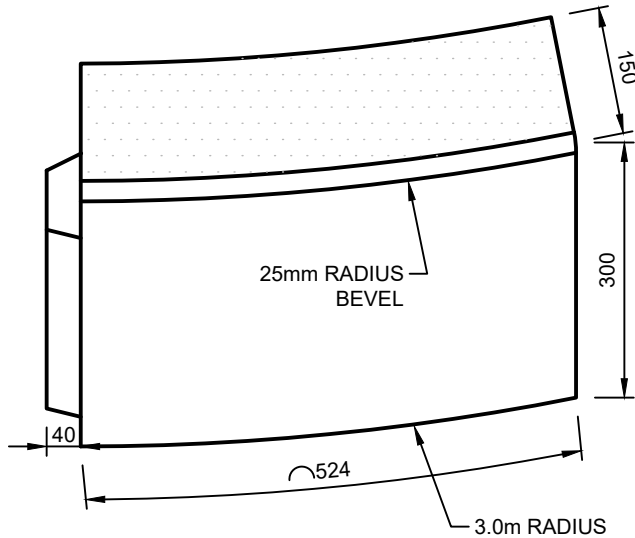
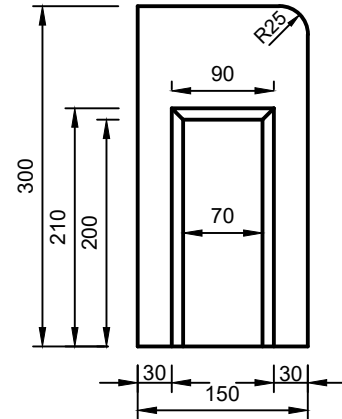


City of Perth

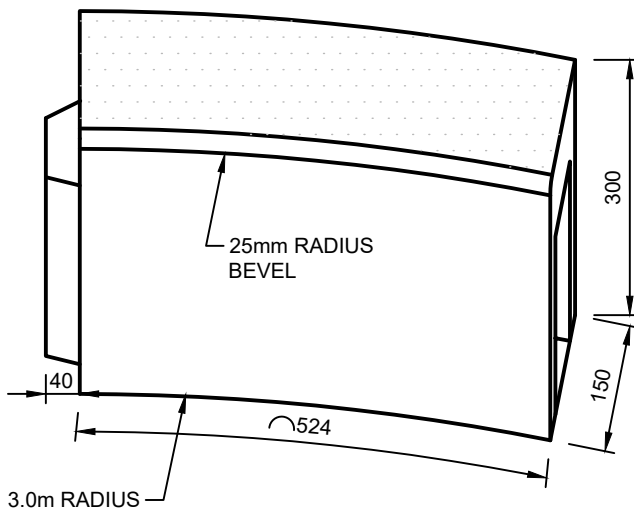
Design and Construction Note
402.07
Standard Kerb Types and Installation Details
Precast Concrete Radius Kerb
3.0m Radius
Reviewed: 17/10/2018



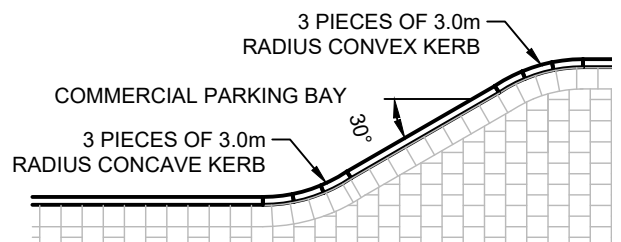
CONVEX KERB



END ELEVATION



CONCAVE KERB



TYPICAL USE

PRECAST CONCRETE RADIUS KERB - 3.0m RADIUS

ARC LENGTH: 524mm
QTY PER QUADRANT: 6
CONVEX & CONCAVE

General Note:

1. For more information on concrete, mixing and tolerances of precast concrete kerbs refer *Design and Construction Note 402.00 - Precast Concrete Kerbs General Specification*.