

City of Perth

# Design and Construction Note

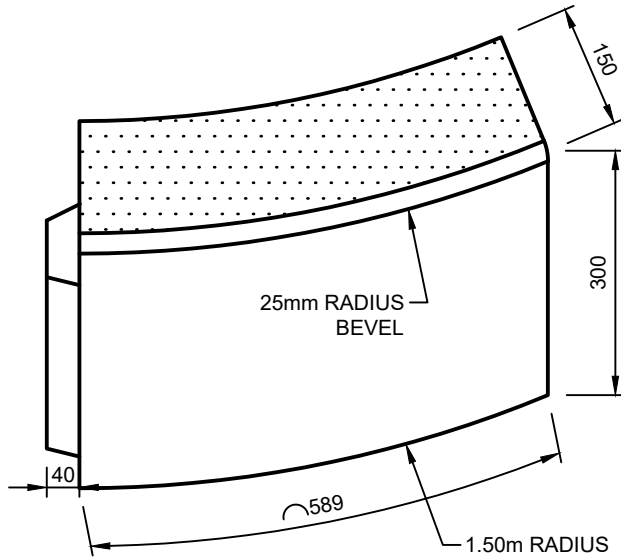
# 402.06

Standard Kerb Types and Installation Details

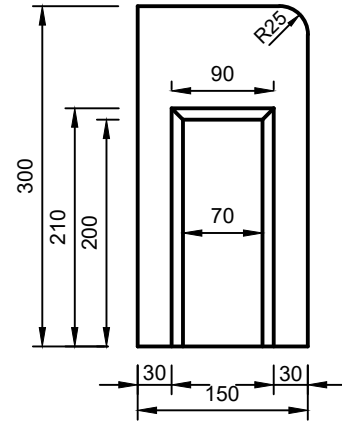
## Precast Concrete Radius Kerb

### 1.50m Radius

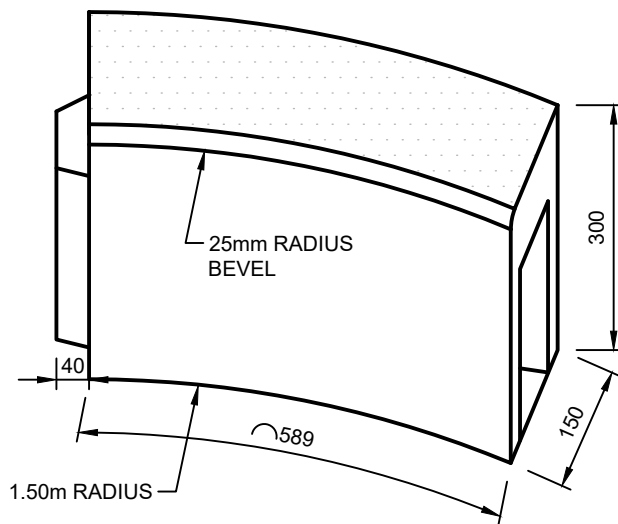
Reviewed: 17/10/2018



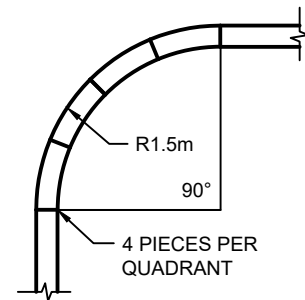
CONVEX KERB



END ELEVATION



CONCAVE KERB



QUADRANT

## PRECAST CONCRETE RADIUS KERB - 1.50m RADIUS

ARC LENGTH: 589mm  
QTY PER QUADRANT: 4  
CONVEX & CONCAVE

### General Note:

1. For more information on concrete, mixing and tolerances of precast concrete kerbs refer *Design and Construction Note 402.00 - Precast Concrete Kerbs General Specification*.