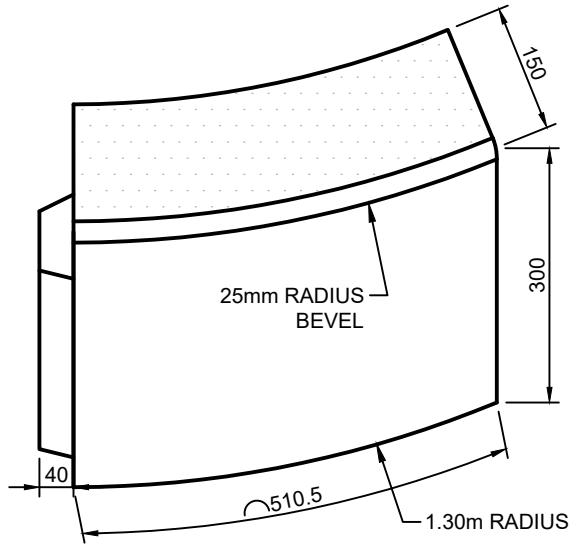




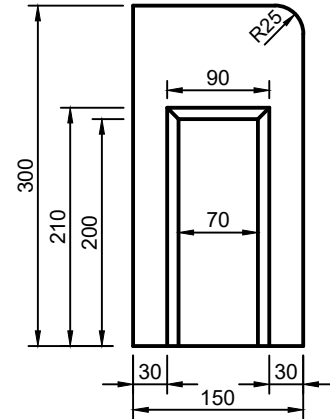
City of Perth

Design and Construction Note 402.05

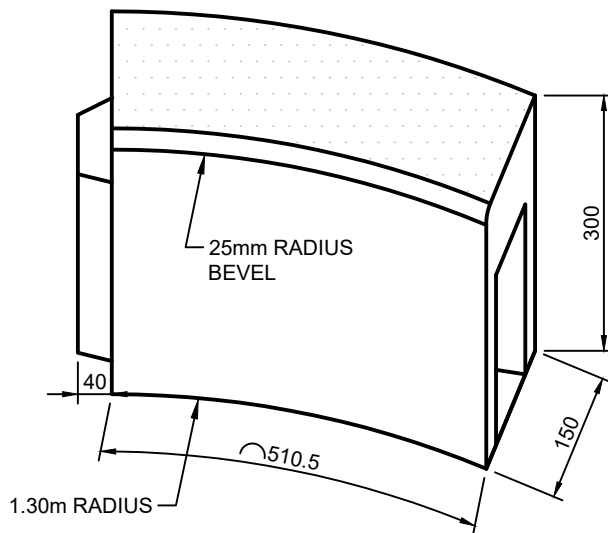
Standard Kerb Types and Installation Details
Precast Concrete Radius Kerb
1.30m Radius
Reviewed: 17/10/2018



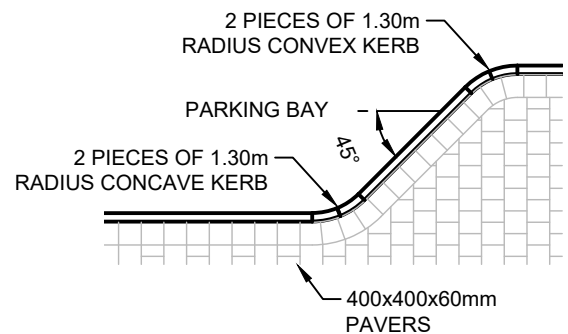
CONVEX KERB



END ELEVATION



CONCAVE KERB



TYPICAL USE

PRECAST CONCRETE RADIUS KERB - 1.30m RADIUS

ARC LENGTH: 510.5mm
QTY PER QUADRANT: 4
CONVEX & CONCAVE

General Note:

1. For more information on concrete, mixing and tolerances of precast concrete kerbs refer *Design and Construction Note 402.00 - Precast Concrete Kerbs General Specification*.