

City of Perth

# Design and Construction Note

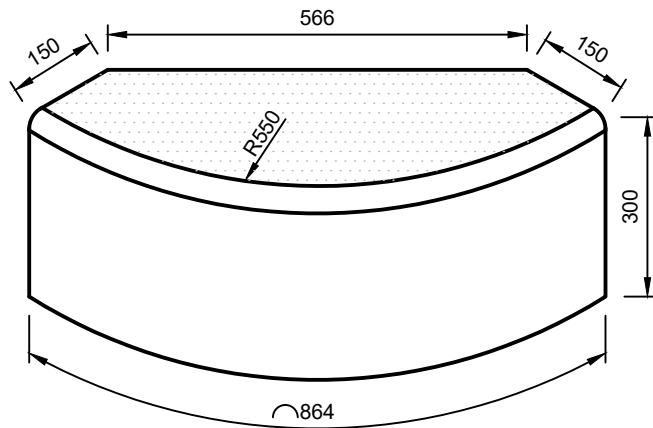
# 402.04

Standard Kerb Types and Installation Details

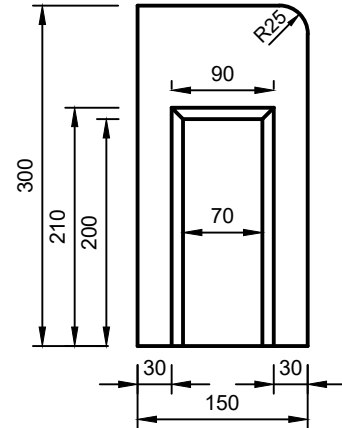
## Precast Concrete Radius Kerb

### 0.55m Radius

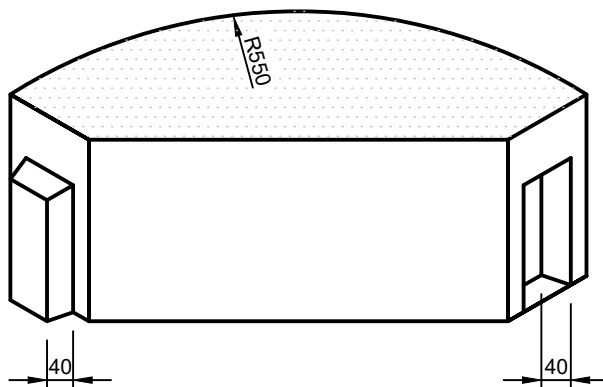
Reviewed: 17/10/2018



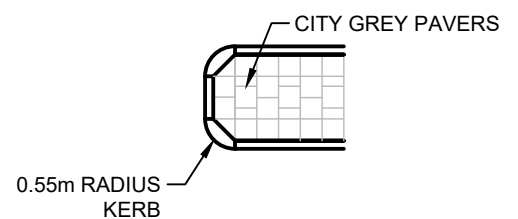
FRONT ISOMETRIC VIEW



END ELEVATION



REAR ISOMETRIC VIEW



TYPICAL USE

## PRECAST CONCRETE RADIUS KERB - 0.55m RADIUS

ARC LENGTH: 864mm  
QTY PER QUADRANT: 1

### General Note:

1. For more information on concrete, mixing and tolerances of precast concrete kerbs refer *Design and Construction Note 402.00 - Precast Concrete Kerbs General Specification*.