

City of Perth

# Design and Construction Note

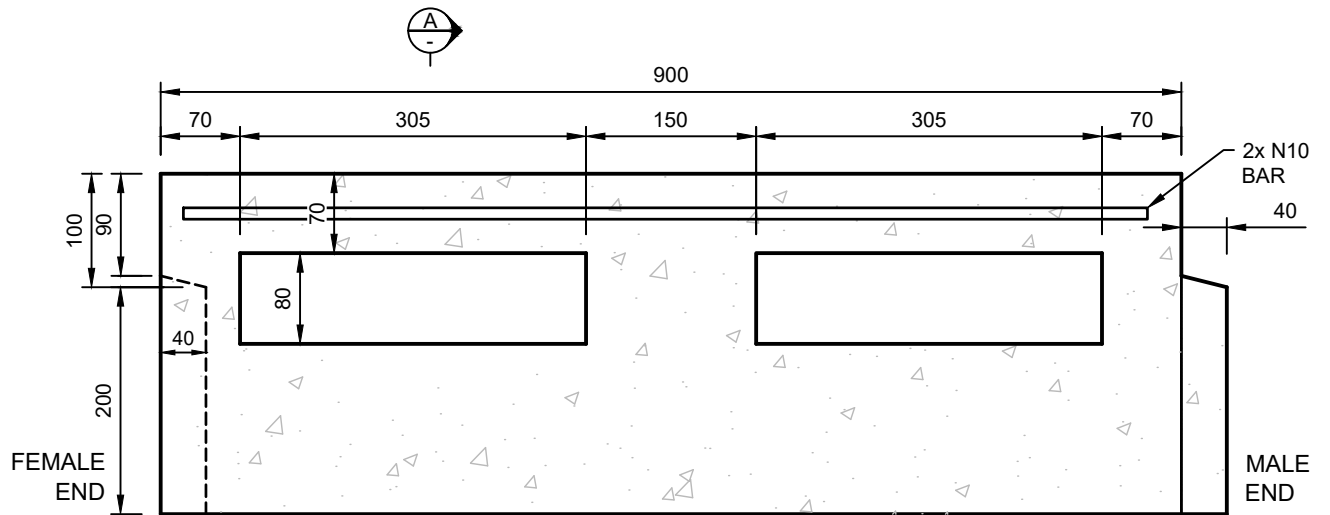
# 402.03

Standard Kerb Types and Installation Details

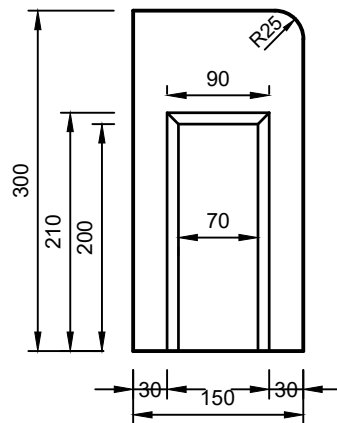
## Precast Concrete Lintel Kerb

### For Side Entry Drainage

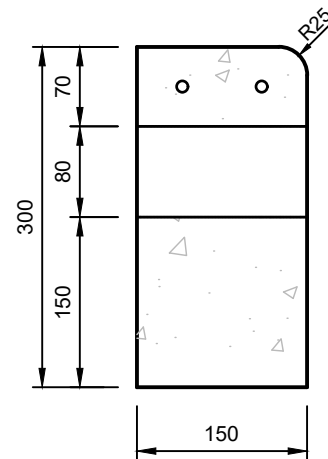
Reviewed: 17/10/2018



FRONT ELEVATION



END ELEVATION



SECTION A

## PRECAST CONCRETE LINTEL KERB

LENGTH: 900mm

### General Note:

1. For more information on concrete, mixing and tolerances of precast concrete kerbs refer *Design and Construction Note 402.00 - Precast Concrete Kerbs General Specification*.