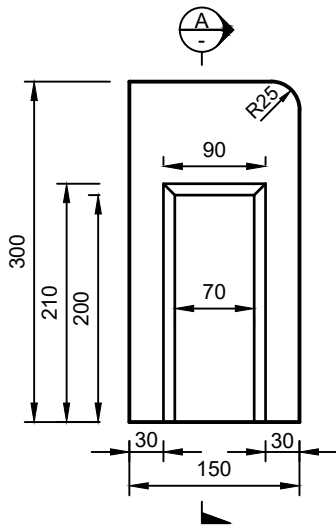


City of Perth

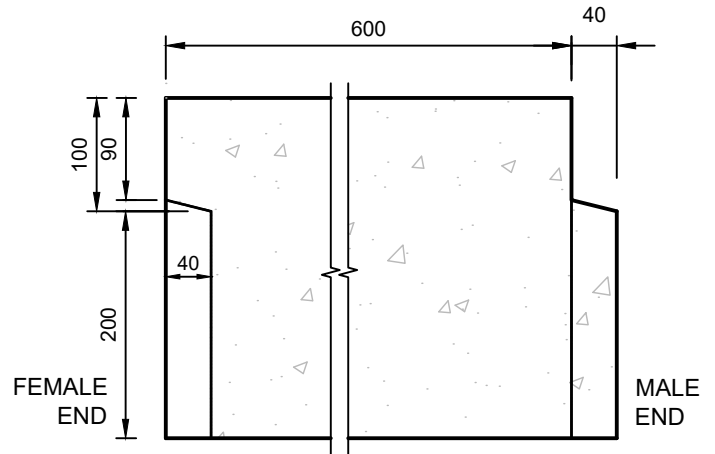
Design and Construction Note 402.01

Standard Kerb Types and Installation Details
Precast Concrete Barrier Kerb

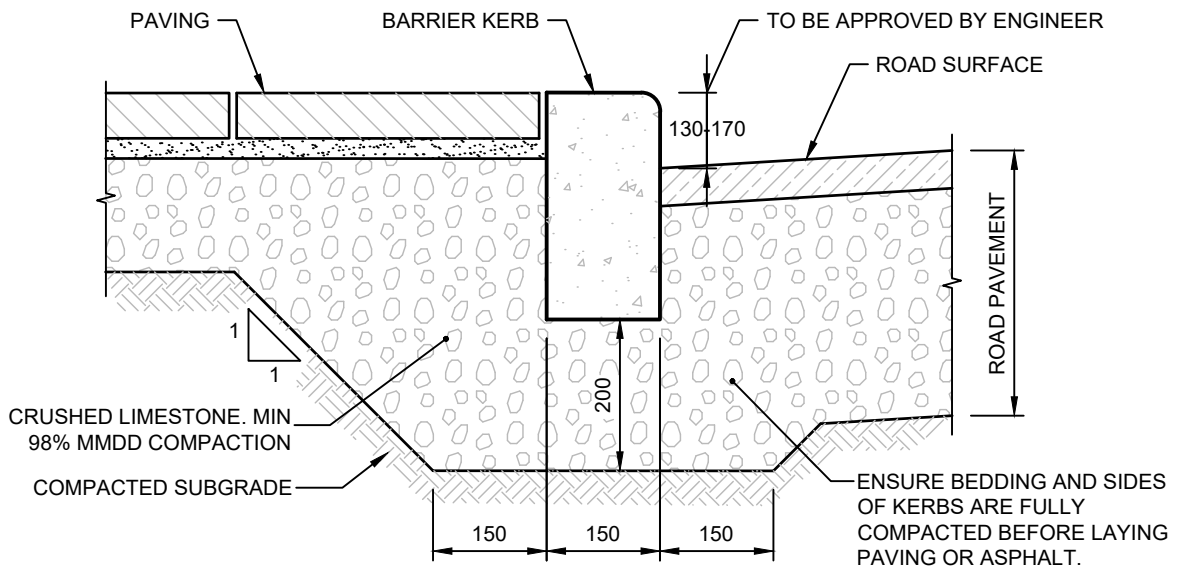
Reviewed: 17/10/2018



END ELEVATION



SECTION A



PRECAST BARRIER KERB LENGTH: 600mm

General Note:

1. For more information on concrete, mixing and tolerances of precast concrete kerbs refer *Design and Construction Note 402.00 - Precast Concrete Kerbs General Specification*.
2. Kerb heights at bus stops shall be 170mm.