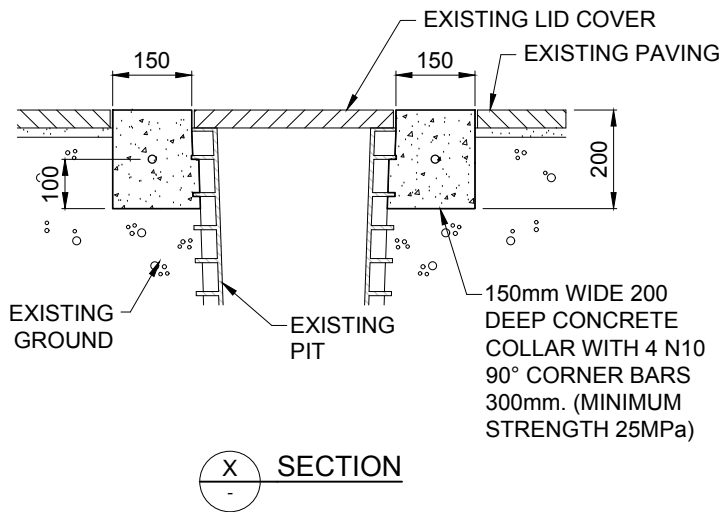


PLAN



GENERAL NOTES:

1. WHERE EXISTING ALIGNMENT DOES NOT ALLOW FOR THE INSTALLATION OF PAVING UP TO PIT AS PER 306.00 - INSITU CONCRETE CAN ONLY BE USED AS SHOWN ABOVE WITH APPROVAL FROM A CITY OF PERTH REPRESENTATIVE
2. ANY FURTHER INFORMATION CAN BE OBTAINED FROM THE TRANSPORT AND URBAN DESIGN AT: TUD.INBOX@CITYOFPERTH.WA.GOV.AU



SECTION