



City of Perth

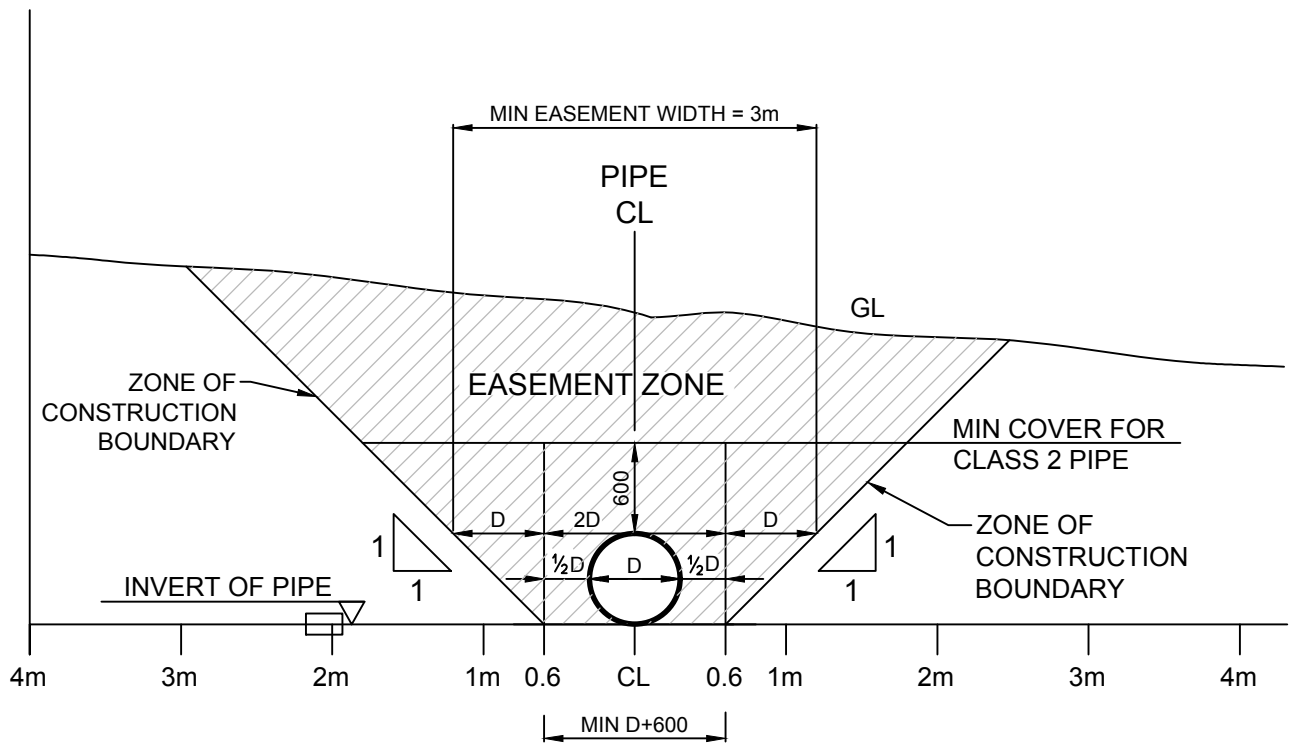
Design and Construction Note

202.15

Drainage Structures

Stormwater Pipe Easement

Reviewed: 16/08/2018



NOTE

1. EXTENSIVE CUT OR FILL OVER DRAINS. WHEN THE COVER OVER THE PIPE IS INCREASED OR REDUCED THE DRAIN SHALL BE CHECKED FOR SATISFACTORY PIPE STRENGTH AS SET-OUT IN AS3726-2007
2. WHEN RETAINING WALLS ARE TO BE CONSTRUCTED WITHIN THE ZONE OF CONSTRUCTION BOUNDARY THEY SHALL BE SUPPORTED ON PILED FOOTINGS. THE PILES SHALL BE DRIVEN TO A MINIMUM OF 300mm BELOW THE ZONE OF CONSTRUCTION.
3. THE BUILDING FOOTINGS SHALL NOT BE CONSTRUCTED WITHIN THE ZONE OF CONSTRUCTION BOUNDARY.
4. D = EXTERNAL DIAMETER OF PIPE