



City of Perth

Design and Construction Note

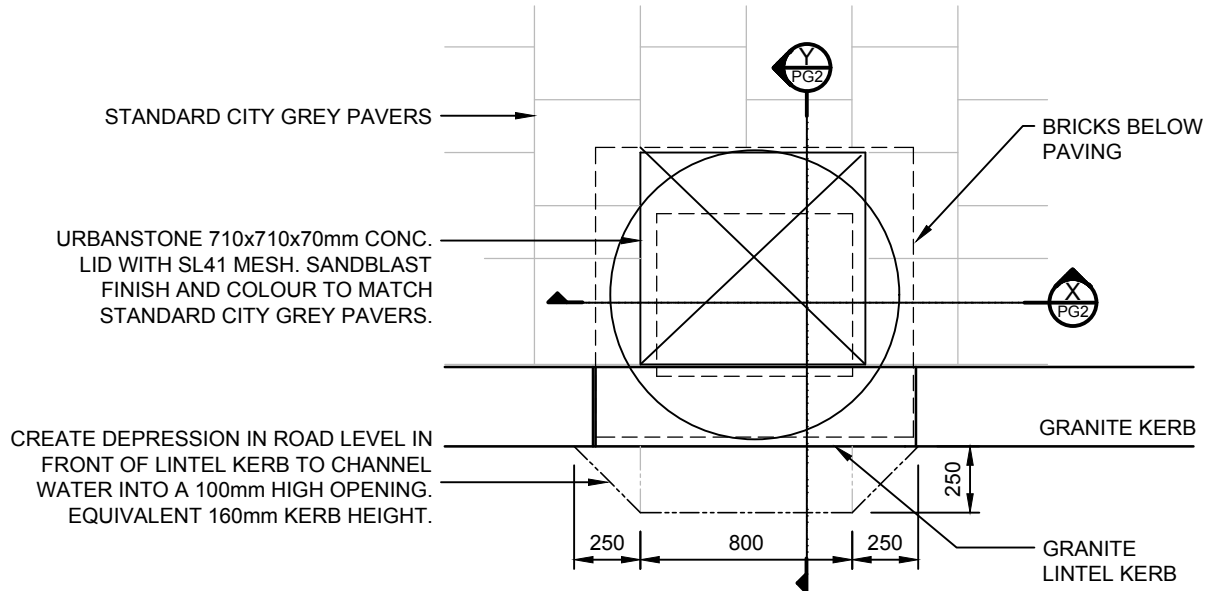
202.11

Drainage Structures

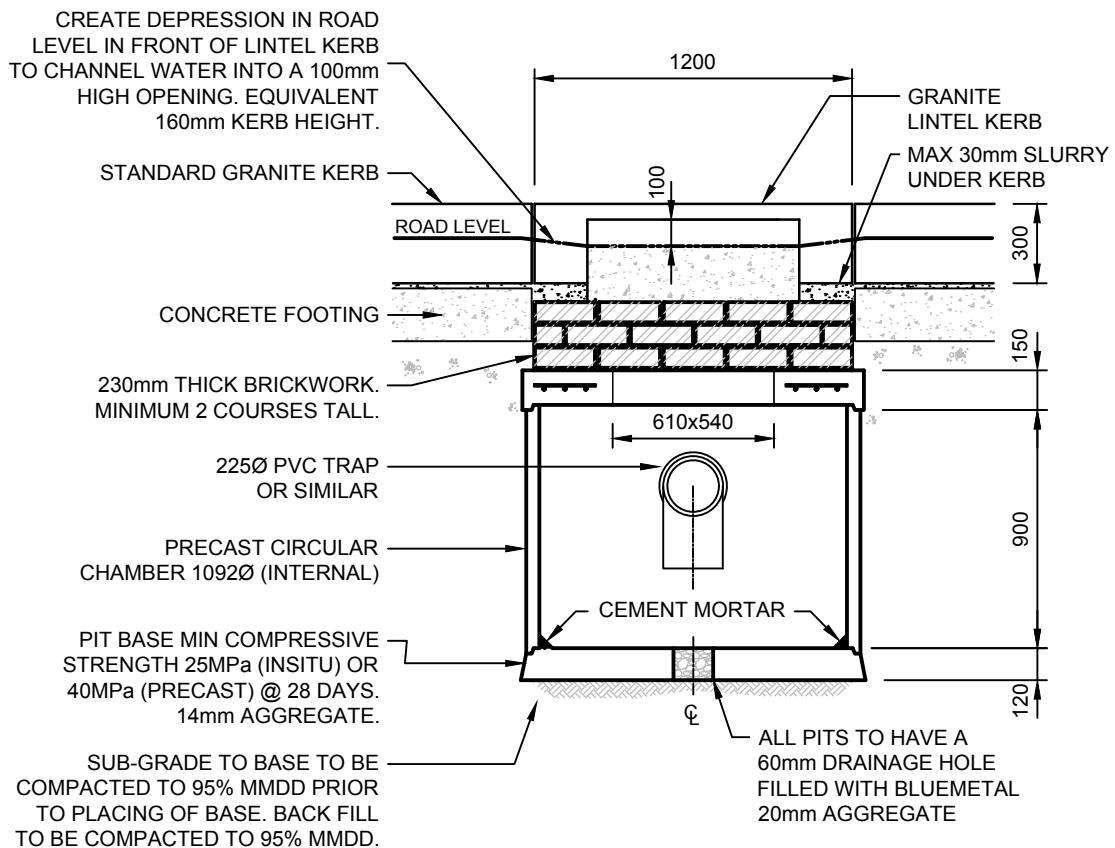
Standard Side Entry Pit

Granite Kerb

Reviewed: 16/08/2018



PLAN VIEW



FRONT VIEW