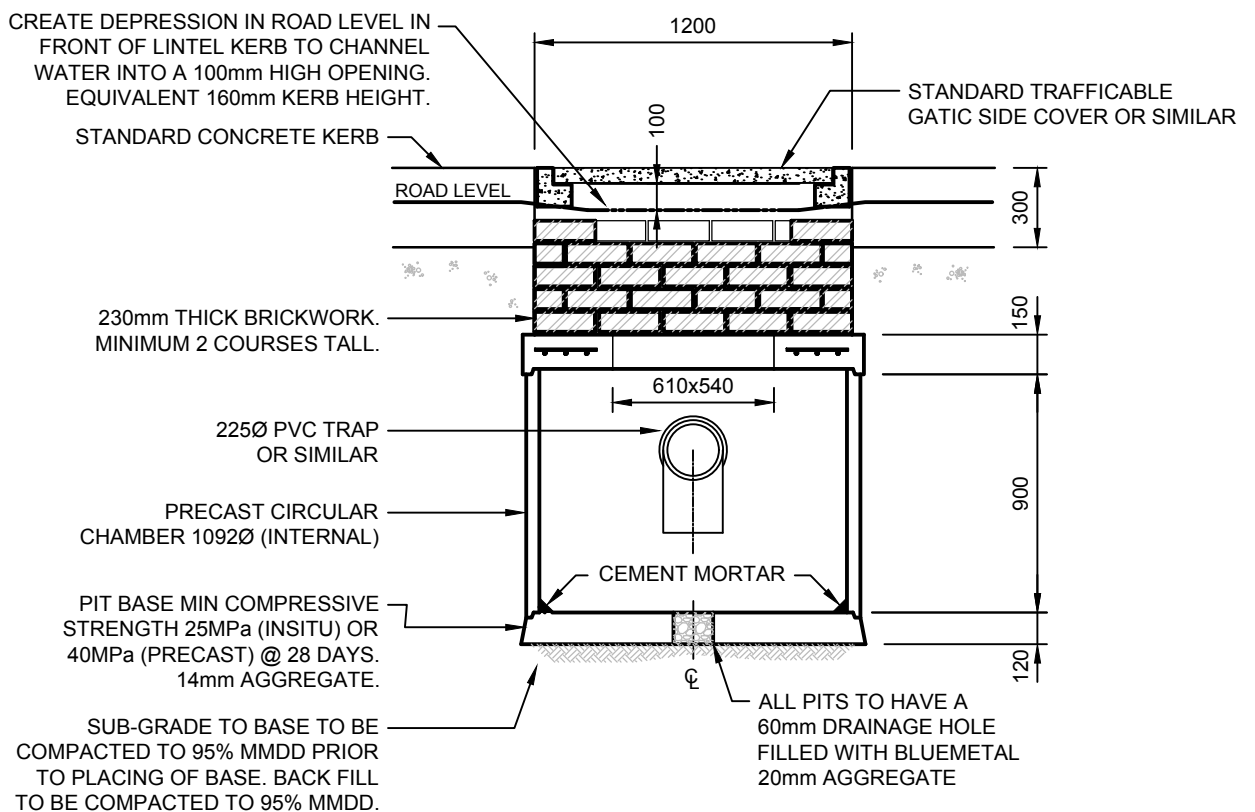


PLAN VIEW



FRONT VIEW