

City of Perth

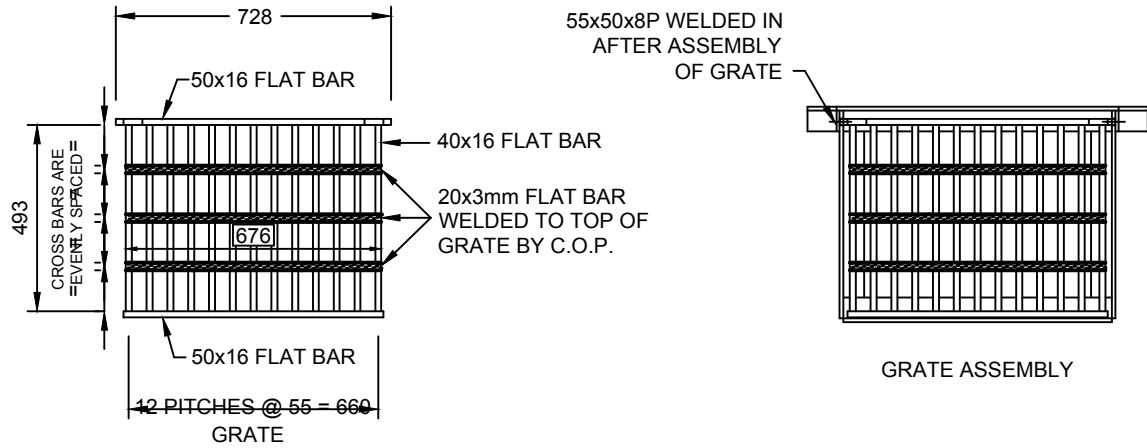
Design and Construction Note

202.04

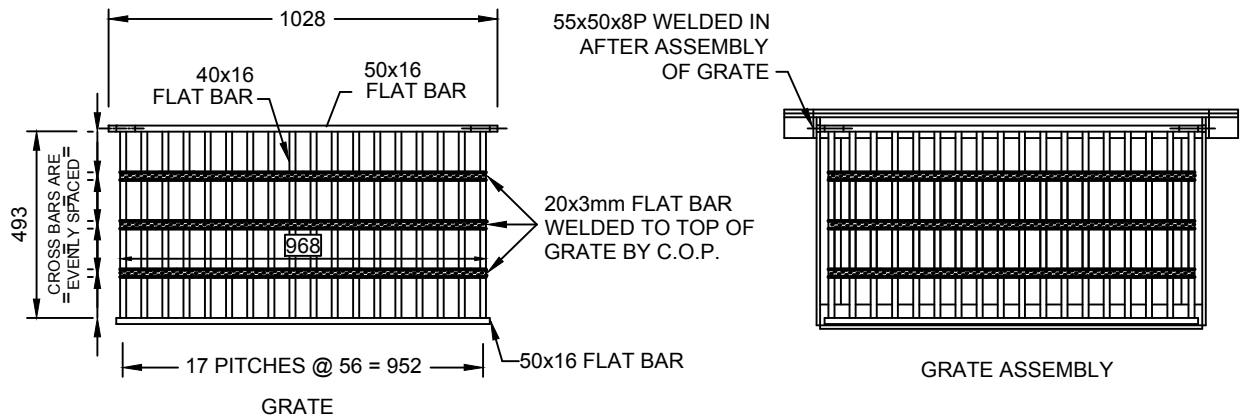
Drainage Structures

Mild Steel Gully Grate - Cycle Friendly

Reviewed: 16/08/2018



GULLY GRATE - MEDIUM



GULLY GRATE - LARGE

Note

The Cycle-friendly gully grates used by the City of Perth are made 'in-house' by modifying the Standard Gully Grates.

Three transverse bars are welded onto the medium or large standard grates at equal distances to produce a grate that bicycle, wheelchair and/or pram wheels cannot get caught in.

Cycle-friendly gully grates should be used in place of the Standard Gully Grates:
on roadways alongside Bicycle Path routes, at pedestrian ramps, and where gullies are situated in footpaths and dual-use paths.

Gully grate must be galvanized when soil type is classified as acidic soil or acid sulfate soil.