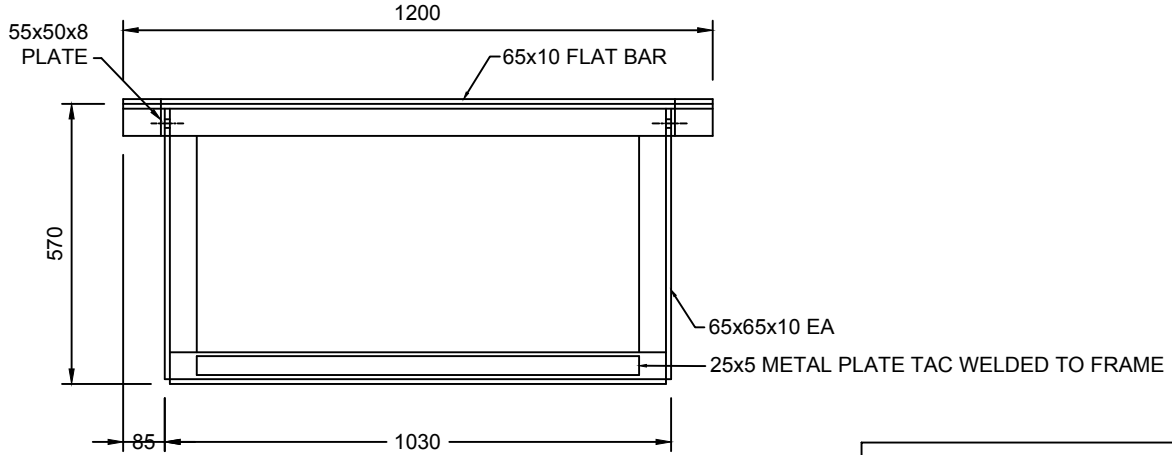


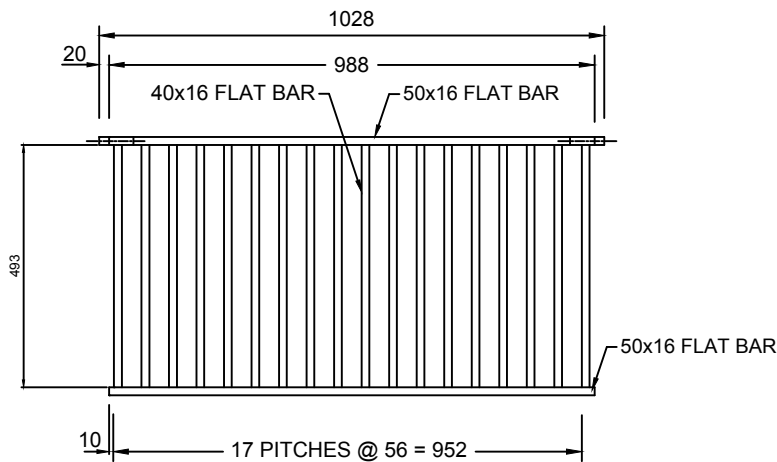
City of Perth

# Design and Construction Note 202.02 Drainage Structures Mild Steel Gully Grate - Large

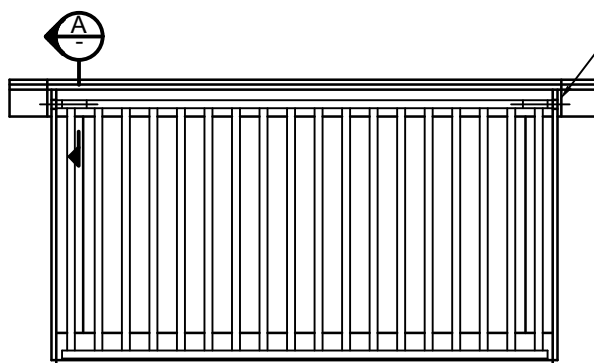
Reviewed: 16/08/2018



GRATE MOUNTING FRAME



HINGED GRATE INSERT



GRATE ASSEMBLY

**Note**

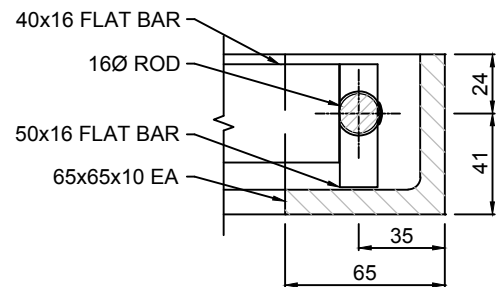
Cycle-friendly gully grates should be used in place of the Standard Gully Grates:

- on roadways alongside Bicycle Path routes, at pedestrian ramps, and where gullies are situated in footpaths and dual-use paths.

Refer to *Design & Construction Note 202.05* for Cycle-friendly Gully Grates.

Gully grate must be galvanized when soil type is classified as acidic soil or acid sulfate soil.

55x50x8 PLATE WELDED IN AFTER ASSEMBLY OF GRATE



SECTION A

GRATE HINGE DETAIL