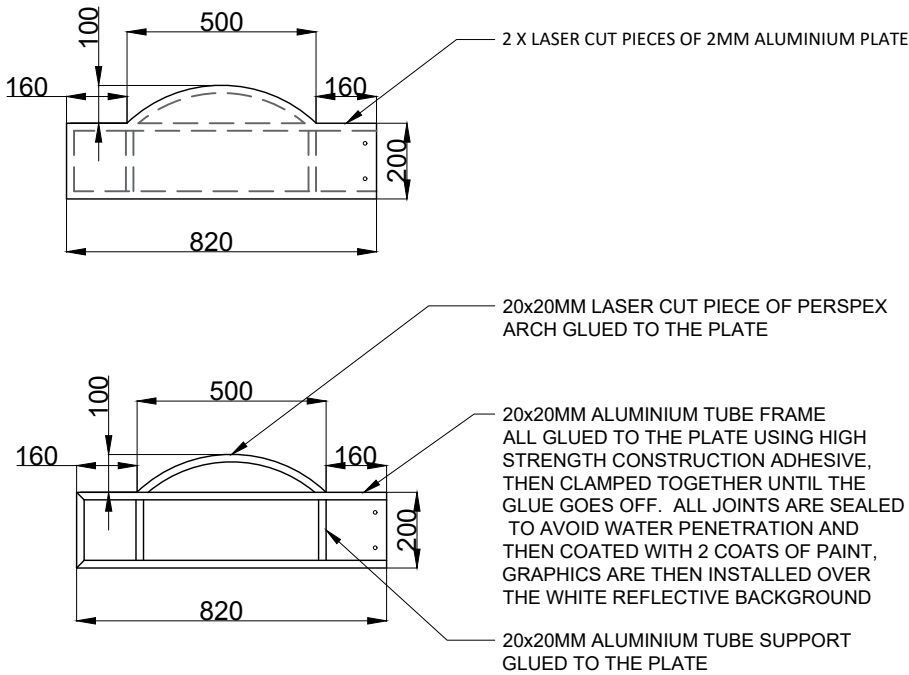


# STREET NAME SIGN

# 1105.00

WAYFINDING SIGNAGE DESIGN AND INSTALLATION

REVIEWED: 09.07.2024



**NOTE:**

SIGNAGE MUST COMPLY WITH AUSTRALIAN STANDARDS:

1. STREET NAME PLATES AND BRACKETS ARE EXCLUSIVELY MANUFACTURED AT THE CITY OF PERTH DEPOT
2. FOR LETTERING AND NUMERALS REFER TO AS 1744-2015 AND TO BE CONFIRMED BY CITY OF PERTH DEPOT
3. REFER TO AS 1743-2023 AND AS 1742.5-2017 FOR ROAD SIGN SPECIFICATIONS.
4. DESIRED SIGN PLATE MOUNTING HEIGHT IS TO BE NOT LESS THAN 2500MM AND NOT MORE THAN 3000MM FROM GROUND LEVEL TO UNDERSIDE OF THE SIGN. REFER TO 2.8 MOUNTING HEIGHT- AS 1742.5-2017 FOR FURTHER DETAILS.

CITY OF PERTH SUPPLIER AND INSTALLER	
NAME/COMPANY	CITY OF PERTH DEPOT
CONTACT DETAILS	ISA.INBOX@CITYOFPERTH.WA.GOV.AU

TYPICAL STREET NAME SIGN DESIGN

