

FLAG SIGN - FL1 FLAG SIGN ON MFP

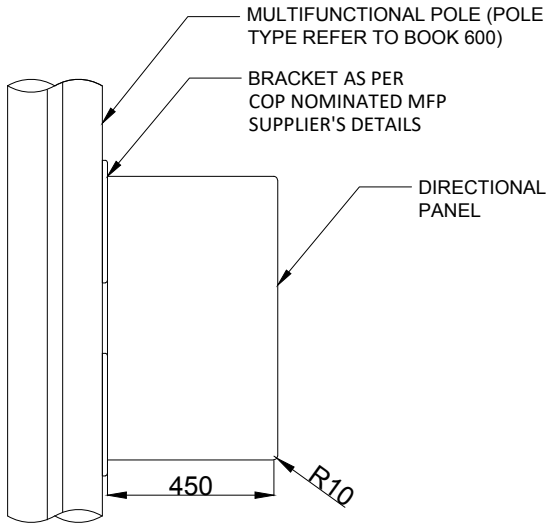
1103.02

WAYFINDING SIGNAGE DESIGN AND INSTALLATION

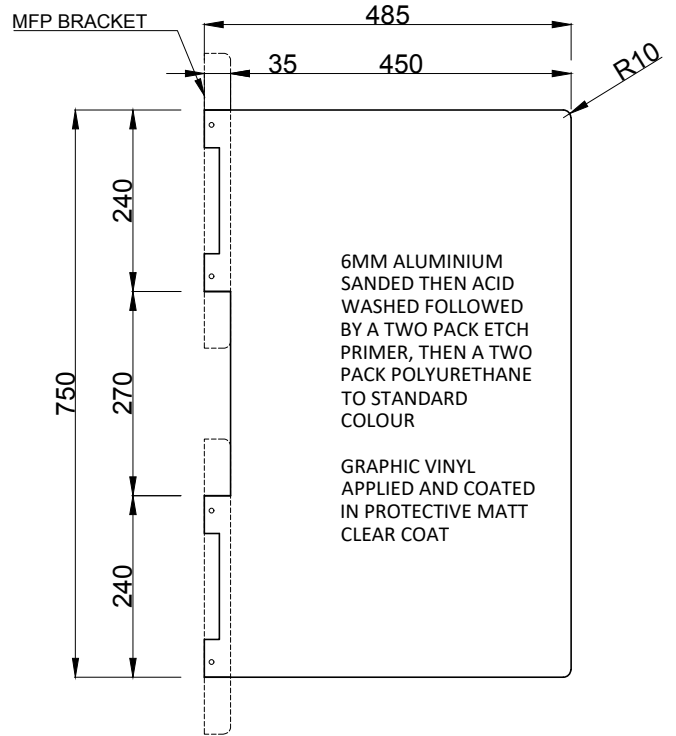
REVIEWED: 09.07.2024

NEXT GENERATION WAYFINDING: FLAG SIGN				
TYPE	NAME	HEIGHT mm	WIDTH mm	THICKNESS mm
FL1	FLAG SIGN WITH MFP BRACKET	750	462	6
FL2	FLAG SIGN WITH BAND CLAMP	750	462	6

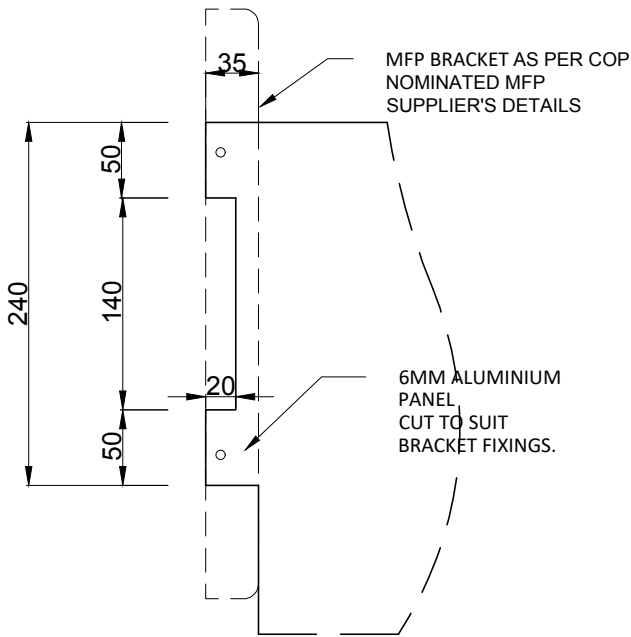
CITY OF PERTH SUPPLIER AND INSTALLER	
NAME/COMPANY	SIGNS AND LINES
CONTACT DETAILS	EMAIL: admin@signsandlines.com TEL: 08 9274 5151



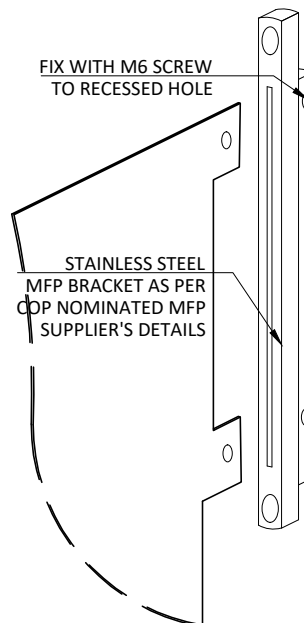
FLAG SIGN ON MFP



FLAG SIGN PANEL



TYPICAL DETAIL



MFP BRACKET DETAIL - AD COOTE

