

WALL SIGN - WL3 WALL MOUNTED LANEWAY

1102.02

WAYFINDING SIGNAGE DESIGN AND INSTALLATION

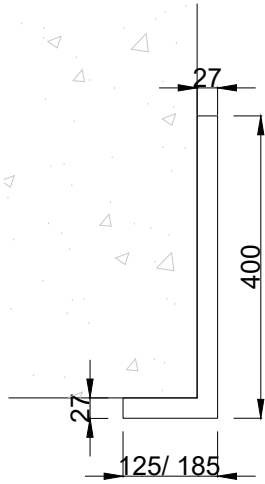
REVIEWED: 09.07.2024

NEXT GENERATION WAYFINDING: WALL SIGN

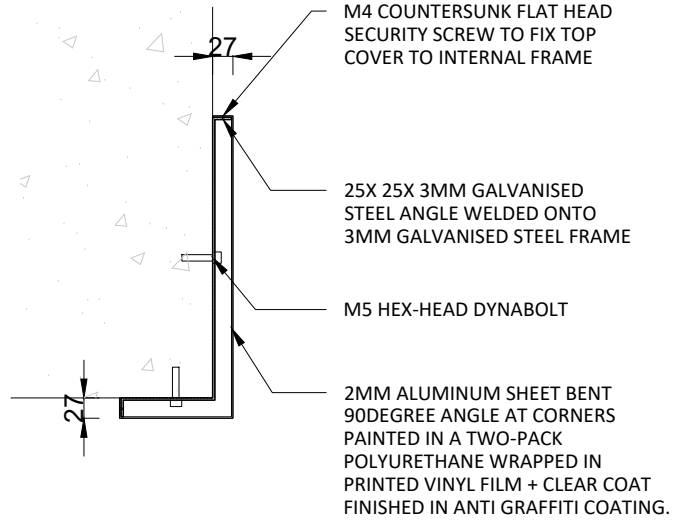
TYPE	NAME	HEIGHT mm	WIDTH mm	THICKNESS mm	INSTALLATION
WL 3	WALL MOUNTED LANEWAY	700	400 and folded side 125 / 185	27	INSTALLED 960mm FROM FL

CITY OF PERTH SUPPLIER AND INSTALLER

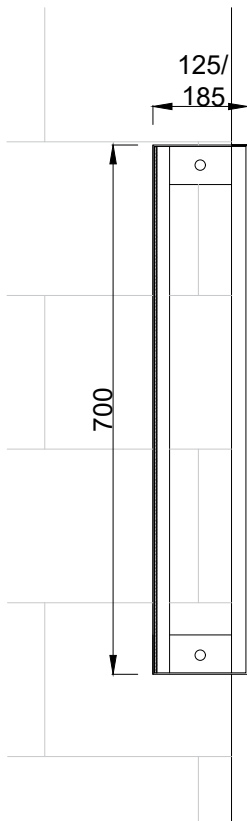
NAME/COMPANY	SIGNS AND LINES
CONTACT DETAILS	EMAIL: admin@signsandlines.com TEL: 08 9274 5151



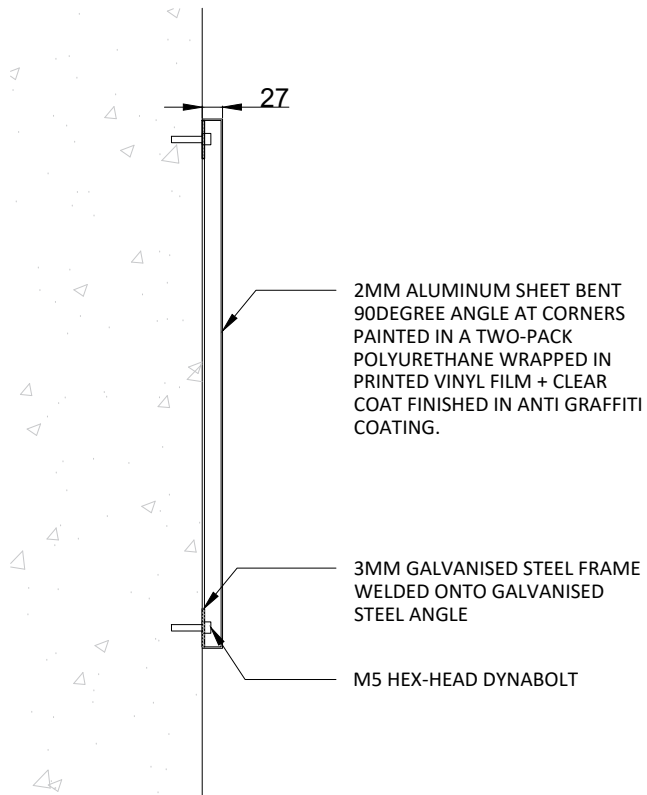
PLAN



PLAN SECTION



FRONT SECTION



SIDE SECTION