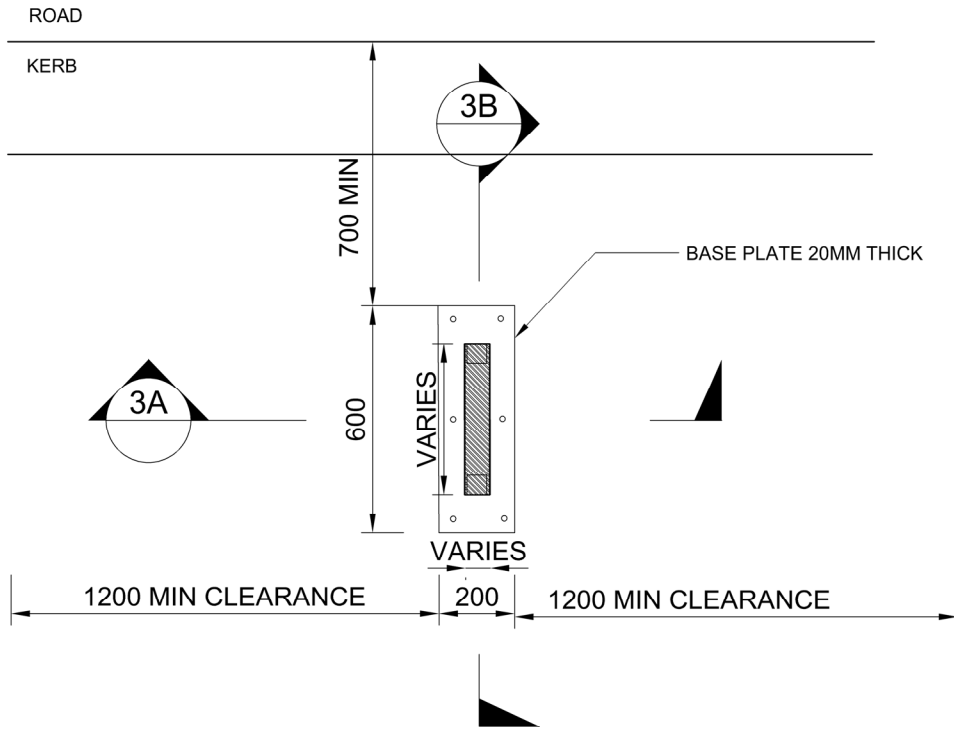


TYPICAL PLINTH ABOVE GROUND

1101.10

WAYFINDING SIGNAGE DESIGN AND INSTALLATION

REVIEWED: 06.01.2025



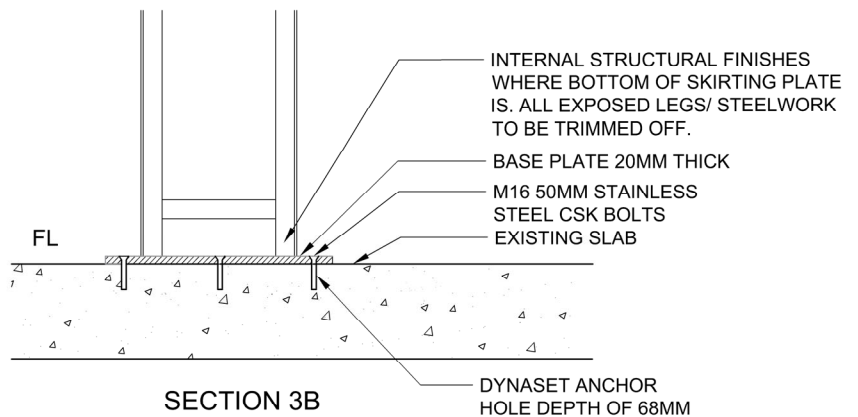
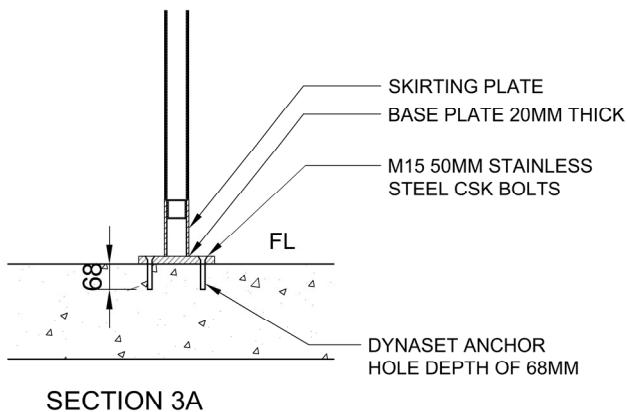
PLAN - PLINTH ABOVE GROUND

NOTES:

THE ABOVE GROUND INSTALLATION TYPE SHOULD BE USED ONLY IF THERE IS NO PAVING ON THE SUSPENDED SLAB.

ALL EXPOSED LEGS/ STEELWORK TO BE TRIMMED OFF- TO NOTIFY SUPPLIER PRIOR TO FABRICATION.

FIX SIGN TO SLAB WITH 6NO-M16 50MM STAINLESS STEEL CSK BOLTS, THAT ARE FASTENED INTO M16 65MM S/S DYNASET ANCHORS. HOLE DEPTH OF 68MM



SECTIONAL DETAIL - PLINTH ABOVE GROUND