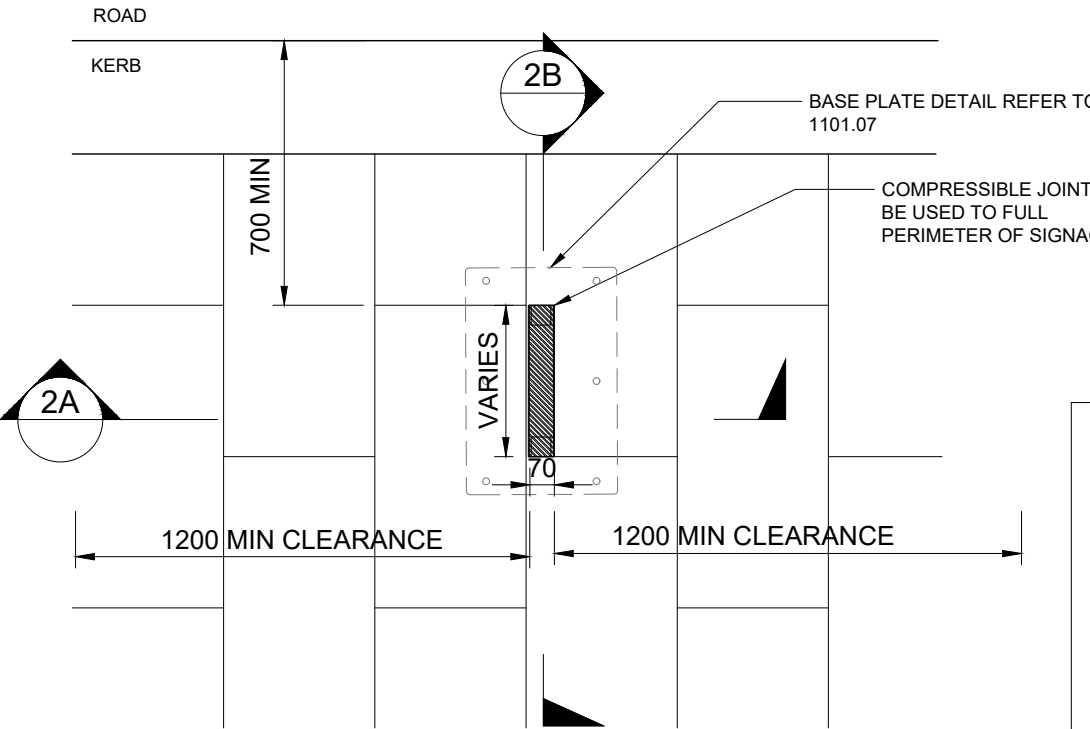


TYPICAL PLINTH IN GRANITE PAVING

1101.09

WAYFINDING SIGNAGE DESIGN AND INSTALLATION

REVIEWED: 09.07.2024



PLAN - PLINTH ON GRANITE PAVING

NOTES

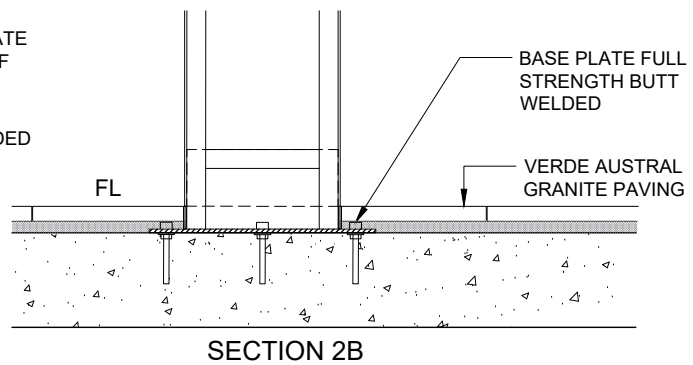
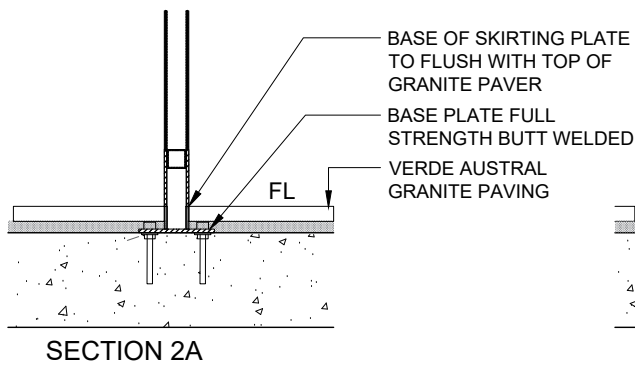
WHERE POSSIBLE PLACE JOINT IN PAVING TO ONE SIDE OF SIGNAGE TO MINIMISE CUTS.

FOOTING

ALL CONCRETE FOOTINGS AND BOLTING SYSTEMS MUST BE APPROVED AND SIGNED OFF BY AN EXPERIENCED AND NER REGISTERED STRUCTURAL ENGINEER.

PAVING

1. 795X395MM GRANITE PAVING TO BE PAVED UP TO THE PLINTH.
2. JOINTS SHOULD BE 5±2MM WIDE NITOSEAL PU400 OR SIMILAR APPROVED. COLOUR SHALL MATCH THE ADJACENT GROUTED JOINTS.
3. REFER TO BOOK 300 FOR GRANITE PAVING DETAILS.



SECTIONAL DETAIL - PLINTH ON GRANITE PAVING