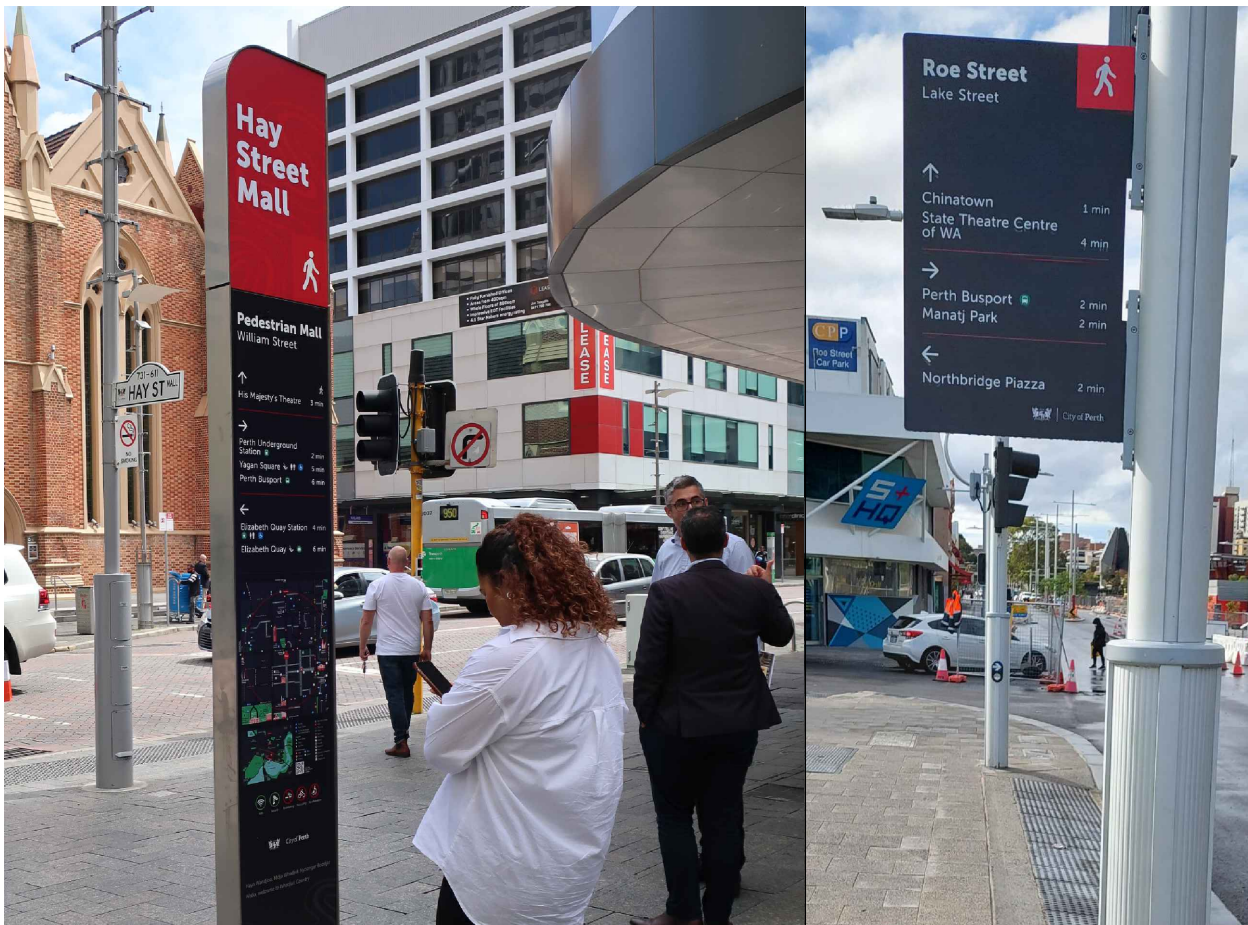


# CITY OF PERTH

## DESIGN & CONSTRUCTION NOTES

### BOOK 1100

## WAYFINDING SIGNAGE DESIGN AND INSTALLATION



REV	DATE	AMENDMENT
1.0	09/07/2024	REVIEWED, UPDATED AND RE-ISSUED FOR USE
1.1	06/01/2025	PAGE 1100.10 REVIEWED, UPDATED AND RE-ISSUED FOR USE

#### DISCLAIMER:

THIS DOCUMENT HAS BEEN PREPARED BY THE CITY OF PERTH AND IS SUBJECT TO CHANGE. IT IS THE RESPONSIBILITY OF THE USER TO ENSURE THAT DESIGN AND CONSTRUCTION NOTE HAS NO FURTHER REVISIONS BY CHECKING <https://perth.wa.gov.au/en/building-and-planning/building-and-works/building-and-construction-notes>

## INDEX

---

1100.00	COVER PAGE
1100.01	INDEX
1100.02	GENERAL NOTES PAGE 1
1100.03	GENERAL NOTES PAGE 2
1101.00	PL1 GATEWAY PLINTH
1101.01	PL1 GATEWAY PLINTH
1101.02	PL1 GATEWAY PLINTH
1101.03	PL1 GATEWAY PLINTH
1101.04	PL2/ PL3 URBAN/NARROW PEDESTRIAN PLINTH
1101.05	PL4/ PL5 PARK / INTERPRETIVE PLINTH
1101.06	TYPICAL PLINTH IN URBANSTONE PAVING
1101.07	TYPICAL PLINTH SECTION
1101.08	TYPICAL PLINTH SIGN
1101.09	TYPICAL PLINTH IN GRANITE PAVING
1101.10	TYPICAL PLINTH ABOVE GROUND
1102.00	WL1/ WL2 WALL MOUNTED MAP/ DIRECTIONAL
1102.01	WL1/ WL2 WALL MOUNTED MAP/ DIRECTIONAL
1102.02	WL3 WALL MOUNTED LANEWAY
1102.03	WL3 WALL MOUNTED LANEWAY
1103.00	FG1 FINGER SIGN ON MFP
1103.01	FG2 FINGER SIGN BAND CLAMP
1103.02	FL1 FLAG SIGN ON MFP
1103.03	FL2 FLAG SIGN BAND CLAMP
1103.04	AT1/ AT2 ACTIVE TRANSPORT SIGN
1103.05	AT1/ AT2 ACTIVE TRANSPORT SIGN
1104.00	IN1/ IN2/ IN3 INTERPRETIVE SIGN
1104.01	IN1/ IN2/ IN3 INTERPRETIVE SIGN
1105.00	STREET NAME SIGN

## 1. Standards

Comply with the most up-to-date version of the following Australian Standards:

### Vinyl

AS 1145.3-2001

### Aluminium

AS 1231-2000; AS/NZS 1664.2:1997 (and supplements)

Aluminium flat sheet, coiled and plate AS\NZS 1734:1997

AS/NZS 1866 Aluminium and aluminium alloys – Extruded rod, bar, solid and hollow shapes.

### Painting

AS3750.0:1994; AS1627.9-2002 – Paints for steel structures – Organic zinc rich primer.

### Welding

Aluminium to AS/NZS 1665:2004

### Fixings

All bolting shall be commercial bolts of grade 4.6 to AS 1111.1-2000 snug tightened.

### Finishing

All aluminium work that will be exposed to view shall have weld splatter, flux, dags and burrs removed, and all sealing and butt welds ground flush.

Unless otherwise specified all fabrication tolerances shall be within  $\pm 1.0\text{mm}$  and all angular tolerances  $\pm 1.0\text{mm}$ .

### Stainless steel

All welding to AS/NZS 1554.6

All stainless steel to be Marine Grade 316. Stainless steel fabrication must be undertaken in an environment that limits the contamination of carbon steel which can cause tea staining and other corrosion problems. Stainless surfaces are to be clean and smooth.

Product should be bubble wrapped or similarly protected during transportation to avoid surface damage.

### Concrete

All concrete works are to comply with Australian Standard AS 1379 -2007.

The concrete specification refer to structural engineering drawings for footing details and concrete quality.

### Safety

Comply with the current Western Australian Occupational Safety and Health Legislation and Regulations, Occupational Safety and Health Act 1984 and Safety Regulations 1996 in respect to the conduct of the Works. The onus is on the Contractor to demonstrate compliance with all applicable Australian Standards.

## 2. Fabrication

### 2.1 Materials

#### Aluminium panel

- Comply with approved shop drawings.
- Thickness required: 1.6mm /3mm/ 4mm/ 6mm.

#### Stainless steel flat bar

- Comply with approved shop drawings.
- Thickness required: 6mm.

#### Galvanised steel plate and square hollow section

- Comply with approved shop drawings.
- Thickness required: 3mm.

#### Paint

- Paint to be UV stabilised and rated for guaranteed for a minimum of 10 years in exterior environment.
- Paint colours to comply with specifications on drawings from City of Perth.

#### Vinyl lettering and graphics

- All vinyl to be 3M or similar approved and have 7-year warranty in exterior environment.
- Colours to be white – colour specifications to be provided on award of the contract.
- Printed vinyl with anti-graffiti laminate.

#### Fixings

- Comply with approved shop drawings.
- Sign plate shall be fully fixed to street poles as specified in the drawings.
- Prefer concealed fixing, subject to further design.

#### Brackets and clips

- Comply with approved shop drawings.
- Where light poles are painted, band clamps to be painted to match colour of existing pole.
- Band clamps are only permitted on Western Power poles or those specified – Not to be used on other street poles.

#### Anti-graffiti coating

2K MS Matting Clear or similar two-component m

### 2.2 Lighting for Gateway Plinth

#### Lighting

- Illuminated panel with Place Name - Internal illuminated light box with signage fascia.
- Signage fascia - High impact acrylic panel to slide from top into aluminum channel. Face applied transparent vinyl graphics to specification sheet as applied by the City.
- Light box - Internal light box to have high intensity and efficient LEDs.
- Plinth to be installed with astronomical timer to switch LEDs ON/OFF during day/night time.

### 2.3 Workmanship

#### General

Fabricate and pre-assemble items in the workshop wherever practicable.

#### Edges and surfaces

Keep clean, neat and free from burrs and indentations. Remove sharp edges without excessive grinding and rounding.

#### Thermal movement

Accommodate thermal movement in joints and fastenings.

#### Tolerances

$\pm 1\text{ mm}$  /  $\pm 1^\circ$  from design dimensions.

#### Bolt tolerances

To comply with AS4100.

#### Visible joints

Finish visible joints made by welding, brazing or soldering using methods appropriate to the class of work (including grinding or buffing) before further treatment such as painting, galvanizing or electroplating.

#### Joints

Fit accurately to a fine hairline.

#### Defects

Remove all surface defects, including cracks, laminations, deep pitting, weld spatter slag, burrs, fins, sharp edges and other defects before preparing the surface for coating.

#### Cutting

Avoid procedures that result in greater than localised burning of the sheets, distorted edges and uneven edges.

#### Painting

Preparation of surfaces where paint is to be applied to be as per the paint manufacturer's specifications.

Paint shall be applied to all visible faces of the signs when installed in place and in the specified colours and locations as shown in the drawings.

Paint finish is to have no smudges, stains, discolouration dust marks, and paint run marks. Finished work shall not bubble or flake off from the aluminium face of the signs.

#### Welding

Site welding is not permitted.

Porous, skip or stitch welds are not acceptable. All welding procedures shall minimise distortion. Provide finished welds which are free from surface and internal cracks, slag inclusion, and porosity.

All exposed to view surfaces shall have weld splatter, flux, dags and burrs neatly removed and leaving no visible markings. A sealing and butt welds are to be ground flush.

Avoid procedures that result in greater than localised burning of the sheets or framing members.

Clean welds to remove roughness, using power tools to AS 1627.2. Remove filings by vacuuming or compressed air.

Grind flush any temporary welds.

**Vinyl**

Orientation of texts and graphics are to be parallel to the short edges of the wayfinding signs.

Vinyl to be applied to signs as shown on the drawings. Applied vinyl to have no bubbles, folded edges, folds, dust marks, scratches and cuts.

**Anti-graffiti coating**

Preparation of surfaces where coating is to be applied to be as per the manufacturer's specifications.

Coating shall be applied to all visible faces of the wayfinding signs when installed in place.

Coating finish is to have no smudges, stains, discolouration dust marks, and liquid run marks. The finished surface shall not bubble or flake off from the face of the signs.

**2.4 Fixings**

All fixings and fasteners shall conform to the following:

- Have finished surface that will not cause discolouration or change in colour tone.
- To be anti-vandal / tamper proof types.
- Compatible with the products to which they are applied.
- Provide fasteners in materials of mechanical strength and corrosion resistance at least equal to that of the lowest resistant metal joined.
- Use washers under all nuts, suitable for its purpose.

**2.5 Concrete Footing**

All footing and bolting systems must be approved and signed off by an experienced and NER registered structural engineer.

**3. Signage installation****3.1 Site location**

- A 'Dial Before you Dig' should be undertaken prior to installation to identify any potential underground services.
- Ensure the sign locations are accurately identified and correspond to approved set out plan.
- All signs shall be installed in accordance with the City's principles of placement. Where it is installed within the road reserve, refer to City of Perth's Wayfinding Guidelines p.17-p.20.

**3.2 Obstruction permit**

An activity that obstructs any part of a public thoroughfare (e.g roads, footpaths, verges or reserves), using any equipment including cranes, cherry pickers, ladders, mobile scaffolding, waste bins, hand tools or carrying out excavation works or filming, will require a permit. Please visit City of Perth website for Obstruction Permit application and details.

**3.3 Site restrictions**

The contractor is to comply with the following restrictions on the use of the site: Work on site shall only occur between the hours of 7.00am and 7.00pm from Monday to Saturday. Work on Sundays and outside normal working hours is not permitted unless an application has been approved by the City.

**3.4 Existing sign removal**

Remove existing signs where necessary in accordance with the Signage Schedule and return to the City of Perth's Depot: 22 Roberts St W, Osborne Park WA 6017 (enter via Linwood Court).

Give prior notice to the Depot or call 9641 3904 to arrange for delivery of the returned items.

**3.4 Transportation**

Ensure delivery of new signage from fabricators is undertaken with utmost care to avoid damage. New signage should be bubble wrapped or similarly protected to avoid dents and scratches. Check all signs on delivery to ensure no damage was incurred in transit.

**3.5 Responsibility for damage and rectification**

Any damage and compensation payments resulting from non-observance of the above requirements are the responsibility of the Contractor.

Repair any damage caused to existing infrastructure including roadways and footpaths or services such as water, gas or drainage pipes, sewers, electric conduit or other existing works or services to the contractor's expense and to the satisfaction of the City and relevant authority.

Make good paintwork to existing poles if damaged in the installation of the new wayfinding signs. Colour specifications of existing pole (specified colour to be provided upon award of contract) or to match existing and to the satisfaction and approval of the City.

If repairs are not acceptable, the City may arrange repairs and charge the Contractor the reparation costs.

A specialist paving contractor will be required to undertake reinstatement where signage is in granite paving.

**3.6 Access**

Safe universal public access around the work area must be maintained at all times. Such access includes persons on foot, bicycles, wheelchairs and motor vehicles.

**3.7 Site safety**

- **Temporary works:** Provide and maintain safety signs and fencing or other approved barriers (if applicable).
- **Access ways and services:** Do not obstruct or prevent access to roadways and footpaths, drainage structures and existing services in use, on or adjacent to installation sites. Determine the location of such services prior to any works and arrange for management measures as required to conduct the works.
- A sign itself may be a hazard. Ensure the placement do not obscure hazards or distract the viewer during hazardous situations.
- Wear personal protective equipment (PPE) during installation and undertake appropriate health and safety measures.

**3.8 Parking**

Use only designated parking areas. Street parking permits can be obtained from the City of Perth Health and Activity Approvals Unit. Allow for sufficient lead time for the review and granting of approval by the City. Fees apply.

**3.9 Design conflicts**

If there is any conflict between the final location and orientation of a new sign and the location shown on the drawings, notify the Project Officer immediately. No further installation works are to progress without complete resolution of the conflict and written approval by the Project Officer.

**3.10 Storage**

The contractor shall safely and securely store the new signage until installation. Signs must be safely packaged to protect from damage and stored until the installation date of installation as approved by the Project Officer.

**3.11 Completion of the works**

Before the date for completion of works the contractor shall:

- Remove all temporary works.
- Repair and make good any damage to existing

# PLINTH SIGN - PL1 GATEWAY PLINTH

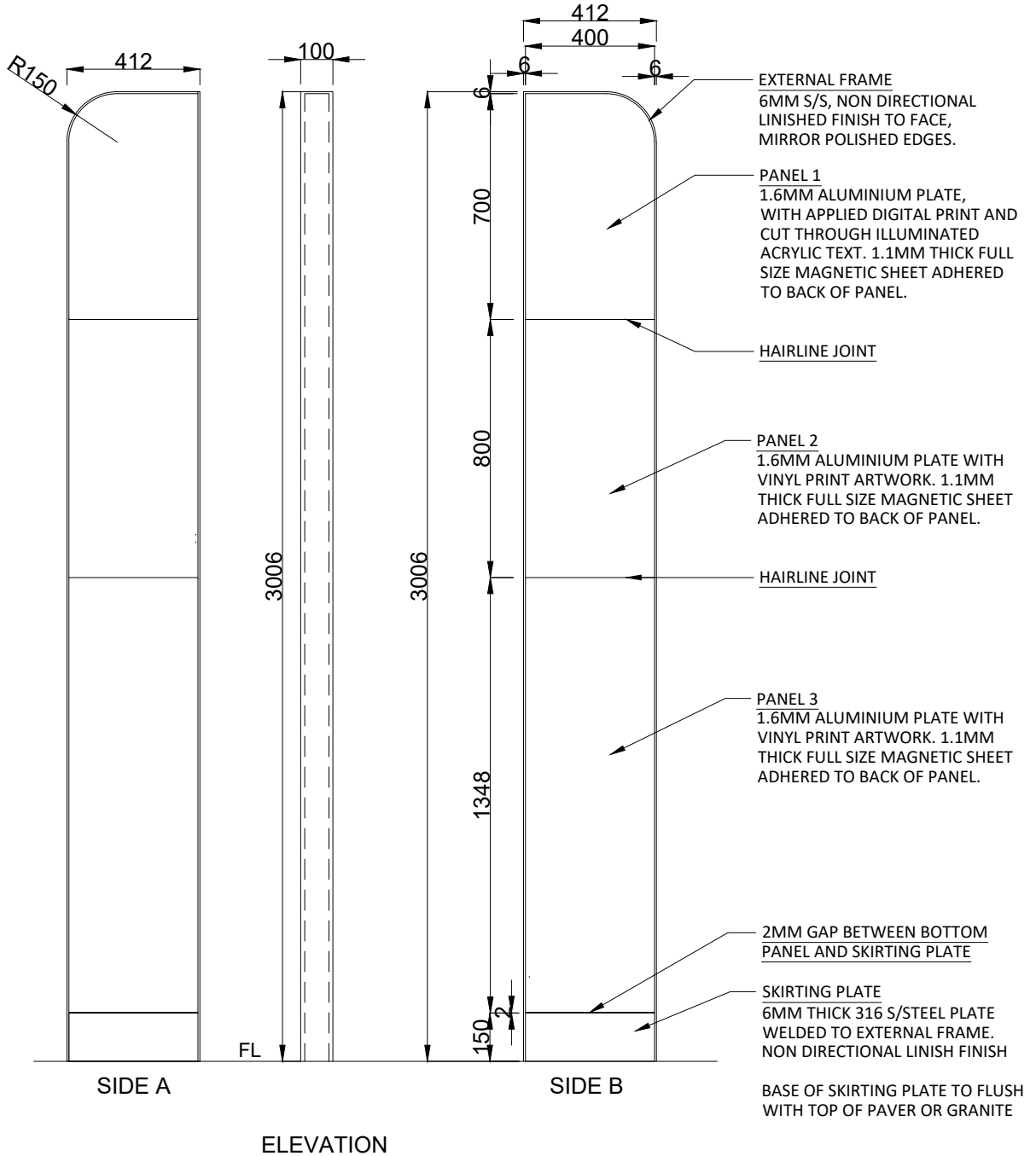
# 1101.00

WAYFINDING SIGNAGE DESIGN AND INSTALLATION

REVIEWED: 09.07.2024

NEXT GENERATION WAYFINDING: PLINTH SIGN						
PLINTH TYPE	NAME	HEIGHT (FROM FL) mm	WIDTH mm	THICKNESS mm	GRAPHIC PANEL 2 SIZE	GRAPHIC PANEL 3 SIZE
PL 1	GATEWAY PLINTH	3006	412	100	800 x 400	1348 x 400

CITY OF PERTH SUPPLIER AND INSTALLER	
NAME/COMPANY	SIGNS AND LINES
CONTACT DETAILS	EMAIL: admin@signsandlines.com
	TEL: 08 9274 5151

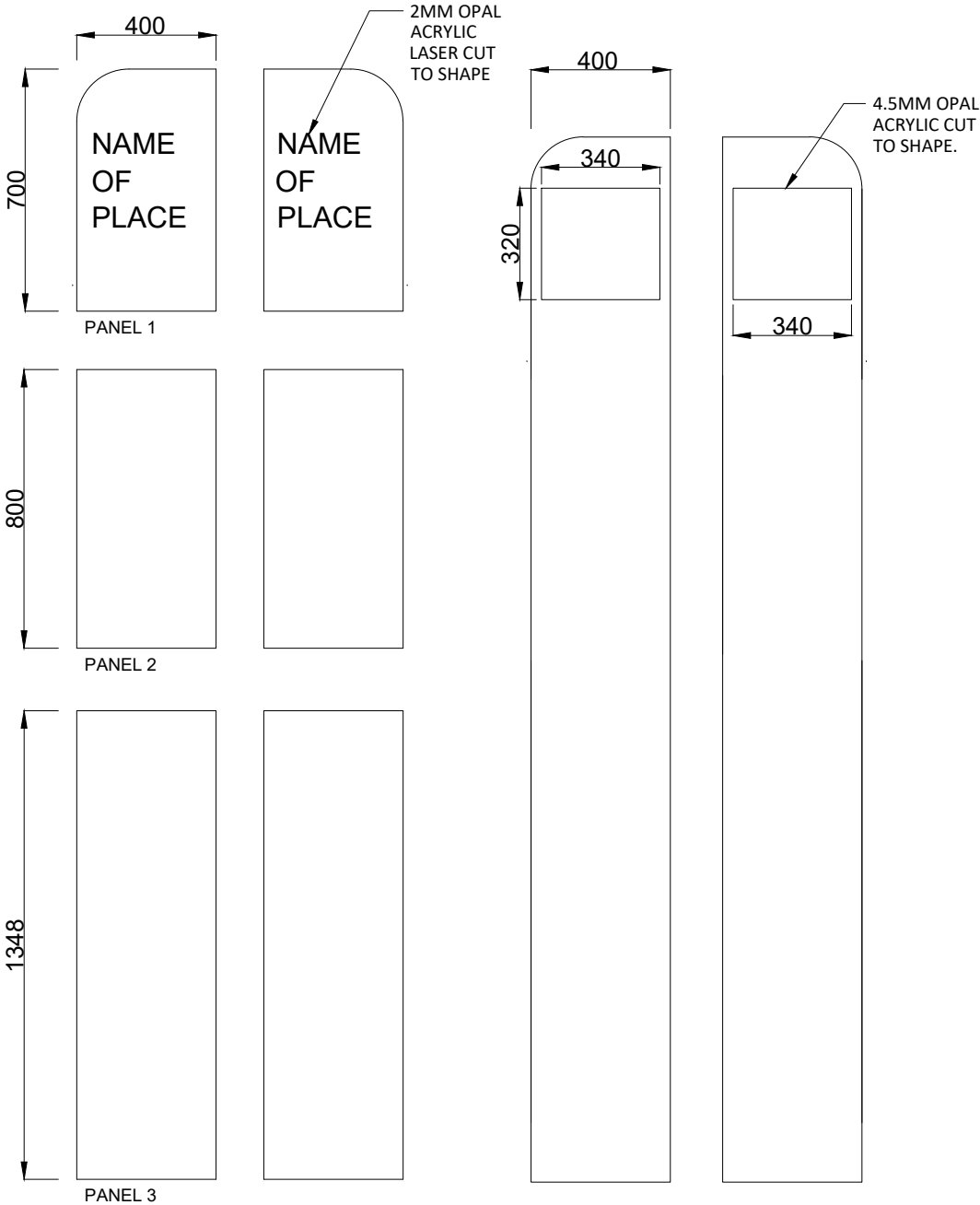


# PLINTH SIGN - PL1 GATEWAY PLINTH

# 1101.01

WAYFINDING SIGNAGE DESIGN AND INSTALLATION

REVIEWED: 09.07.2024



**1.6mm THICK ALUMINIUM PANELS**  
WITH 1.1MM THICK MAGNETIC SHEET ADHERED AT REAR.

**3mm GALVANISED BACKING PLATE**  
WITH 4MM HOLES FOR COUNTERSUNK FIXINGS TO FRAME

## CUT PANELS

### NOTES

**WAYFINDING GRAPHIC SIGNAGE**  
VINYL PRINT WITH PROTECTIVE MATT CLEAR COATING.  
FINAL ARTWORK TO BE PROVIDED BY THE CITY.

**SHOP DRAWING**  
SHOP DRAWINGS MUST BE APPROVED PRIOR TO PROTOTYPE FABRICATION.

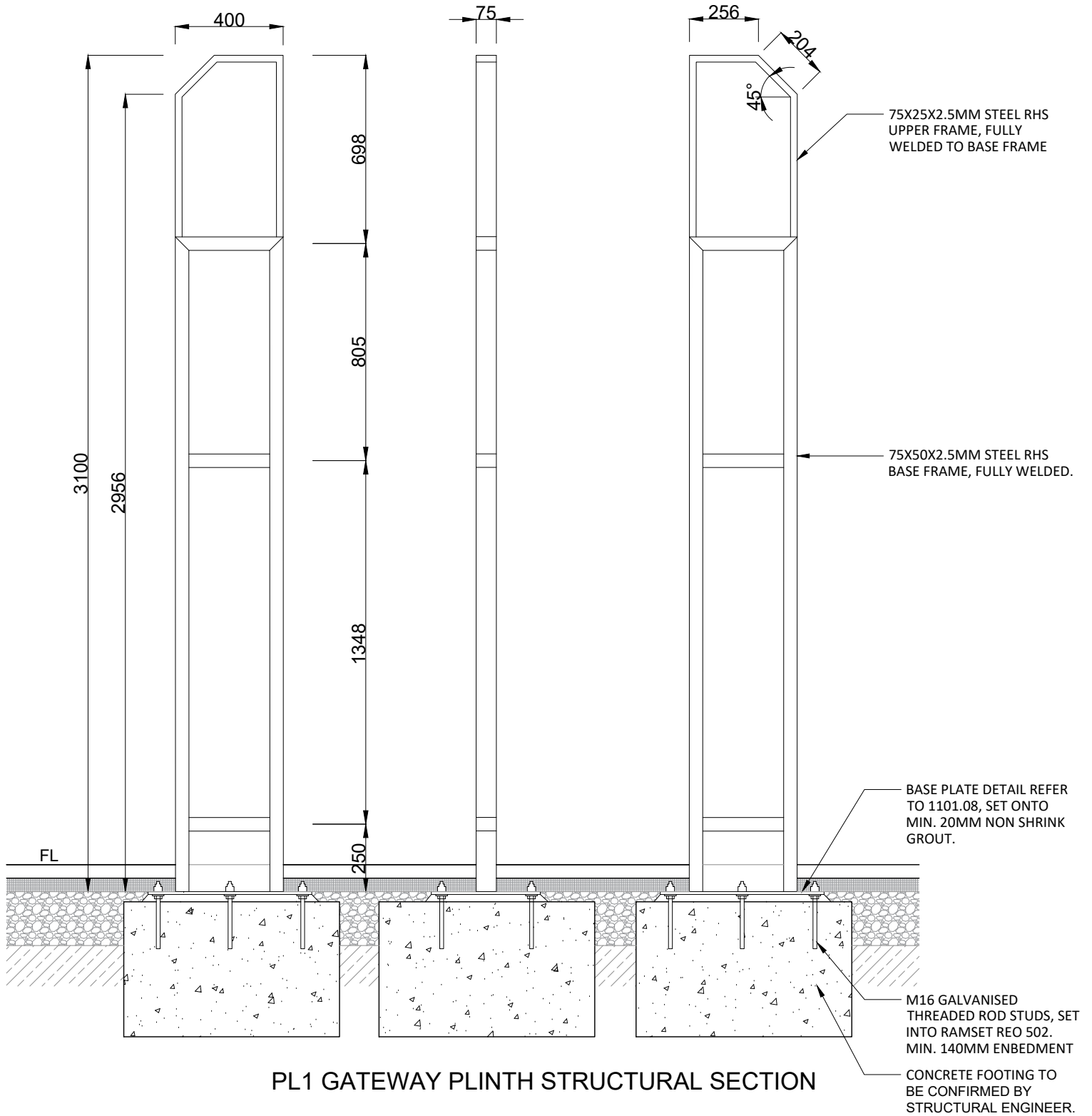
**MATERIAL**  
ALL STAINLESS STEEL TO BE GRADE 316 WITH PROTECTIVE COATING AND NO ENVIRONMENTAL CONTAMINATION.

**STRUCTURAL ENGINEERING**  
SIGNAGE FABRICATOR AND/OR INSTALLER IS RESPONSIBLE FOR ALL DRAWINGS BEING STRUCTURALLY CERTIFIED AND SIGNAGE BEING FABRICATED AS PER THE STRUCTURAL ENGINEERS SPECIFICATION.

ALL GROUND SURFACE TREATMENT TO BE MADE GOOD FOLLOWING COMPLETION OF INSTALLED WAYFINDING SIGN.

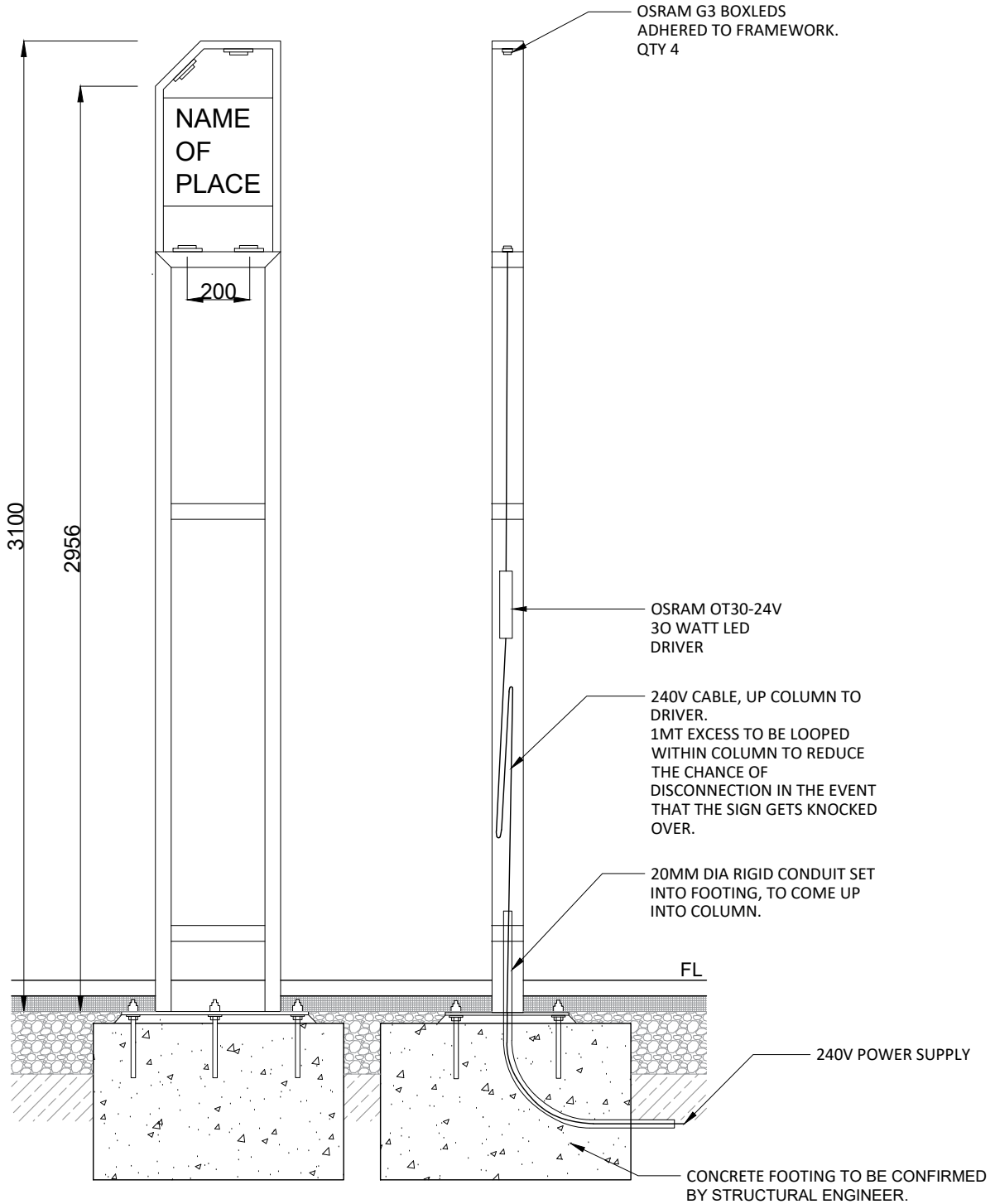
# PLINTH SIGN - PL1 GATEWAY PLINTH

# 1101.02



## NOTES

- ALL STAINLESS STEEL TO BE GRADE 316 WITH PROTECTIVE COATING AND NO ENVIRONMENTAL CONTAMINATION.
- ALL CONCRETE FOOTINGS AND BOLTING SYSTEMS MUST BE APPROVED AND SIGNED OFF BY AN EXPERIENCED AND NER REGISTERED STRUCTURAL ENGINEER.
- ALL GROUND SURFACE TREATMENT TO BE MADE GOOD FOLLOWING COMPLETION OF INSTALLED SIGN.



PL1 GATEWAY PLINTH STRUCTURAL SECTION WITH LIGHTING DETAIL

NOTES

ALL STAINLESS STEEL TO BE GRADE 316 WITH PROTECTIVE COATING AND NO ENVIRONMENTAL CONTAMINATION.  
 ALL CONCRETE FOOTINGS AND BOLTING SYSTEMS MUST BE APPROVED AND SIGNED OFF BY AN EXPERIENCED AND  
 NER REGISTERED STRUCTURAL ENGINEER.  
 ALL GROUND SURFACE TREATMENT TO BE MADE GOOD FOLLOWING COMPLETION OF INSTALLED SIGN.



PLINTH DESIGN - PL2/PL3 URBAN/ NARROW PEDESTRIAN PLINTH

1101.04

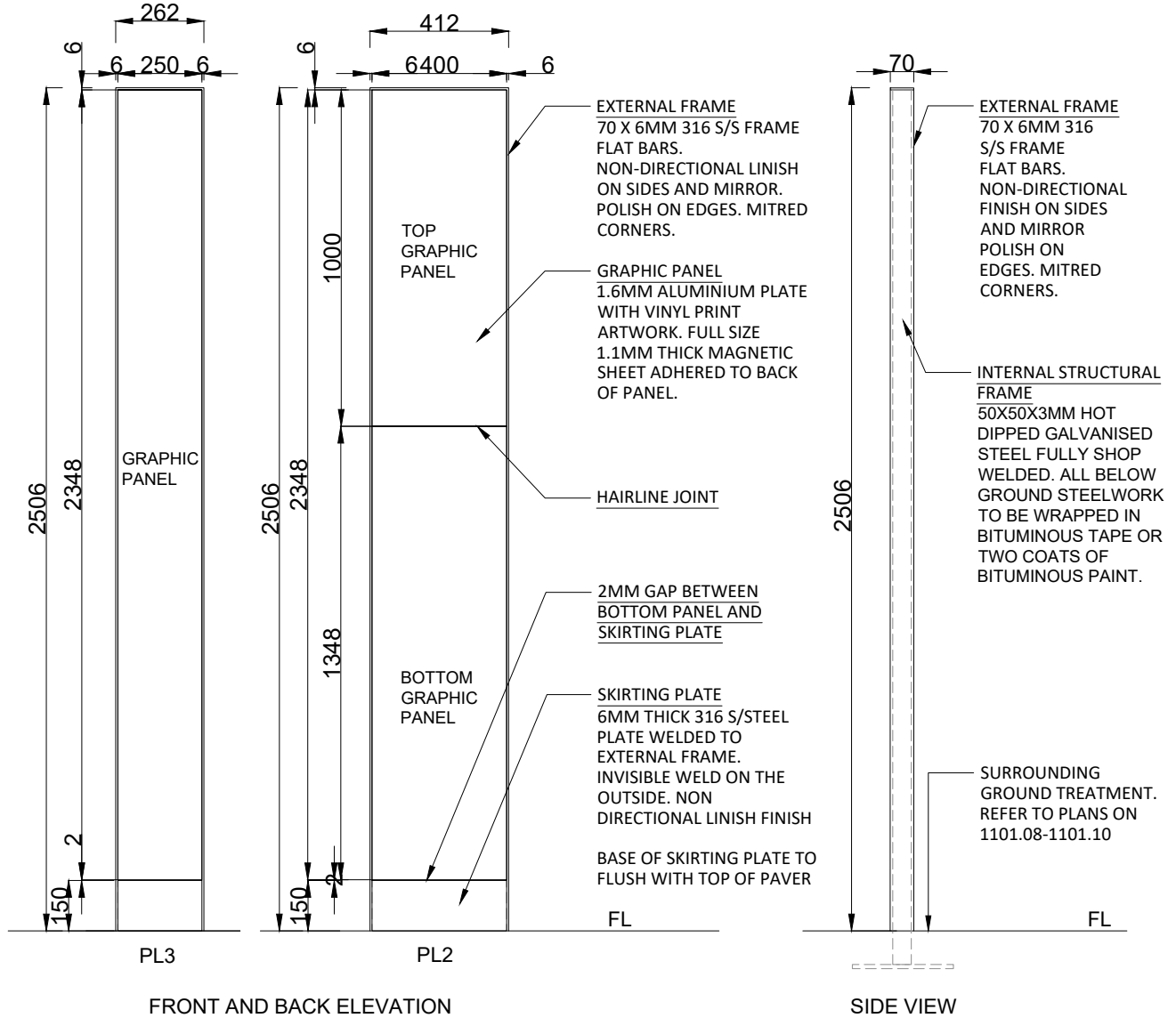
WAYFINDING SIGNAGE DESIGN AND INSTALLATION

REVIEWED: 09.07.2024

NEXT GENERATION WAYFINDING: PLINTH SIGN

PLINTH TYPE	NAME	HEIGHT (FROM FL) mm	WIDTH mm	THICKNESS mm	TOP GRAPHIC PANEL SIZE	BOTTOM GRAPHIC PANEL SIZE
PL 2	URBAN PEDESTRIAN PLINTH	2506	412	70	1000 x 400	1348 x 400
PL 3	NARROW PEDESTRIAN PLINTH	2506	262	70	2348 x 250	

CITY OF PERTH SUPPLIER AND INSTALLER	
NAME/ COMPANY	SIGNS AND LINES
CONTACT DETAILS	EMAIL: admin@signsandlines.com
	TEL: 08 9274 5151



NOTES

**WAYFINDING GRAPHIC SIGNAGE**  
VINYL PRINT WITH PROTECTIVE MATT CLEAR COATING.  
FINAL ARTWORK TO BE PROVIDED BY THE CITY.

**SHOP DRAWING**  
SHOP DRAWINGS MUST BE APPROVED PRIOR TO PROTOTYPE FABRICATION.

**MATERIAL**  
ALL STAINLESS STEEL TO BE GRADE 316 WITH PROTECTIVE COATING AND NO ENVIRONMENTAL CONTAMINATION.

**STRUCTURAL ENGINEERING**  
SIGNAGE FABRICATOR AND/OR INSTALLER IS RESPONSIBLE FOR ALL DRAWINGS BEING STRUCTURALLY CERTIFIED AND SIGNAGE BEING FABRICATED AS PER THE STRUCTURAL ENGINEERS SPECIFICATION.

ALL GROUND SURFACE TREATMENT TO BE MADE GOOD FOLLOWING COMPLETION OF INSTALLED WAYFINDING SIGN.

# PLINTH DESIGN - PL4/PL5 PARK/ INTERPRETIVE PLINTH

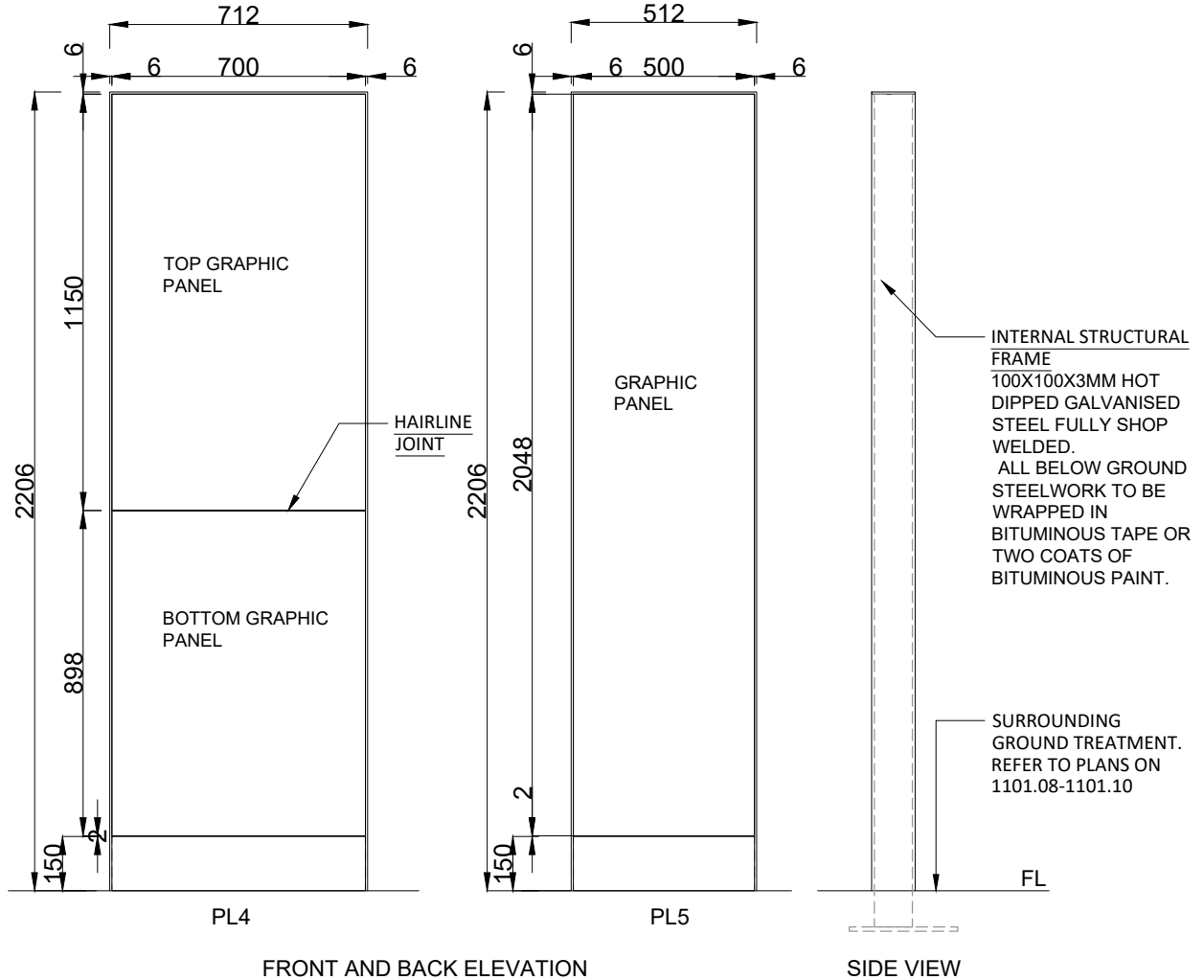
# 1101.05

WAYFINDING SIGNAGE DESIGN AND INSTALLATION

REVISED: 09.07.2024

NEXT GENERATION WAYFINDING: PLINTH SIGN						
PLINTH TYPE	NAME	HEIGHT (FROM FL) mm	WIDTH mm	THICKNESS mm	TOP GRAPHIC PANEL SIZE	BOTTOM GRAPHIC PANEL SIZE
PL 4	PARK INFORMATION PLINTH	2206	712	120	1150 x 700	898 x 700
PL 5	INTERPRETIVE PLINTH	2206	512	70	2048 x 500	

CITY OF PERTH SUPPLIER AND INSTALLER	
NAME/COMPANY	SIGNS AND LINES
CONTACT DETAILS	EMAIL: admin@signsandlines.com TEL: 08 9274 5151



**NOTES**

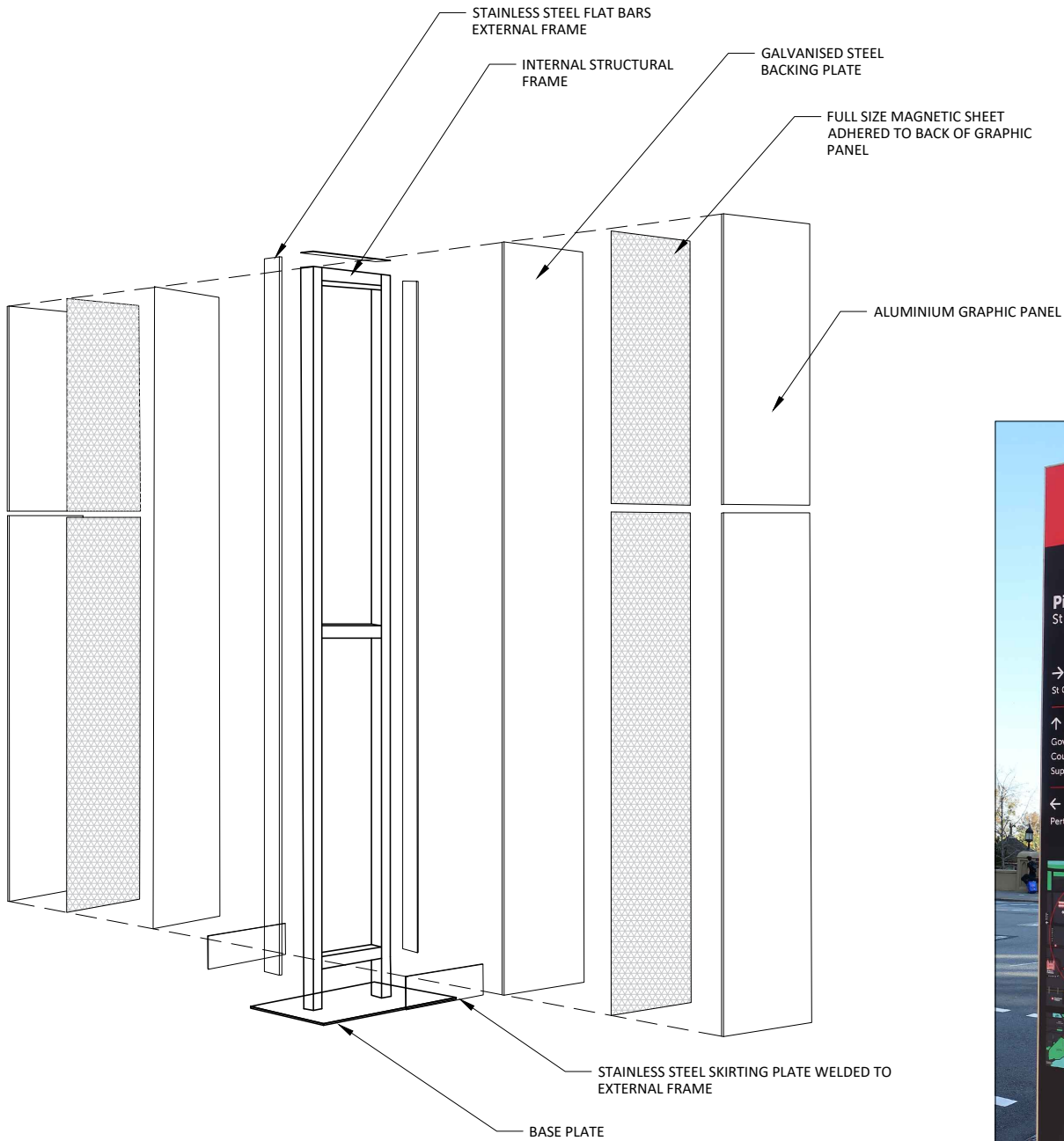
**WAYFINDING GRAPHIC SIGNAGE**  
VINYL PRINT WITH PROTECTIVE MATT CLEAR COATING.  
FINAL ARTWORK TO BE PROVIDED BY THE CITY.

**SHOP DRAWING**  
SHOP DRAWINGS MUST BE APPROVED PRIOR TO PROTOTYPE FABRICATION.

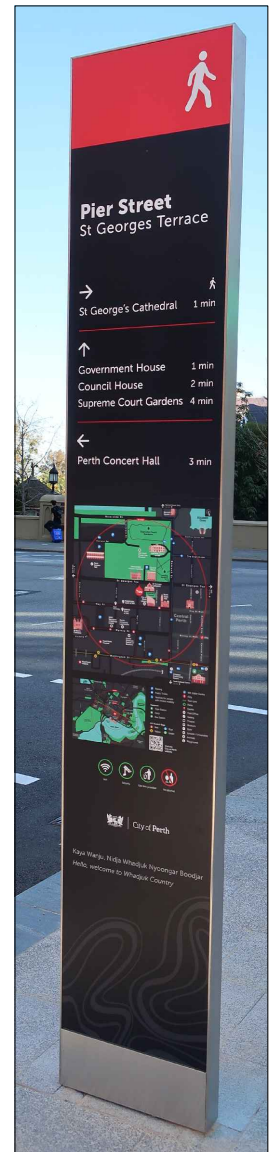
**MATERIAL**  
ALL STAINLESS STEEL TO BE GRADE 316 WITH PROTECTIVE COATING AND NO ENVIRONMENTAL CONTAMINATION.

**STRUCTURAL ENGINEERING**  
SIGNAGE FABRICATOR AND/OR INSTALLER IS RESPONSIBLE FOR ALL DRAWINGS BEING STRUCTURALLY CERTIFIED AND SIGNAGE BEING FABRICATED AS PER THE STRUCTURAL ENGINEERS SPECIFICATION.

ALL GROUND SURFACE TREATMENT TO BE MADE GOOD FOLLOWING COMPLETION OF INSTALLED WAYFINDING SIGN.



EXPLODED AXONOMETRIC TYPICAL PLINTH SIGN

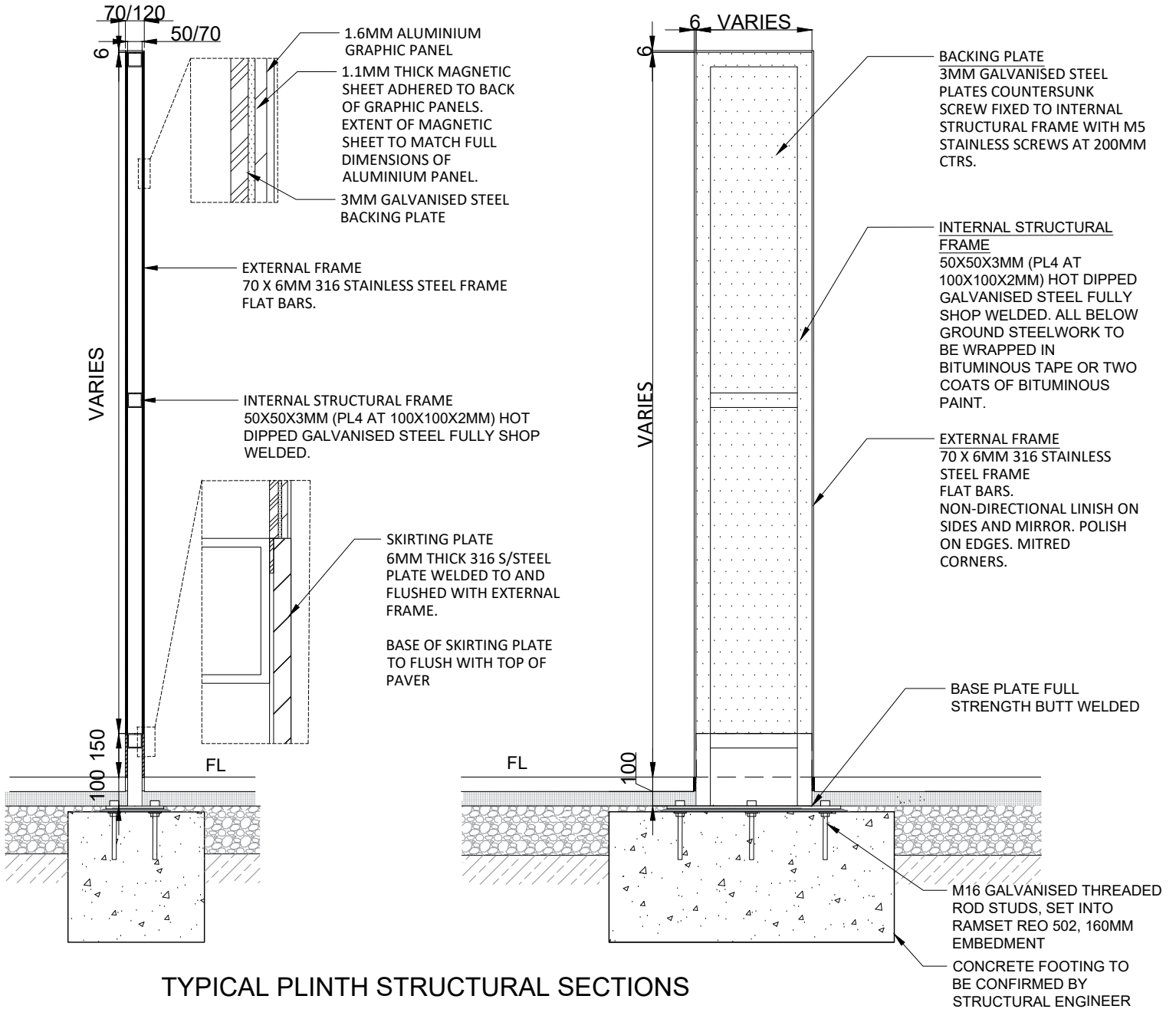


# TYPICAL PLINTH SECTION

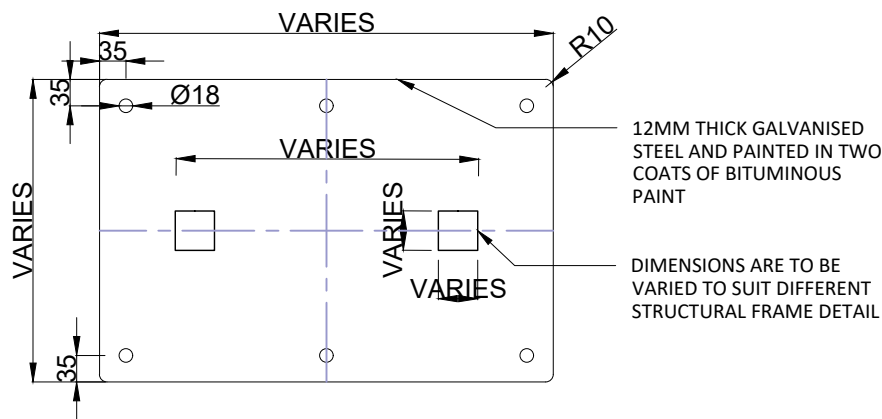
# 1101.07

WAYFINDING SIGNAGE DESIGN AND INSTALLATION

REVIEWED: 09.07.2024



TYPICAL PLINTH STRUCTURAL SECTIONS



BASE PLATE DETAIL

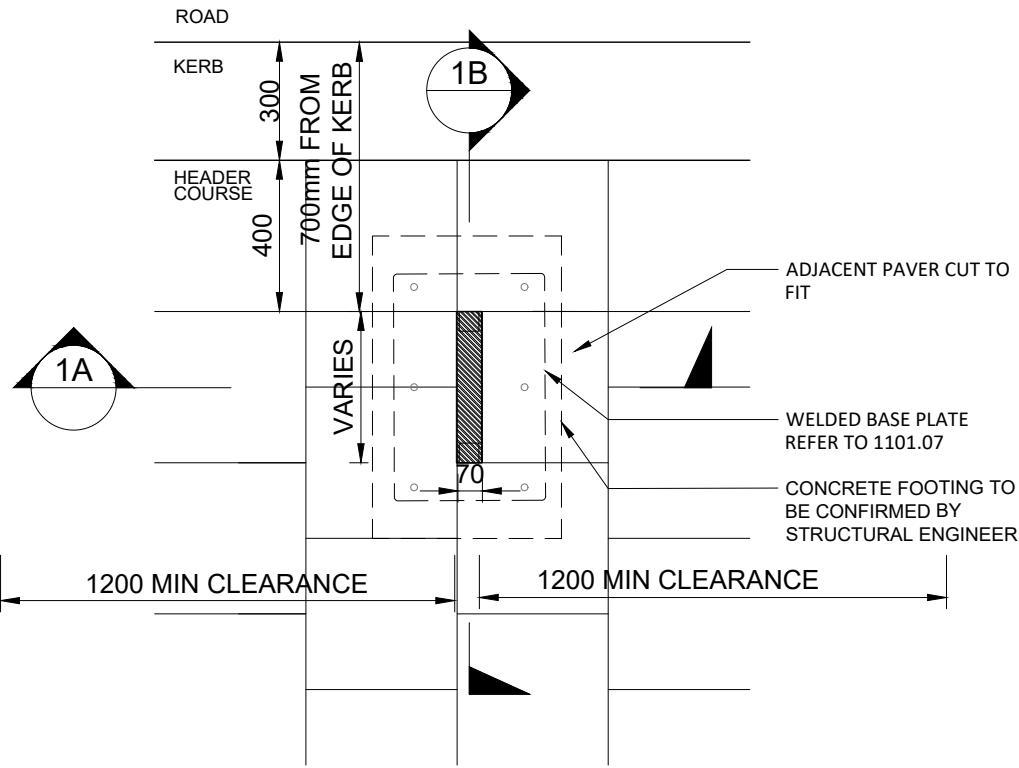
NEXT GENERATION WAYFINDING: PLINTH SIGN		
PLINTH TYPE	NAME	BASE PLATE SIZE mm
PL 1	GATEWAY PLINTH	400 x 600
PL 2	URBAN PEDESTRIAN PLINTH	400 x 600
PL 3	NARROW PEDESTRIAN PLINTH	400 x 450
PL 4	PARK INFORMATION PLINTH	600 x 900
PL 5	INTERPRETIVE PLINTH	600 x 900

# TYPICAL PLINTH IN CITY GREY PAVING

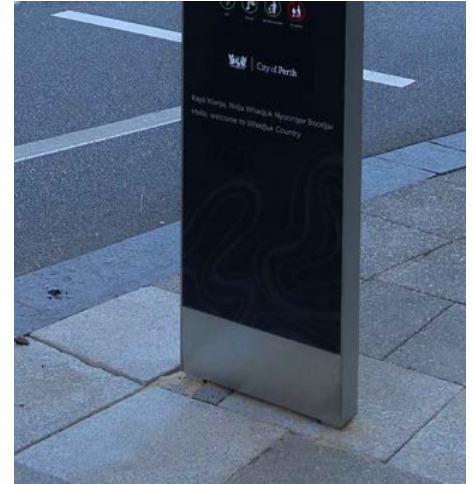
# 1101.08

WAYFINDING SIGNAGE DESIGN AND INSTALLATION

REVIEWED: 09.07.2024



PLAN - PLINTH ON URBANSTONE PAVING



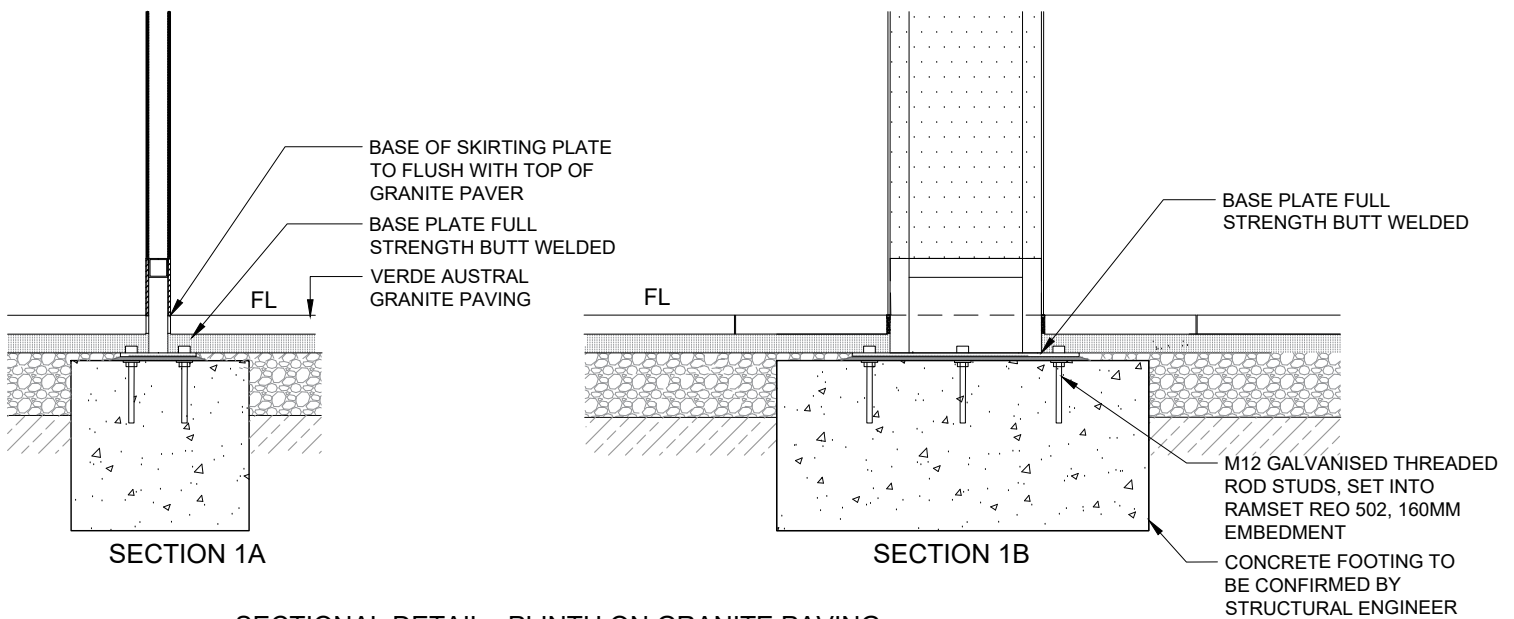
### NOTES

#### FOOTING

ALL CONCRETE FOOTINGS AND BOLTING SYSTEMS MUST BE APPROVED AND SIGNED OFF BY AN EXPERIENCED AND REGISTERED STRUCTURAL ENGINEER.

#### PAVING

- 400X400MM CITY GREY PAVING TO BE PAVED UP TO THE PLINTH.
- ALL EXPANSION JOINTS SHALL BE 75MM x10MM 'ABELFLEX' OR SIMILAR APPROVED, BUTYL MASTIC SEALANT (COLOUR: GREY) TO BE USED ON EXPANSION JOINTS.
- REFER TO BOOK 300 FOR CITY GREY PAVING DETAILS.



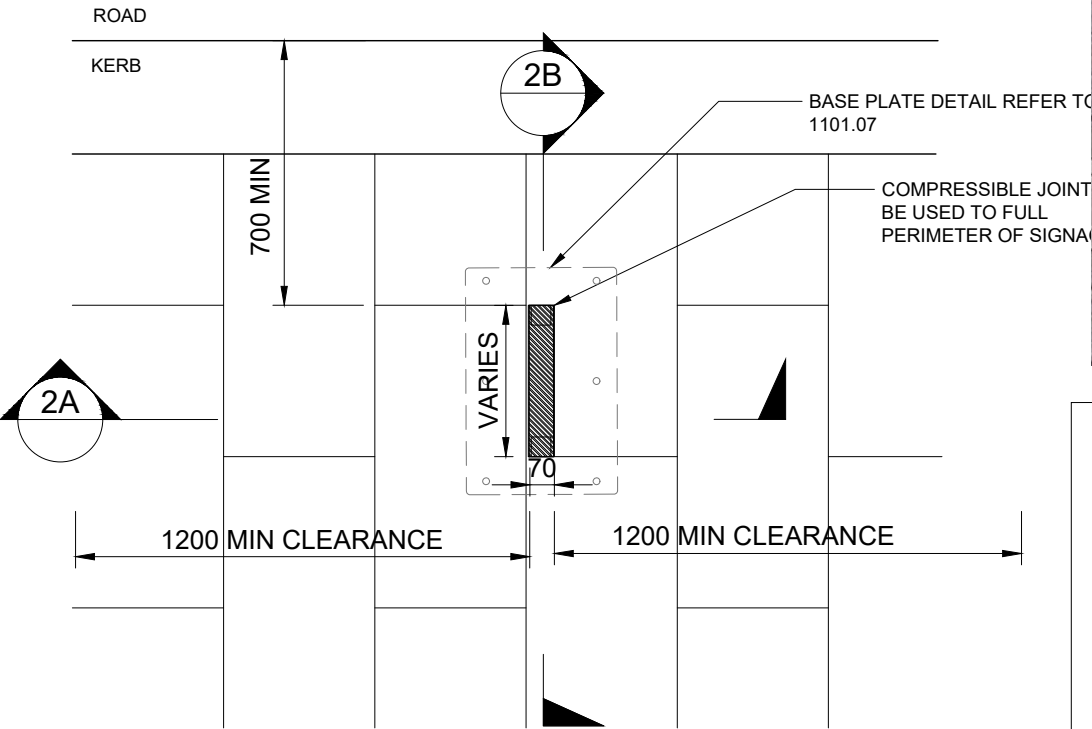
SECTIONAL DETAIL - PLINTH ON GRANITE PAVING

# TYPICAL PLINTH IN GRANITE PAVING

# 1101.09

WAYFINDING SIGNAGE DESIGN AND INSTALLATION

REVIEWED: 09.07.2024



PLAN - PLINTH ON GRANITE PAVING

### NOTES

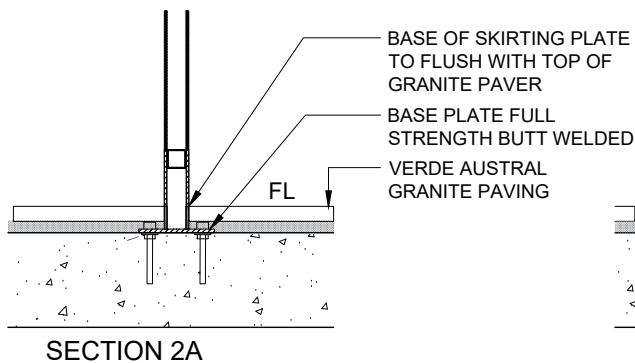
WHERE POSSIBLE PLACE JOINT IN PAVING TO ONE SIDE OF SIGNAGE TO MINIMISE CUTS.

#### FOOTING

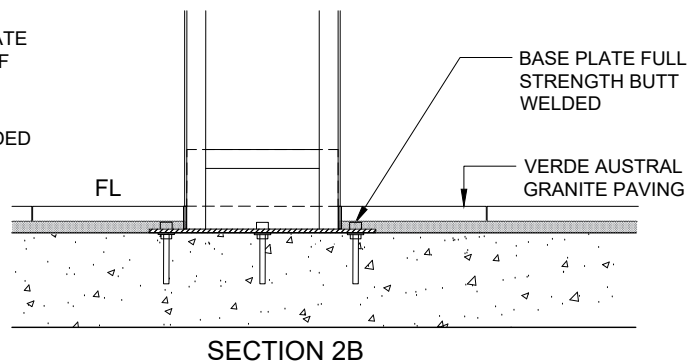
ALL CONCRETE FOOTINGS AND BOLTING SYSTEMS MUST BE APPROVED AND SIGNED OFF BY AN EXPERIENCED AND NER REGISTERED STRUCTURAL ENGINEER.

#### PAVING

1. 795X395MM GRANITE PAVING TO BE PAVED UP TO THE PLINTH.
2. JOINTS SHOULD BE 5±2MM WIDE NITOSEAL PU400 OR SIMILAR APPROVED. COLOUR SHALL MATCH THE ADJACENT GROUTED JOINTS.
3. REFER TO BOOK 300 FOR GRANITE PAVING DETAILS.



SECTION 2A



SECTION 2B

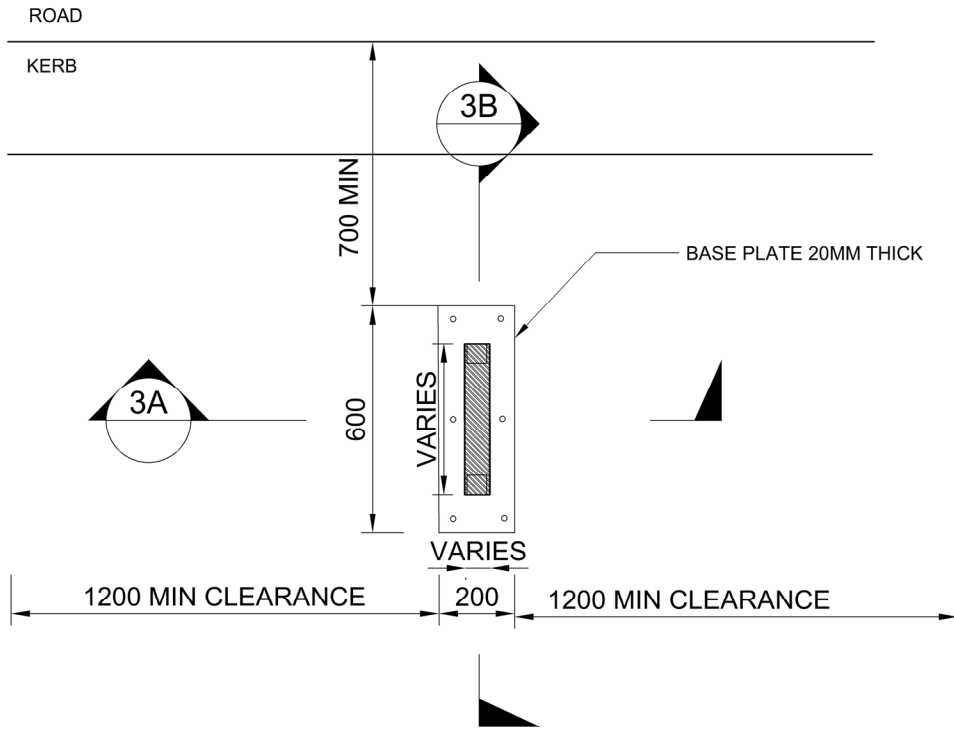
SECTIONAL DETAIL - PLINTH ON GRANITE PAVING

# TYPICAL PLINTH ABOVE GROUND

# 1101.10

WAYFINDING SIGNAGE DESIGN AND INSTALLATION

REVIEWED: 06.01.2025



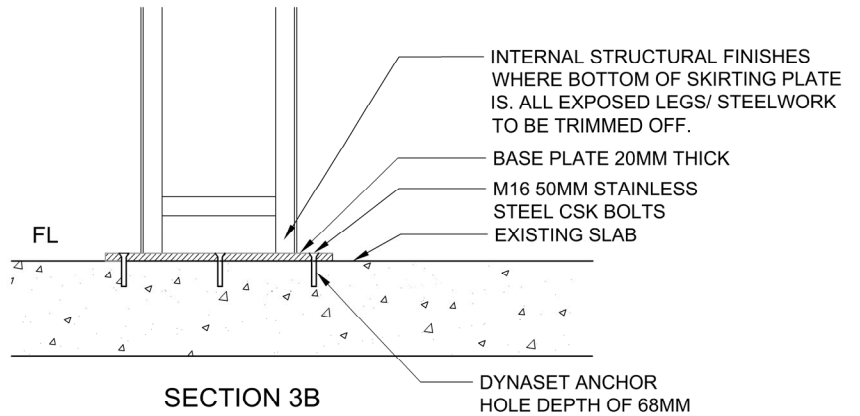
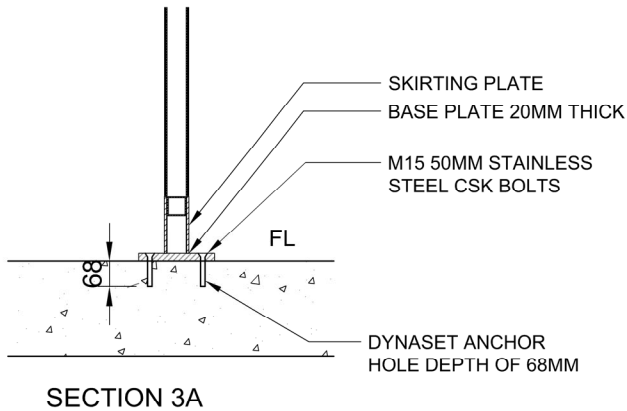
PLAN - PLINTH ABOVE GROUND

**NOTES:**

THE ABOVE GROUND INSTALLATION TYPE SHOULD BE USED ONLY IF THERE IS NO PAVING ON THE SUSPENDED SLAB.

ALL EXPOSED LEGS/ STEELWORK TO BE TRIMMED OFF- TO NOTIFY SUPPLIER PRIOR TO FABRICATION.

FIX SIGN TO SLAB WITH 6NO-M16 50MM STAINLESS STEEL CSK BOLTS, THAT ARE FASTENED INTO M16 65MM S/S DYNASET ANCHORS. HOLE DEPTH OF 68MM



SECTIONAL DETAIL - PLINTH ABOVE GROUND

# WALL SIGN - WL1 / WL2 WALL MOUNTED MAP/ DIRECTIONAL

# 1102.00

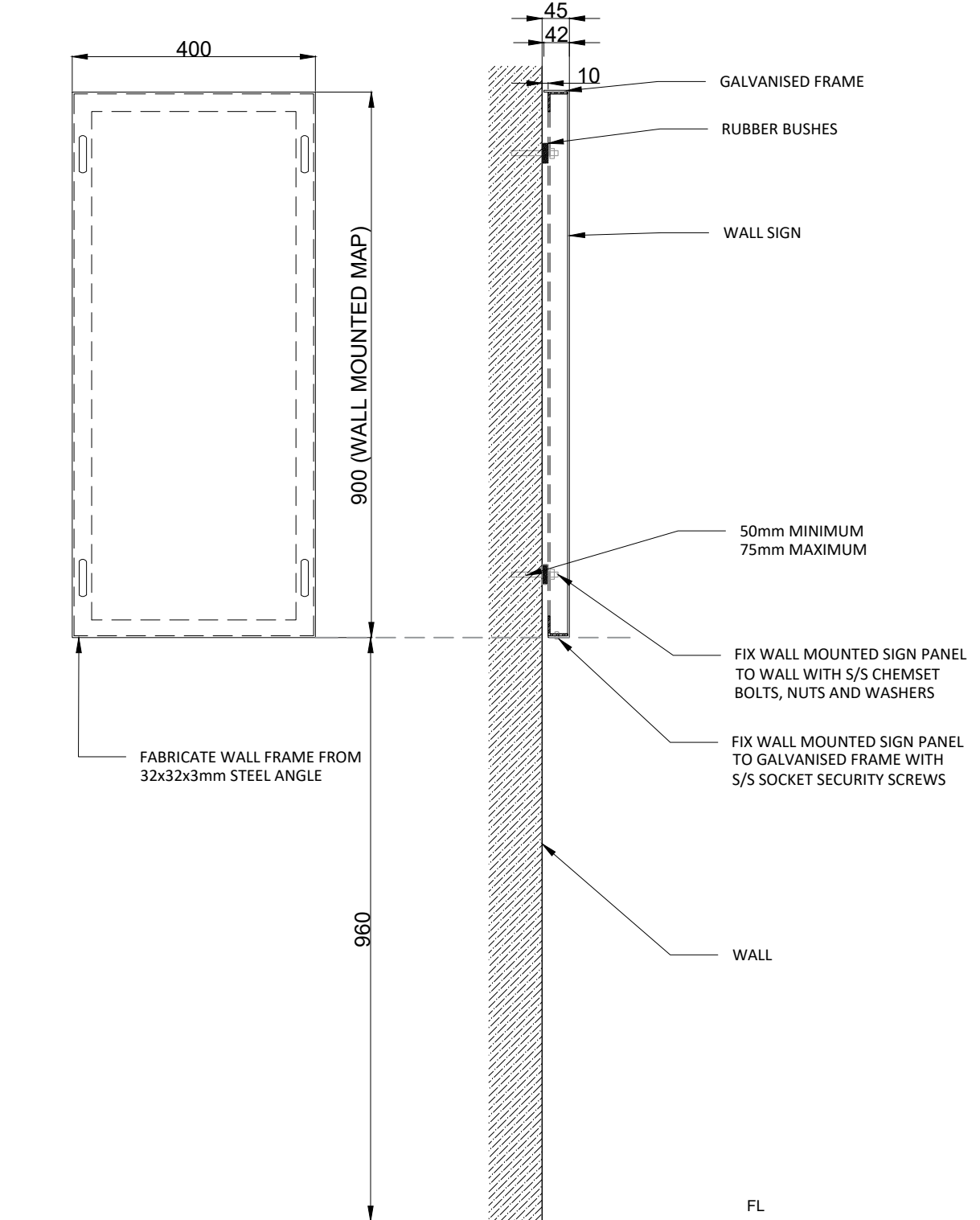
WAYFINDING SIGNAGE DESIGN AND INSTALLATION

REVIEWED: 09.07.2024

NEXT GENERATION WAYFINDING: WALL SIGN

TYPE	NAME	HEIGHT mm	WIDTH mm	THICKNESS mm	INSTALLATION
WL 1	WALL MOUNTED MAP	900-1000	400	42	INSTALLED 960mm FROM FL DEPENDANT ON INCLUSION OF REGULATORY SIGNAGE (100mm)
WL 2	WALL MOUNTED DIRECTIONAL	700	400	42	INSTALLED 960mm FROM FL

CITY OF PERTH SUPPLIER AND INSTALLER	
NAME/ COMPANY	SIGNS AND LINES
CONTACT DETAILS	EMAIL: admin@signsandlines.com
	TEL: 08 9274 5151



WALL MOUNTED SIGN - ELEVATION AND SECTION

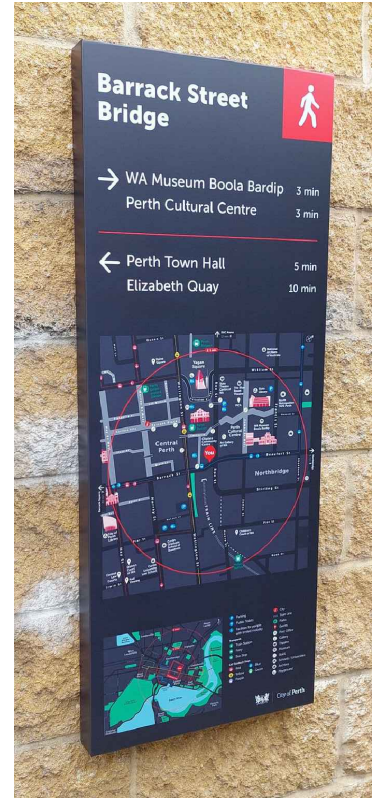
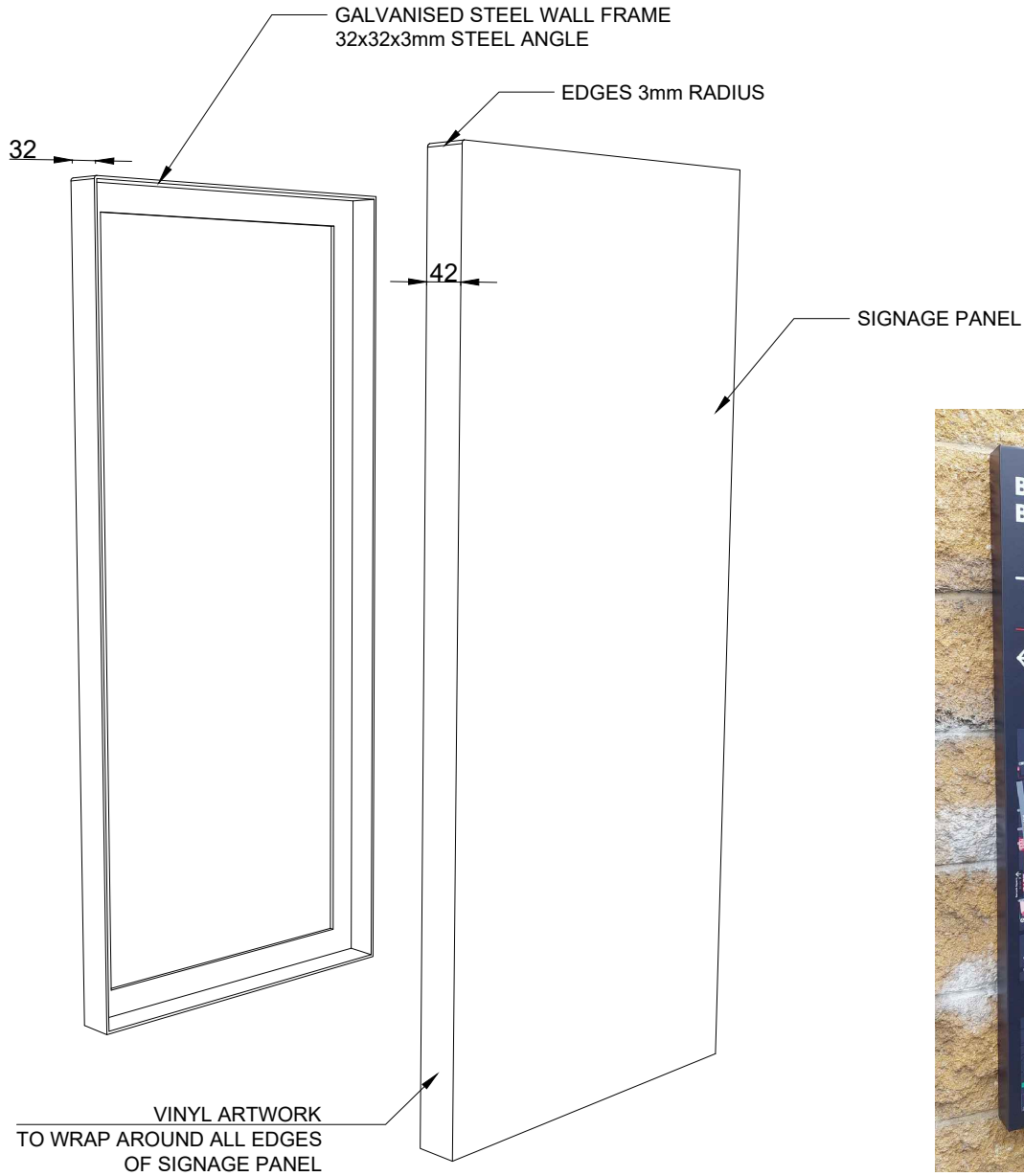


# WALL SIGN - WL1 / WL2 WALL MOUNTED MAP/ DIRECTIONAL

# 1102.01

WAYFINDING SIGNAGE DESIGN AND INSTALLATION

REVIEWED: 09.07.2024



EXPLODED AXONOMETRIC WALL MOUNTED SIGN

# WALL SIGN - WL3 WALL MOUNTED LANEWAY

# 1102.02

WAYFINDING SIGNAGE DESIGN AND INSTALLATION

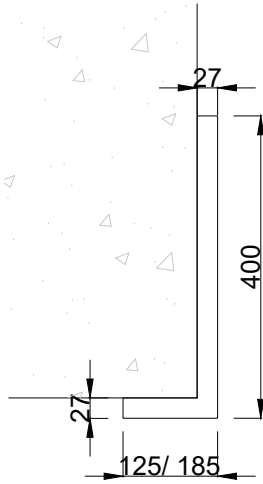
REVIEWED: 09.07.2024

NEXT GENERATION WAYFINDING: WALL SIGN

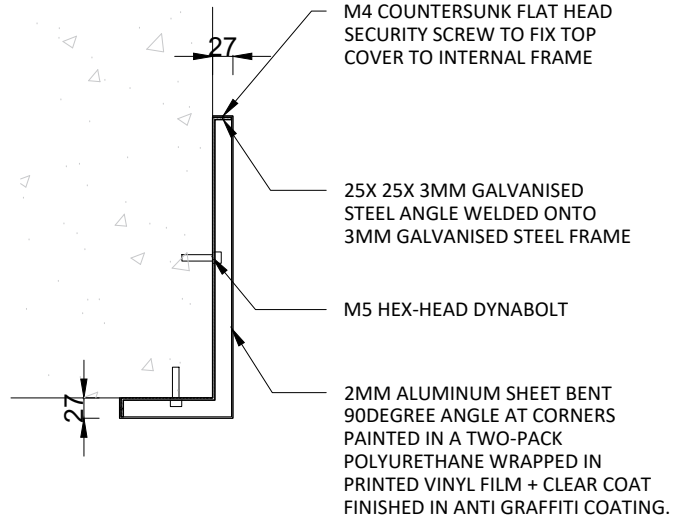
TYPE	NAME	HEIGHT mm	WIDTH mm	THICKNESS mm	INSTALLATION
WL 3	WALL MOUNTED LANEWAY	700	400 and folded side 125 / 185	27	INSTALLED 960mm FROM FL

CITY OF PERTH SUPPLIER AND INSTALLER

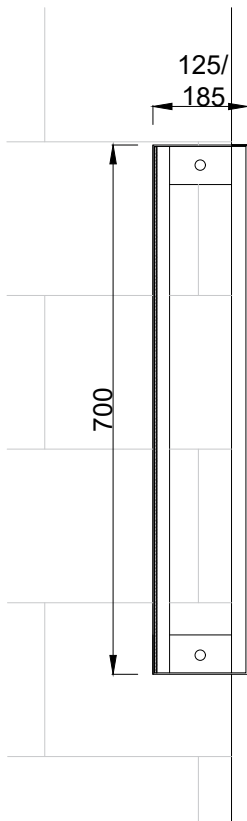
NAME/COMPANY	SIGNS AND LINES
CONTACT DETAILS	EMAIL: admin@signsandlines.com TEL: 08 9274 5151



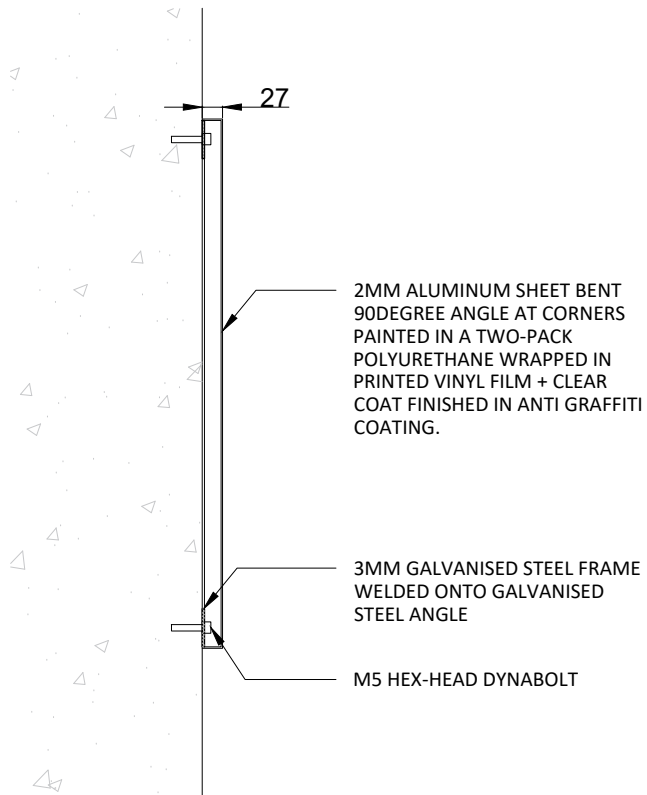
PLAN



PLAN SECTION



FRONT SECTION



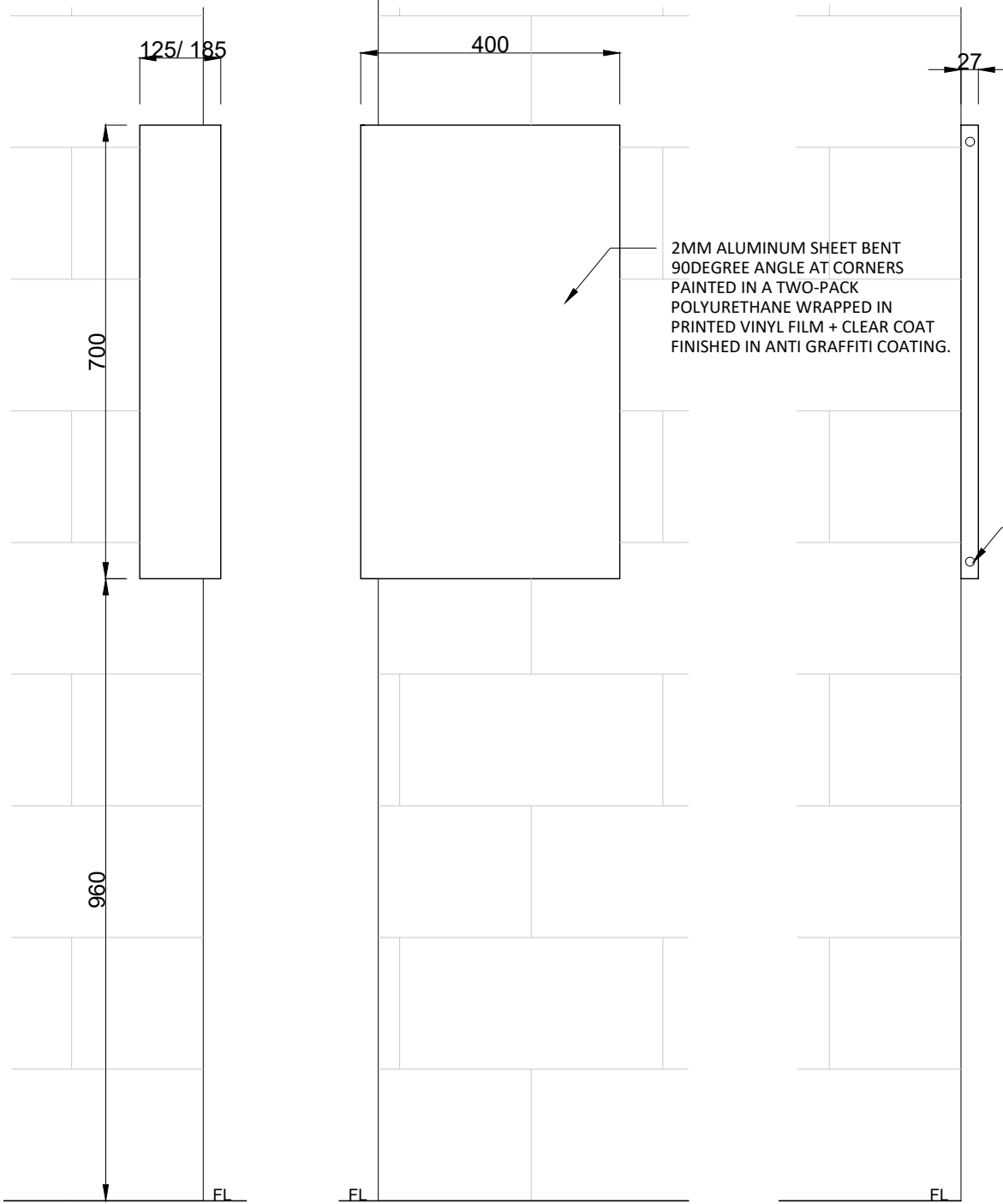
SIDE SECTION

# WALL SIGN - WL3 WALL MOUNTED LANEWAY

# 1102.03

WAYFINDING SIGNAGE DESIGN AND INSTALLATION

REVIEWED: 09.07.2024



# FINGER SIGN - FG1 FINGER SIGN ON MFP

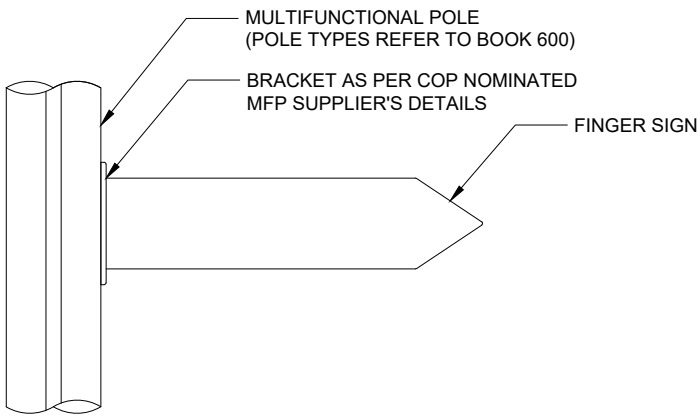
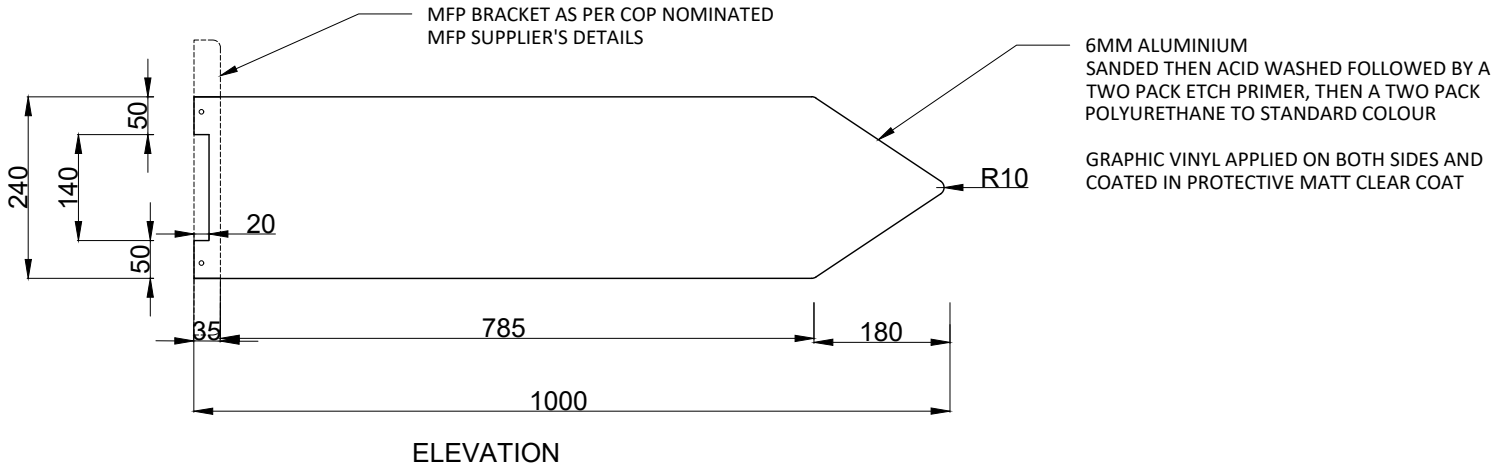
# 1103.00

WAYFINDING SIGNAGE DESIGN AND INSTALLATION

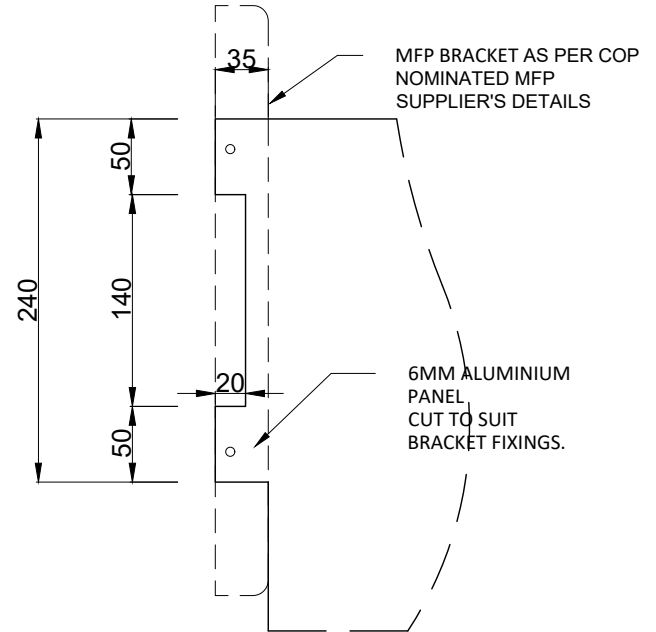
REVIEWED: 09.07.2024

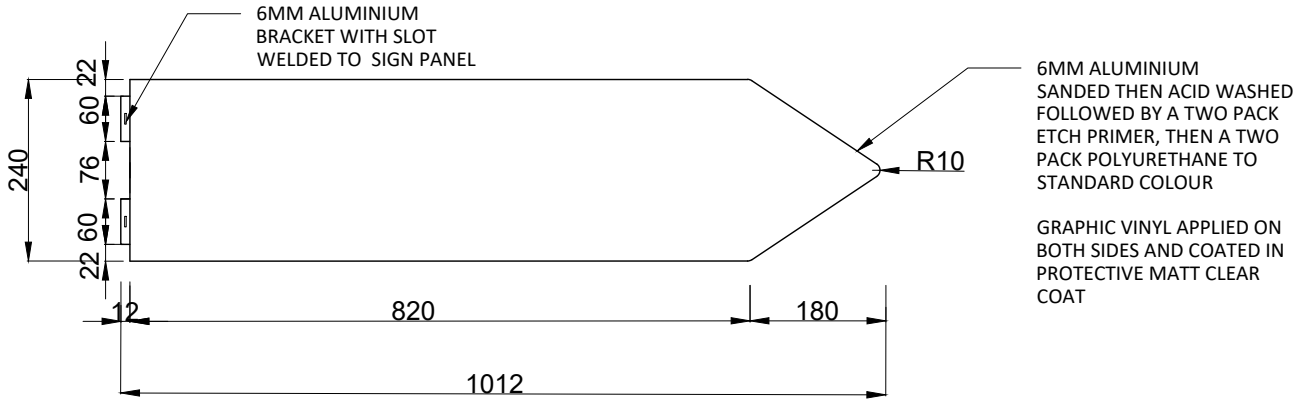
NEXT GENERATION WAYFINDING: FINGER SIGN				
TYPE	NAME	HEIGHT mm	LENGTH mm	THICKNESS mm
FG1	FINGER SIGN WITH MFP BRACKET	240	1000	6
FG2	FINGER SIGN WITH BAND CLAMP	240	1000	6

CITY OF PERTH SUPPLIER AND INSTALLER	
NAME/ COMPANY	SIGNS AND LINES
CONTACT DETAILS	EMAIL: admin@signsandlines.com
	TEL: 08 9274 5151

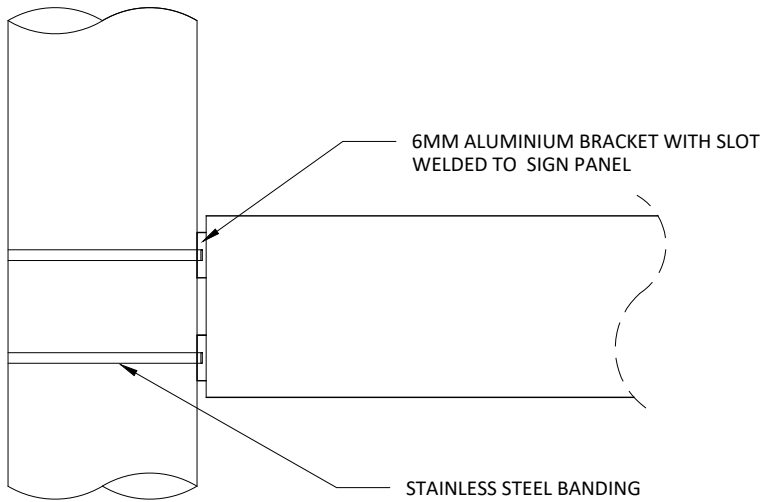


**FINGER SIGN MOUNTED ON MFP**





FINGER SIGN PANEL



FINGER SIGN BAND CLAMP

# FLAG SIGN - FL1 FLAG SIGN ON MFP

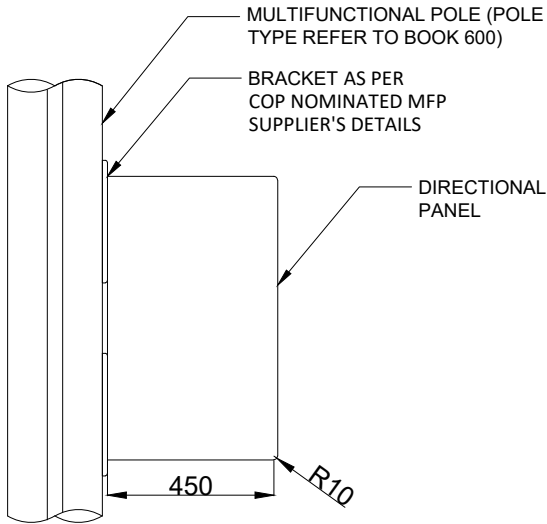
# 1103.02

WAYFINDING SIGNAGE DESIGN AND INSTALLATION

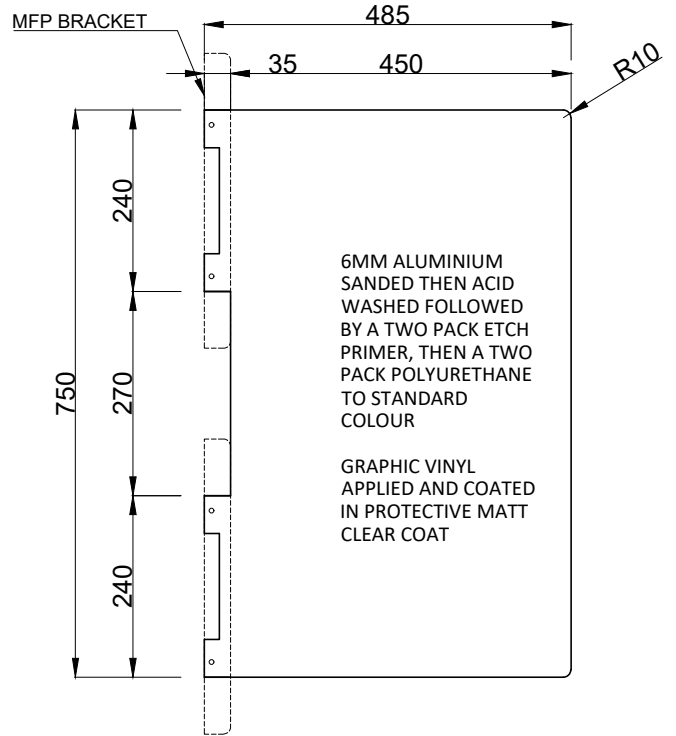
REVIEWED: 09.07.2024

NEXT GENERATION WAYFINDING: FLAG SIGN				
TYPE	NAME	HEIGHT mm	WIDTH mm	THICKNESS mm
FL1	FLAG SIGN WITH MFP BRACKET	750	462	6
FL2	FLAG SIGN WITH BAND CLAMP	750	462	6

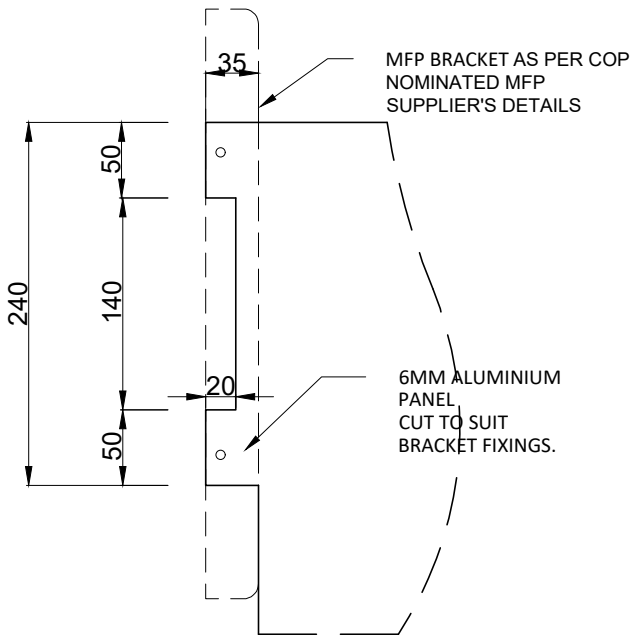
CITY OF PERTH SUPPLIER AND INSTALLER	
NAME/COMPANY	SIGNS AND LINES
CONTACT DETAILS	EMAIL: admin@signsandlines.com TEL: 08 9274 5151



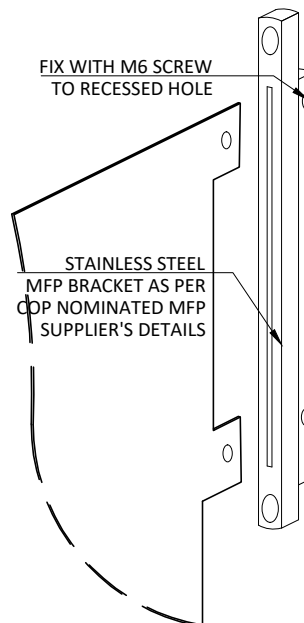
FLAG SIGN ON MFP



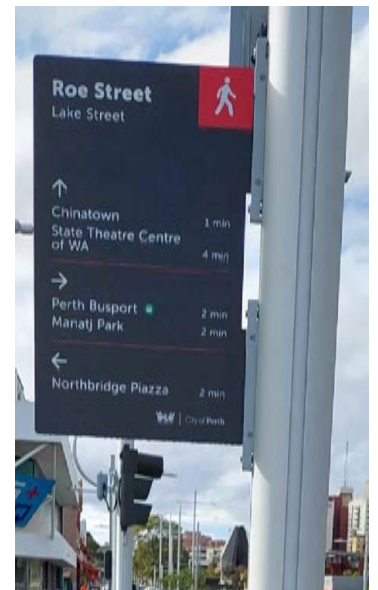
FLAG SIGN PANEL



TYPICAL DETAIL



MFP BRACKET DETAIL - AD COOTE

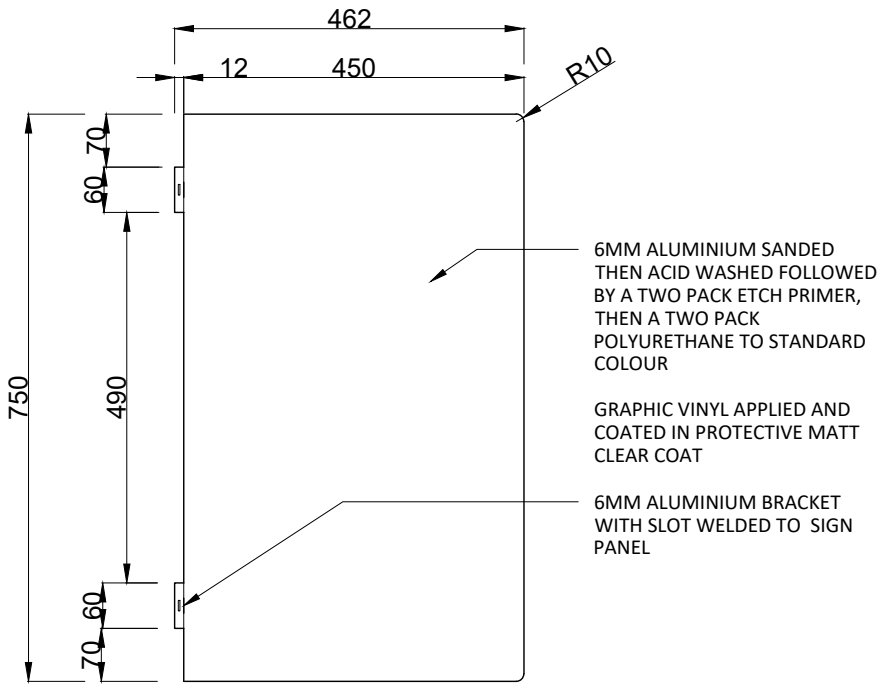


# FLAG SIGN - FL2 FLAG SIGN BAND CLAMP

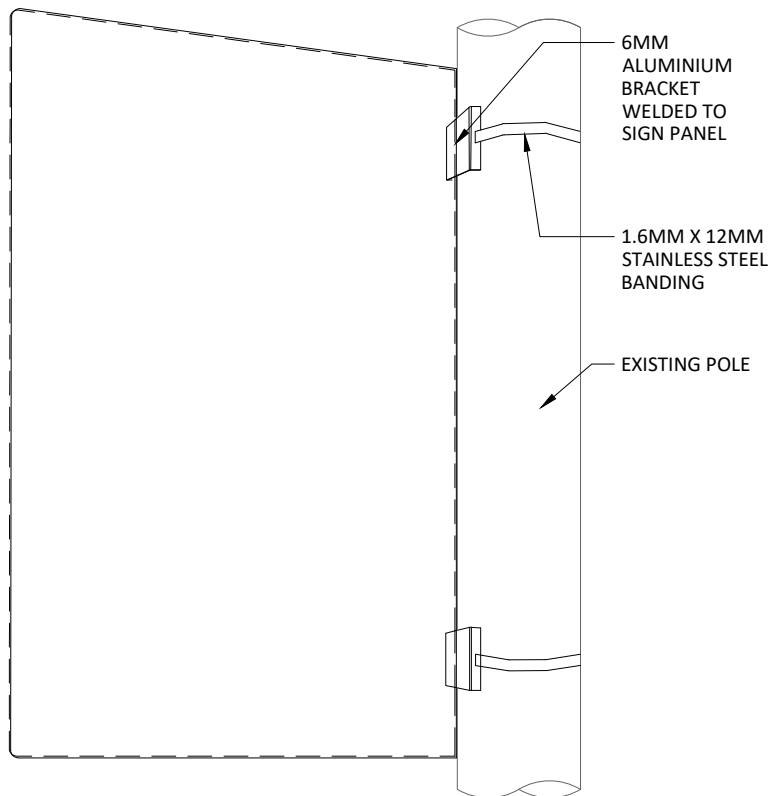
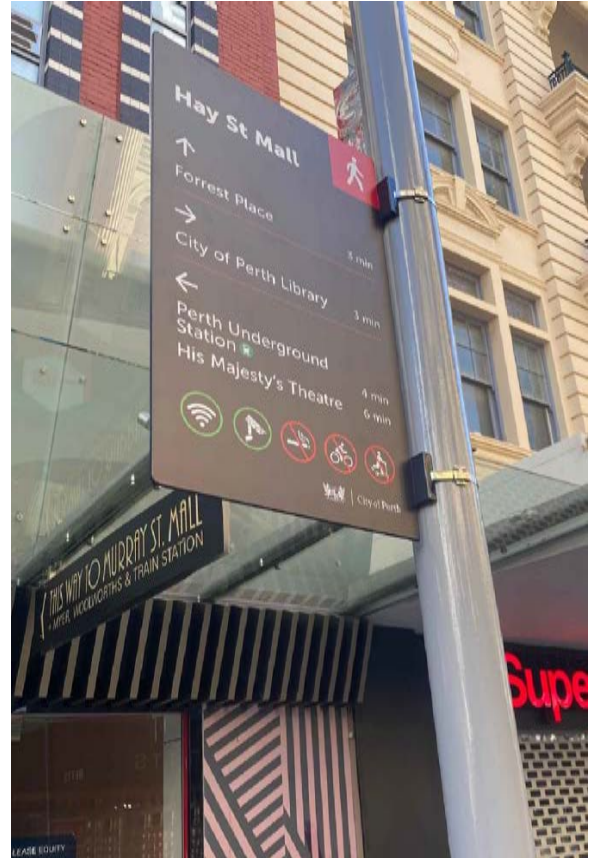
# 1103.03

WAYFINDING SIGNAGE DESIGN AND INSTALLATION

REVIEWED: 09.07.2024



FLAG SIGN PANEL



FLAG SIGN BAND CLAMPING

# ACTIVE TRANSPORT SIGN - AT1/ AT2

# 1103.04

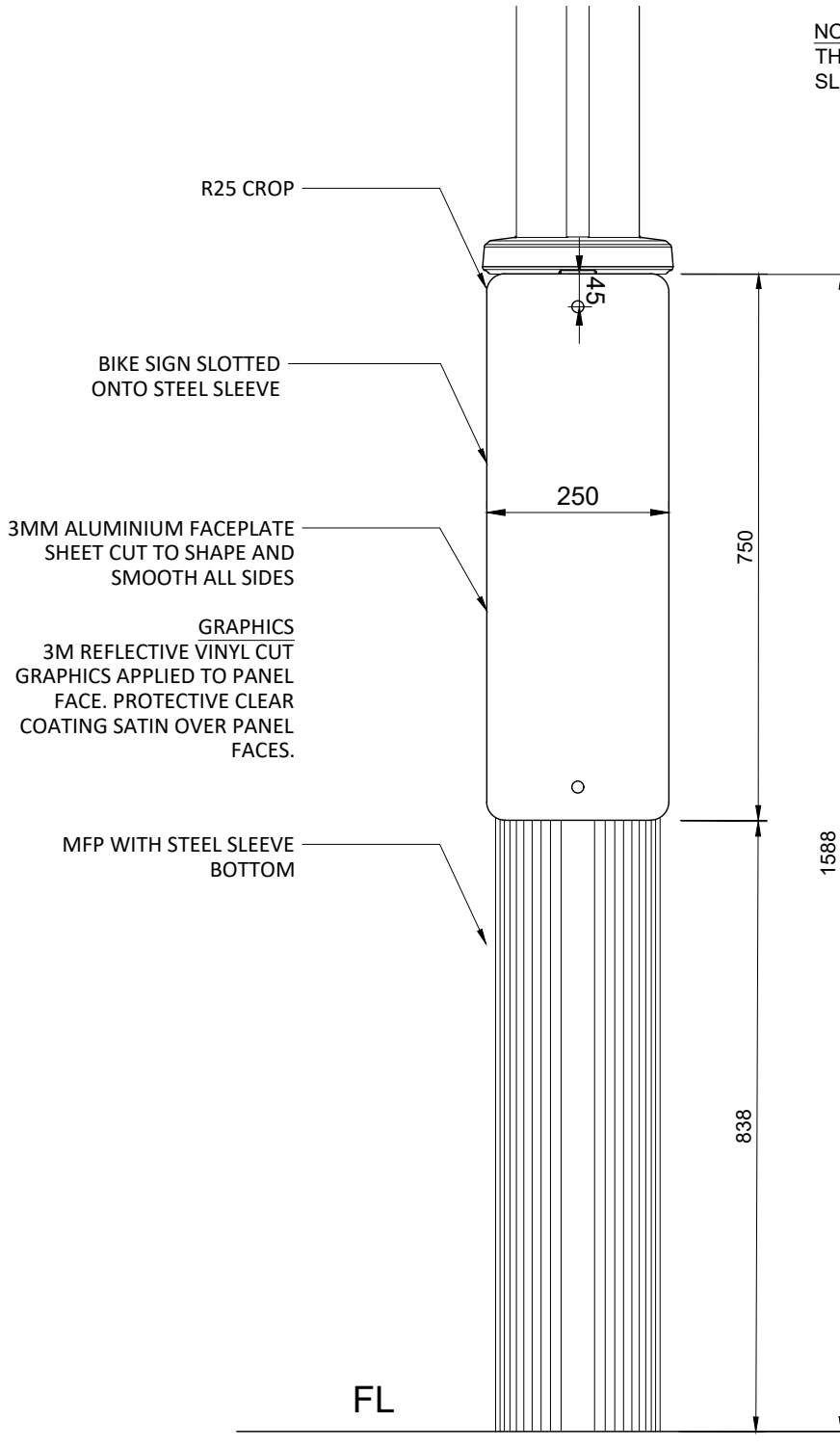
WAYFINDING SIGNAGE DESIGN AND INSTALLATION

REVIEWED: 09.07.2024

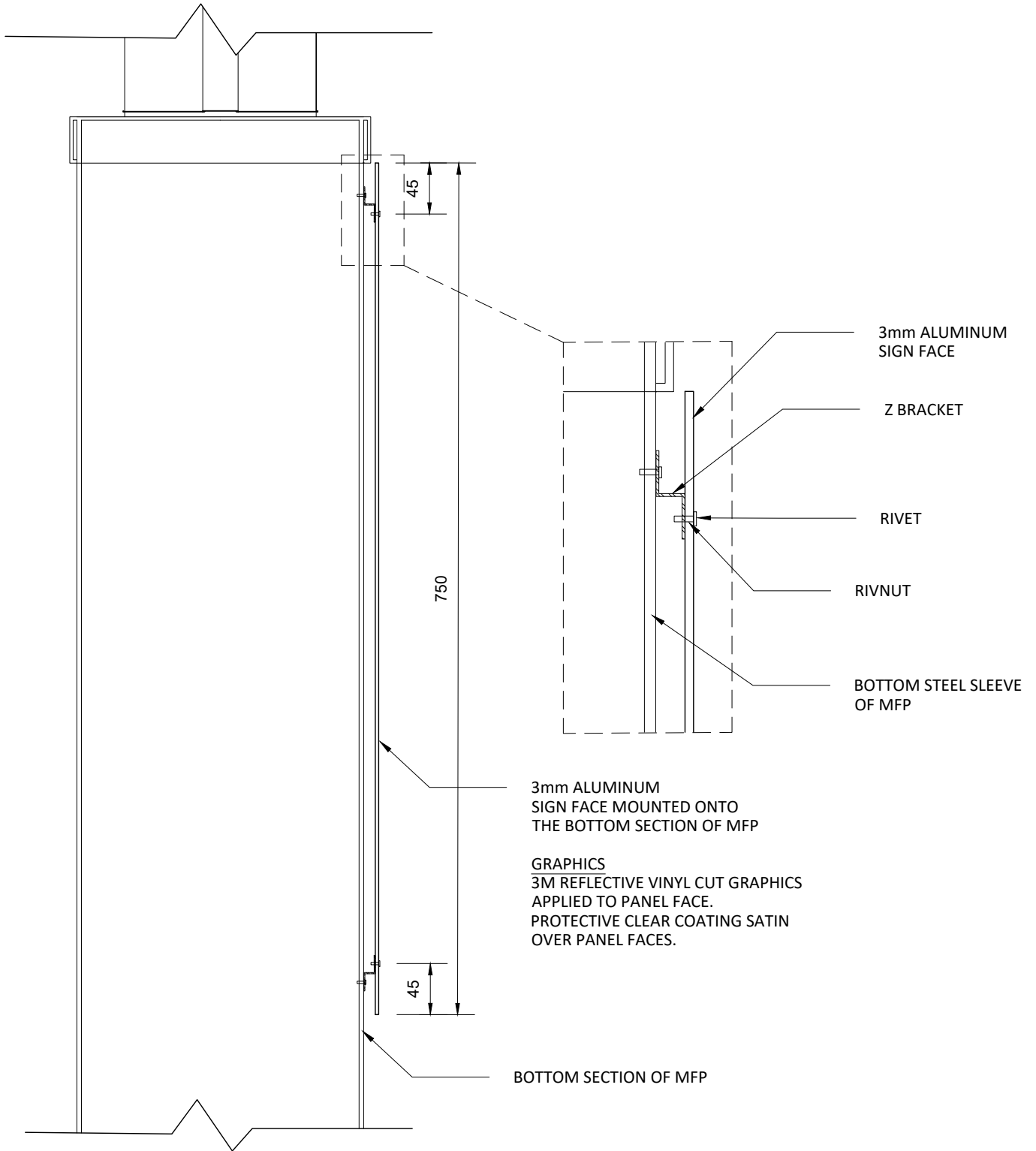
NEXT GENERATION WAYFINDING: ACTIVE TRANSPORT SIGN				
TYPE	NAME	HEIGHT mm	WIDTH mm	THICKNESS mm
AT 1	ACTIVE TRANSPORT POLE MOUNTED DIRECTIONAL	750	250	3
AT 2	ACTIVE TRANSPORT POLE MOUNTED LINEAR MAP	750	250	3

CITY OF PERTH SUPPLIER AND INSTALLER	
NAME/ COMPANY	SIGNS AND LINES
CONTACT DETAILS	EMAIL: admin@signsandlines.com TEL: 08 9274 5151

**NOTE**  
THE SIGN SHOULD BE MOUNTED ON THE BOTTOM SLEEVE OF THE MFP. AVOID HATCH COVERS.







SECTIONAL DETAIL

# INTERPRETIVE SIGN - IN1/ IN2/ IN3

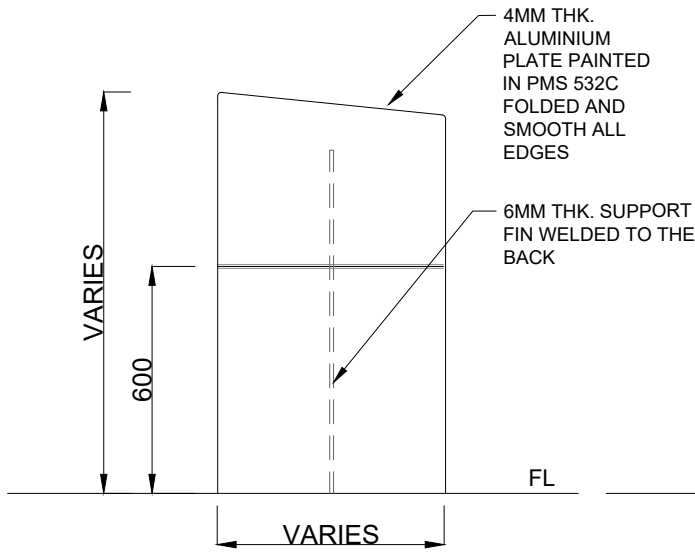
# 1104.00

WAYFINDING SIGNAGE DESIGN AND INSTALLATION

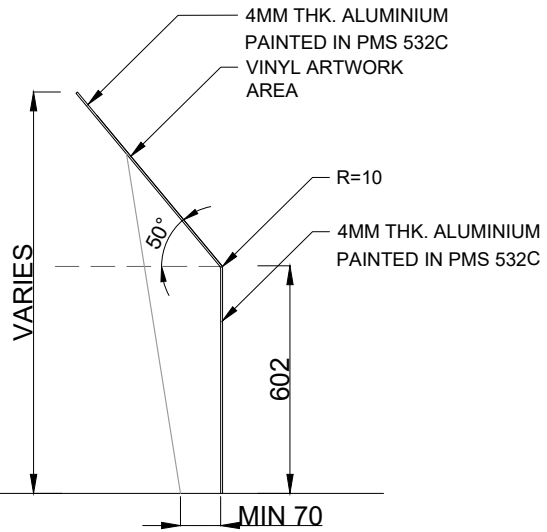
REVIEWED: 09.07.2024

NEXT GENERATION WAYFINDING: INTERPRETIVE SIGN				
TYPE	NAME	HEIGHT (FROM FL) mm	WIDTH mm	THICKNESS mm
IN 1	INTERPRETIVE SIGN - SMALL	900-1200	400-600	4
IN 2	INTERPRETIVE SIGN - MEDIUM	900-1200	601-800	4
IN 3	INTERPRETIVE SIGN - LARGE	900-1200	801-1200	4

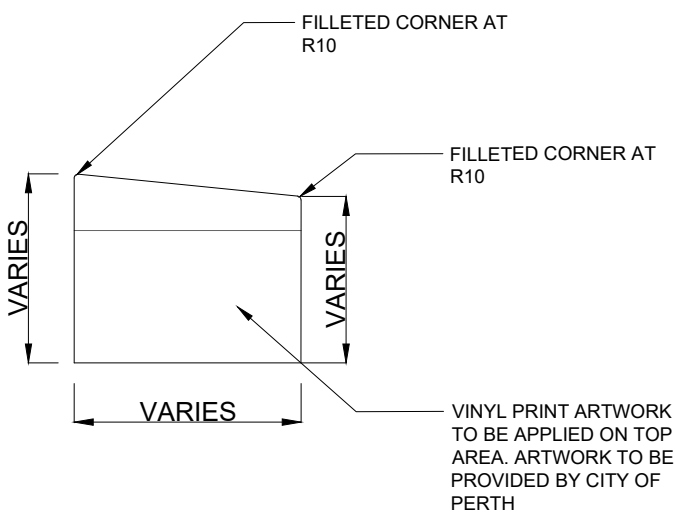
CITY OF PERTH SUPPLIER AND INSTALLER	
NAME/ COMPANY	SIGNS AND LINES
CONTACT DETAILS	EMAIL: admin@signsandlines.com
	TEL: 08 9274 5151



FRONT ELEVATION



SIDE ELEVATION



TOP ARTWORK PANEL

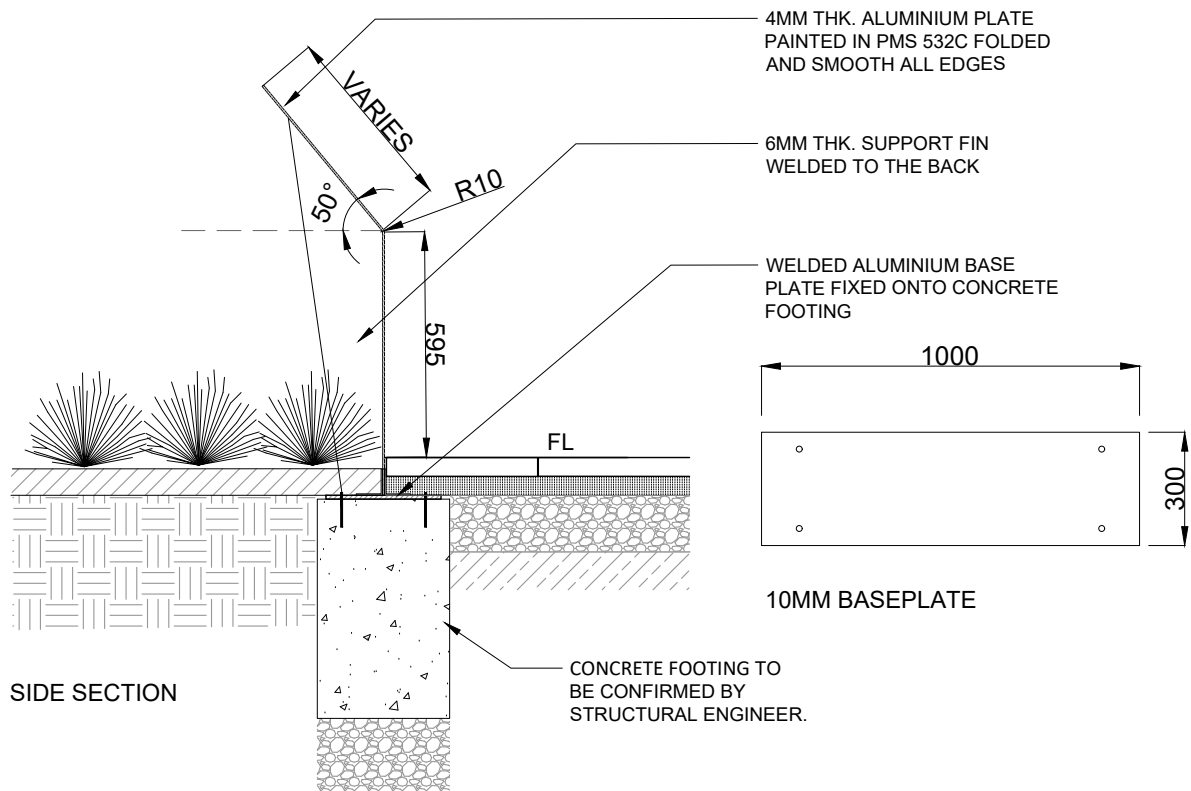
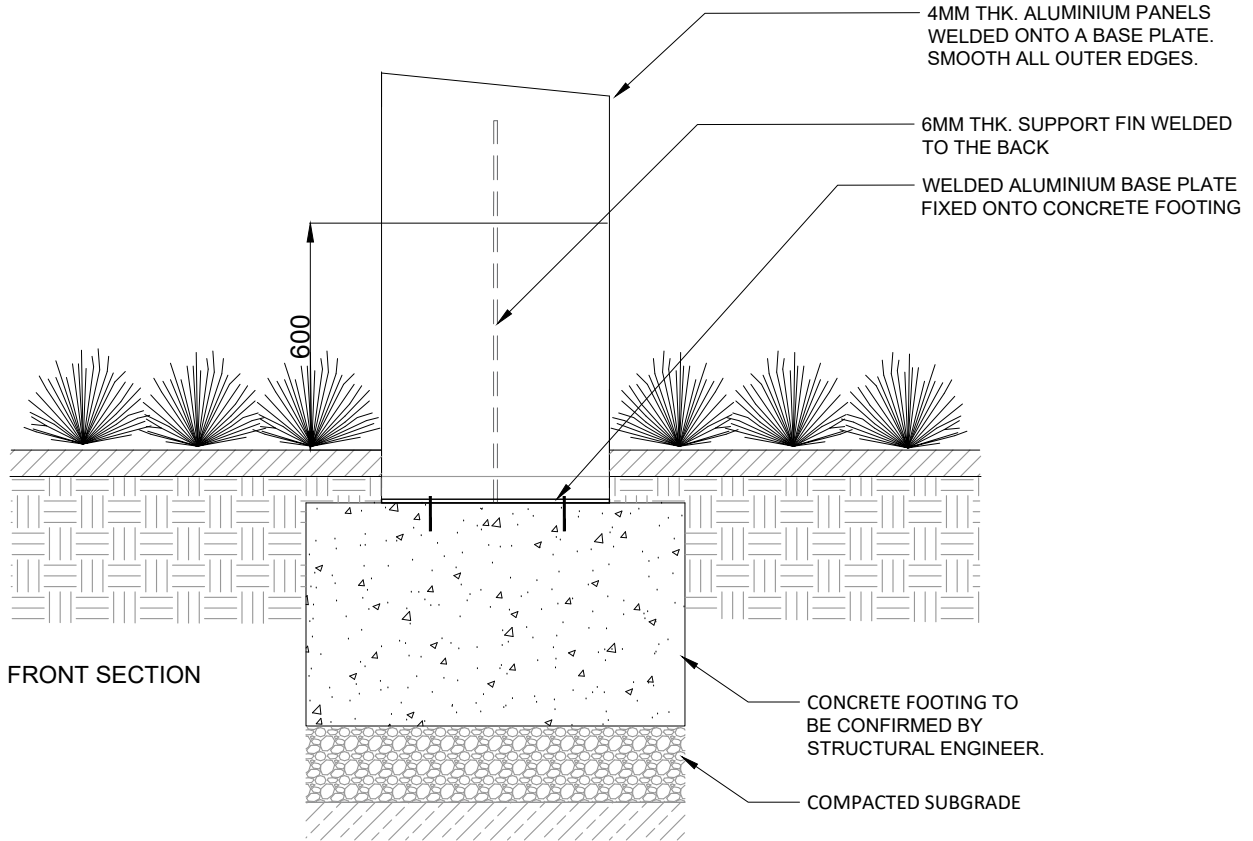


# INTERPRETIVE SIGN - IN1/ IN2/ IN3

# 1104.01

WAYFINDING SIGNAGE DESIGN AND INSTALLATION

REVIEWED: 09.07.2024

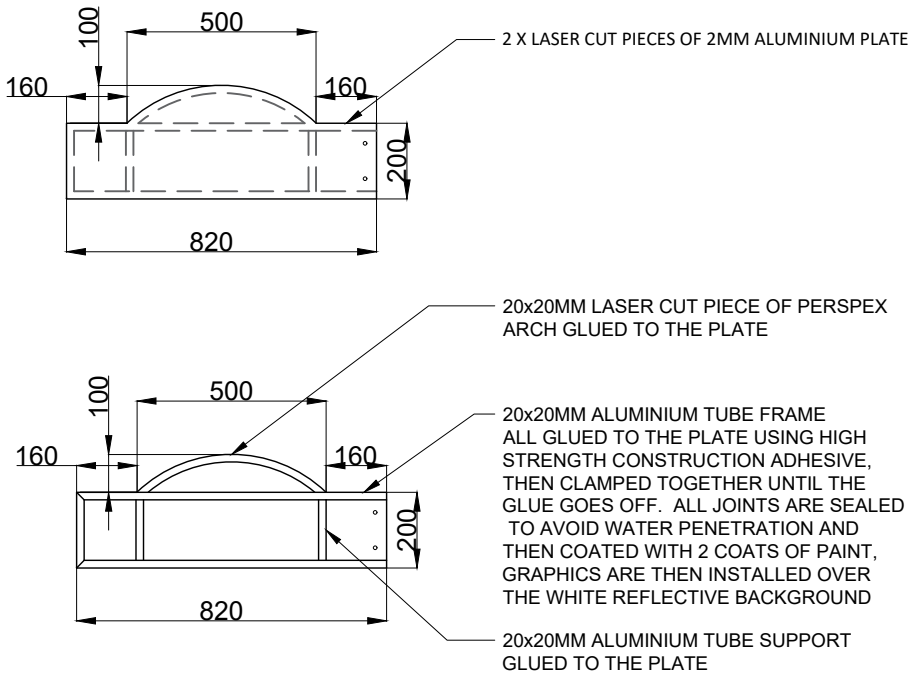


# STREET NAME SIGN

# 1105.00

WAYFINDING SIGNAGE DESIGN AND INSTALLATION

REVIEWED: 09.07.2024



**NOTE:**

SIGNAGE MUST COMPLY WITH AUSTRALIAN STANDARDS:

1. STREET NAME PLATES AND BRACKETS ARE EXCLUSIVELY MANUFACTURED AT THE CITY OF PERTH DEPOT
2. FOR LETTERING AND NUMERALS REFER TO AS 1744-2015 AND TO BE CONFIRMED BY CITY OF PERTH DEPOT
3. REFER TO AS 1743-2023 AND AS 1742.5-2017 FOR ROAD SIGN SPECIFICATIONS.
4. DESIRED SIGN PLATE MOUNTING HEIGHT IS TO BE NOT LESS THAN 2500MM AND NOT MORE THAN 3000MM FROM GROUND LEVEL TO UNDERSIDE OF THE SIGN. REFER TO 2.8 MOUNTING HEIGHT- AS 1742.5-2017 FOR FURTHER DETAILS.

CITY OF PERTH SUPPLIER AND INSTALLER	
NAME/COMPANY	CITY OF PERTH DEPOT
CONTACT DETAILS	ISA.INBOX@CITYOFPERTH.WA.GOV.AU

TYPICAL STREET NAME SIGN DESIGN

